

626033-2 ✓ ACTIVE

TE Internal #: 626033-2

Ring Terminals & Spade Terminals, Ring Tongue, 17 – 13 AWG

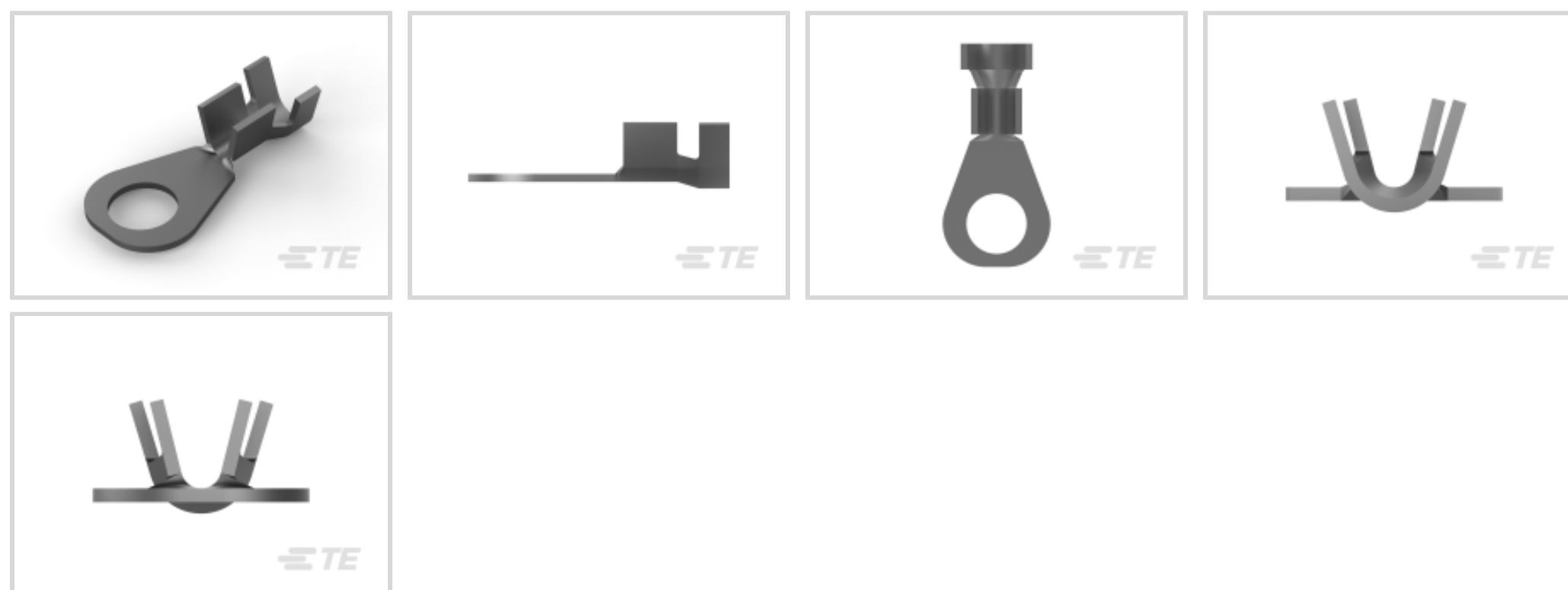
Wire Size, 1 – 2.5 mm² Wire Size, 2048 – 5178 CMA Wire Size, Stud

Size #10

[View on TE.com >](#)



Terminals & Splices > Ring Terminals & Spade Terminals



Ring & Spade Terminal Type: **Ring Tongue**

Wire Size: **2048 – 5178 CMA**

Stud Size: **#10**

Features

Product Type Features

Terminal Features	Sheared
Shape Description	RING-001
Stud Size	#10
Sealable	No
Compatible With Discrete Wire Type	Stranded
Wire Insulation Support Retention Type	Insulation Support

Configuration Features

Number of Holes	1
Terminal Angle	180 °

Body Features

Inspection Slot	No
Weight per Piece	1.273 g

Contact Features

Ring & Spade Terminal Type	Ring Tongue
Barrel Type	Open
Terminal Orientation	Straight



Terminal Plating Material	Tin
---------------------------	-----

Mechanical Attachment

Wire Insulation Support	With
-------------------------	------

Dimensions

Wire Size	2048 – 5178 CMA
Stud Diameter	5.3 mm[.209 in]
Tongue Thickness	.6 mm[.023 in]
Overall Product Length	19.8 mm[.779 in]
Barrel Inside Diameter	1.78 mm, 3.43 mm[.07 in][.135 in]
Accepts Wire Insulation Diameter (Max)	3.81 mm[.15 in]
Accepts Wire Insulation Diameter Range	2.2 – 3.8 mm[.087 – .15 in]

Usage Conditions

Insulation Option	Uninsulated
Operating Temperature Range	-40 – 105 °C[-40 – 221 °F]

Operation/Application

Compatible With Wire Base Material	Copper
Heavy Duty	No

Industry Standards

Government Qualified	No
----------------------	----

Packaging Features

Packaging Quantity	10000
Packaging Method	Strip/Reel

Other

Comment	Similar to DIN 46225.
---------	-----------------------

Product Compliance

[For compliance documentation, visit the product page on TE.com>](#)

EU RoHS Directive 2011/65/EU	Compliant
EU ELV Directive 2000/53/EC	Compliant
China RoHS 2 Directive MIIT Order No 32, 2016	No Restricted Materials Above Threshold
EU REACH Regulation (EC) No. 1907/2006	Current ECHA Candidate List: JUNE 2022 (224)



Candidate List Declared Against: JUNE 2022 (224)

Does not contain REACH SVHC

Halogen Content

Low Halogen - Br, Cl, F, I < 900 ppm per homogenous material. Also BFR/CFR/PVC Free

Solder Process Capability

Not applicable for solder process capability

Product Compliance Disclaimer

This information is provided based on reasonable inquiry of our suppliers and represents our current actual knowledge based on the information they provided. This information is subject to change. The part numbers that TE has identified as EU RoHS compliant have a maximum concentration of 0.1% by weight in homogenous materials for lead, hexavalent chromium, mercury, PBB, PBDE, DBP, BBP, DEHP, DIBP, and 0.01% for cadmium, or qualify for an exemption to these limits as defined in the Annexes of Directive 2011/65/EU (RoHS2). Finished electrical and electronic equipment products will be CE marked as required by Directive 2011/65/EU. Components may not be CE marked. Additionally, the part numbers that TE has identified as EU ELV compliant have a maximum concentration of 0.1% by weight in homogenous materials for lead, hexavalent chromium, and mercury, and 0.01% for cadmium, or qualify for an exemption to these limits as defined in the Annexes of Directive 2000/53/EC (ELV). Regarding the REACH Regulation, the information TE provides on SVHC in articles for this part number is based on the latest European Chemicals Agency (ECHA) 'Guidance on requirements for substances in articles' posted at this URL: <https://echa.europa.eu/guidance-documents/guidance-on-reach>

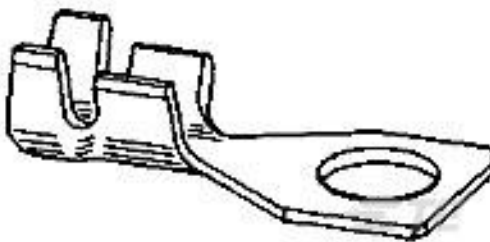
Compatible Parts



TE Part # 880219-4
TERMINAL



TE Part # 180463-1
AM-RECHTECKZG MIF



TE Part # 180463-2
AM-RECHTECKZG MIF



TE Part # 2-2150605-1
OCEAN_2.0_Applicator-E-130F210F



TE Part # 2-2150605-2
OCEAN_2.0_Applicator-E-130F210F



TE Part # 2150605-1
OCEAN_2.0_Applicator-E-130F210F



TE Part # 2150605-2
OCEAN_2.0_Applicator-E-130F210F




TE Part # 444026-1
RING TONGUE ANTI ROTATIONAL 1-5 MM2 BR



TE Part # 444026-2
RT ANTI ROTATIONAL 1-5 MM2
ELECTRO TPBR



TE Part # 626283-3
RING TONGUE ANT ROT



TE Part # 626283-4
TERMINAL



TE Part # 7-2150605-1
OCEAN_2.0_Applicator-E-130F210F



TE Part # 7-2150605-2
OCEAN_2.0_Applicator-E-130F210F



KIT
REPRESENTATION ONLY
TE Part # 7-2150605-7
OCEAN_2.0_SPARE_PART_KIT-
130F210F



TE Part # 880551-1
RING TONGUE 1.0-2.5 MM2 BR
130F210F

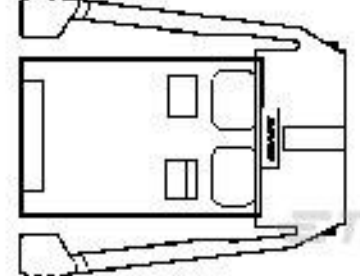
Customers Also Bought



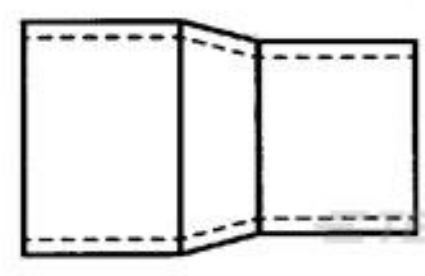
TE Part #180464-2
250 FASTON,FLAG,REC.,14-17AWG,
LATON



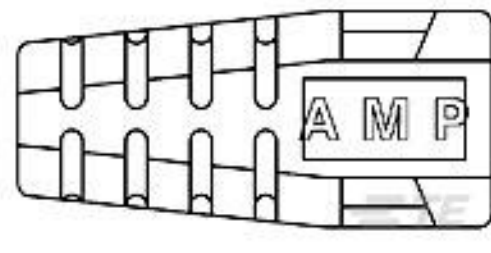
TE Part #60770-2
RING CRIMP 18-14 AWG TPBR



TE Part #5-520424-3
8 SDL RND PLUG ASSY 50 SERIES



TE Part #520437-1
8 SDL FERRULE,BULK PKG



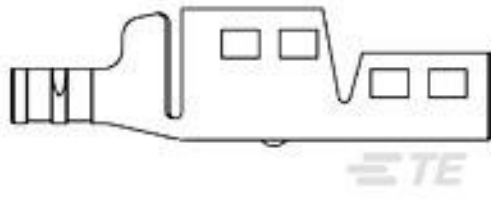
TE Part #520853-1
8 SDL RND PLUG BOOT,BULK PKG



TE Part #925612-1
STC REC 6.3 Contact SRC Sn



TE Part #626029-2
RING TONGUE TERMINAL 0.5 /1.5
MM2 TPBR



TE Part #520464-1
8 SDL RND SHIELD, TOP, BULK PKG



TE Part #539651-2
MATRIZE MICRO TIMER

Documents



Product Drawings

RING TONGUE 1.0-2.5 MM2 0.60X11.43 TPBR

English

CAD Files

3D PDF

3D

Customer View Model

[ENG_CVM_CVM_626033-2_E.2d_dxf.zip](#)

English

Customer View Model

[ENG_CVM_CVM_626033-2_E.3d_igs.zip](#)

English

Customer View Model

[ENG_CVM_CVM_626033-2_E.3d_stp.zip](#)

English

Customer View Model

[ENG_CVM_626033-2_E1.3d_igs.zip](#)

English

Customer View Model

[ENG_CVM_626033-2_E1.3d_stp.zip](#)

English

Customer View Model

[ENG_CVM_626033-2_E1.2d_dxf.zip](#)

English

3D PDF

English

By downloading the CAD file I accept and agree to the [Terms and Conditions](#) of use.

Product Specifications

EB**General Application Specification for Open Barrel Terminals

English

Application Specification

English