

63610-2 ✓ ACTIVE

TE Internal #: 63610-2

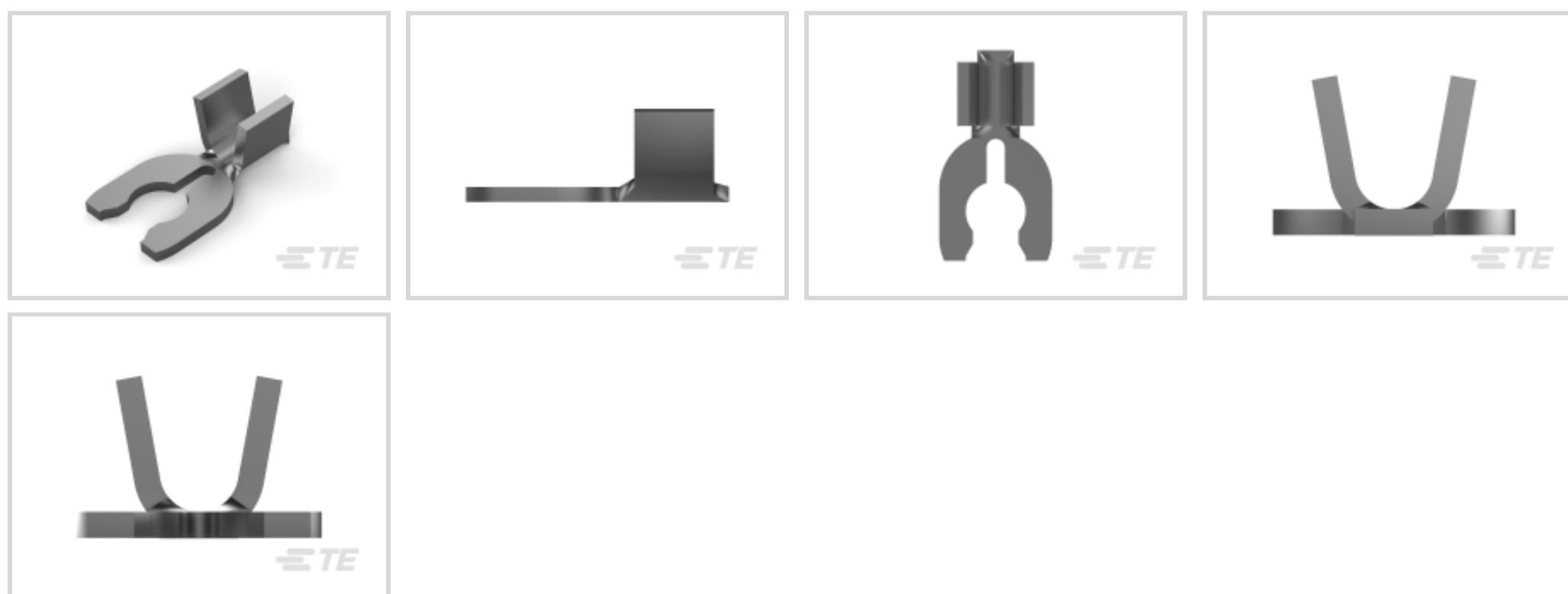
Ring Terminals & Spade Terminals, Spade Tongue, 14 – 10 AWG

Wire Size, 2 – 6 mm² Wire Size, 4106 – 10382 CMA Wire Size, Stud Size #10

[View on TE.com >](#)



Terminals & Splices > Ring Terminals & Spade Terminals



Ring & Spade Terminal Type: **Spade Tongue**

Wire Size: **4106 – 10382 CMA**

Stud Size: **#10**

Features

Product Type Features

Shape Description	Spring Spade
Stud Size	#10
Sealable	No
Compatible With Discrete Wire Type	Stranded
Wire Insulation Support Retention Type	Non-Insulation Support

Configuration Features

Number of Holes	1
Terminal Angle	180 °

Contact Features

Contact Base Material	Brass
Ring & Spade Terminal Type	Spade Tongue
Barrel Type	Open
Terminal Orientation	Straight
Terminal Plating Material	Tin
Contact Underplating Material	None

Mechanical Attachment



Wire Insulation Support	Without
-------------------------	---------

Dimensions

Wire Size	4106 – 10382 CMA
Stud Diameter	4.82 mm[.19 in]
Tongue Thickness	1.02 mm[.04 in]
Overall Product Length	17.02 mm[.67 in]
Barrel Inside Diameter	3.04 mm[.12 in]

Usage Conditions

Insulation Option	Uninsulated
Operating Temperature Range	-40 – 110 °C[-40 – 230 °F]

Operation/Application

Compatible With Wire Base Material	Copper
Heavy Duty	No

Industry Standards

Government Qualified	No
----------------------	----

Packaging Features

Packaging Quantity	8000
Packaging Method	Strip/Reel

Product Compliance

[For compliance documentation, visit the product page on TE.com>](#)

EU RoHS Directive 2011/65/EU	Compliant
EU ELV Directive 2000/53/EC	Compliant
China RoHS 2 Directive MIIT Order No 32, 2016	No Restricted Materials Above Threshold
EU REACH Regulation (EC) No. 1907/2006	Current ECHA Candidate List: JUNE 2022 (224) Candidate List Declared Against: JUNE 2022 (224) Does not contain REACH SVHC
Halogen Content	Low Halogen - Br, Cl, F, I < 900 ppm per homogenous material. Also BFR/CFR/PVC Free
Solder Process Capability	Not applicable for solder process capability

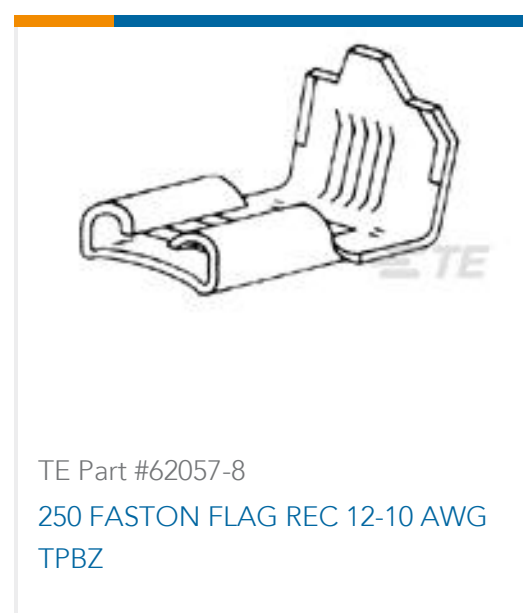
Product Compliance Disclaimer

This information is provided based on reasonable inquiry of our suppliers and represents our current actual knowledge based on the information they provided. This information is subject to change. The part numbers that TE has identified as EU RoHS compliant have a maximum concentration of 0.1% by weight in homogenous materials for lead, hexavalent chromium, mercury, PBB, PBDE, DBP, BBP, DEHP, DIBP, and 0.01% for cadmium, or qualify for an exemption to these limits as defined in the Annexes of Directive 2011/65/EU (RoHS2). Finished electrical and electronic equipment products will be CE marked as required by Directive 2011/65/EU. Components may not be CE marked. Additionally, the part numbers that TE has identified as EU ELV compliant have a maximum concentration of 0.1% by weight in homogenous materials for lead, hexavalent chromium, and mercury, and 0.01% for cadmium, or qualify for an exemption to these limits as defined in the Annexes of Directive 2000/53/EC (ELV). Regarding the REACH Regulation, the information TE provides on SVHC in articles for this part number is based on the latest European Chemicals Agency (ECHA) 'Guidance on requirements for substances in articles' posted at this URL: <https://echa.europa.eu/guidance-documents/guidance-on-reach>

Compatible Parts



Customers Also Bought





TE Part #2-520263-2
ULTRA-FAST 250 ASY REC 22-18 TPBR



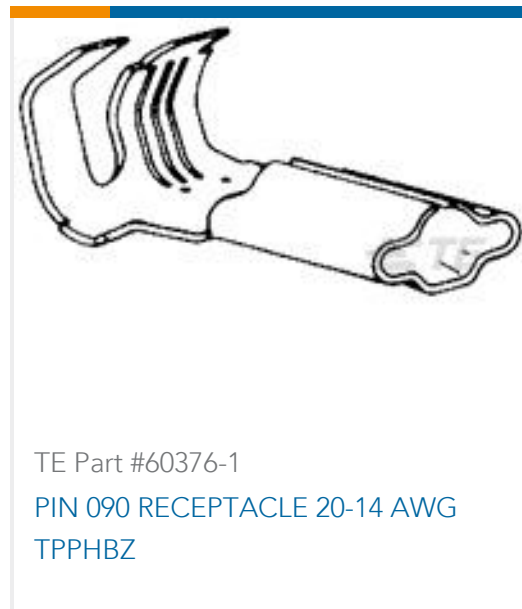
TE Part #63306-2
250 FASTON REC 18-14 AWG TPBR



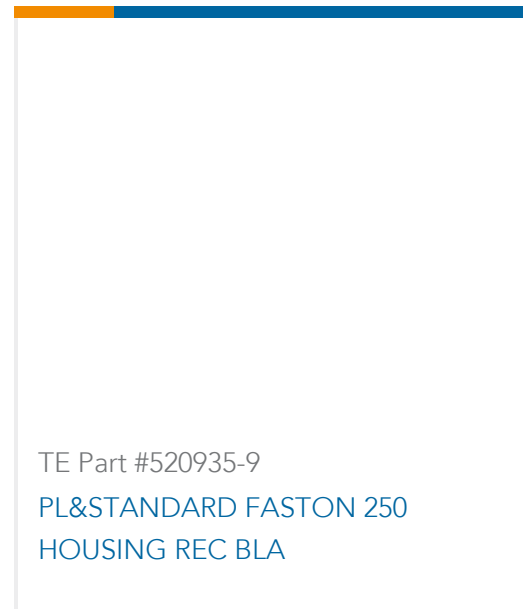
TE Part #1903414-2
GHC 9.0 3POS PLUG HSG



TE Part #40696
RING TERMINAL 12-10 AWG TPBR



TE Part #60376-1
PIN 090 RECEPTACLE 20-14 AWG
TPPHBZ



TE Part #520935-9
PL&STANDARD FASTON 250
HOUSING REC BLA

Documents

Product Drawings

SPRING SPADE TERMINAL 14-10 AWG TPBR

English

CAD Files

3D PDF

3D

Customer View Model

[ENG_CVM_CVM_63610-2_F_c-63610-2-f.2d_dxf.zip](#)

English

Customer View Model

[ENG_CVM_CVM_63610-2_F_c-63610-2-f.3d_igs.zip](#)

English

Customer View Model

[ENG_CVM_CVM_63610-2_F_c-63610-2-f.3d_stp.zip](#)

English

By downloading the CAD file I accept and agree to the [Terms and Conditions](#) of use.

Product Specifications

Application Specification

English

Product Environmental Compliance

MD_63610-2_0531201787_dmtec

English

MD_63610-2_0531201787_dmtec

English

63610-2

Ring Terminals & Spade Terminals, Spade Tongue, 14 – 10 AWG Wire Size, 2 – 6 mm²
Wire Size, 4106 – 10382 CMA Wire Size, Stud Size #10

