

2-34176-1 ✓ ACTIVE



PLASTI-GRIP

TE Internal #: 2-34176-1

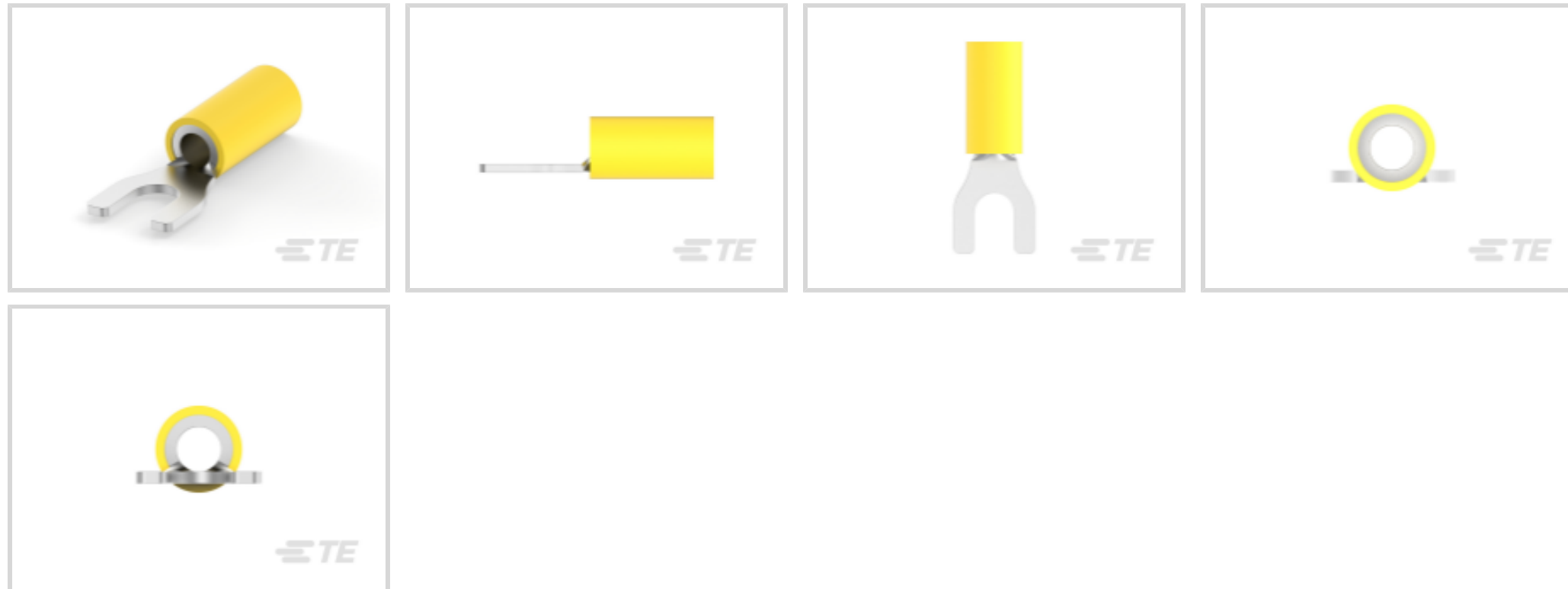
Ring Terminals & Spade Terminals, Spade Tongue, 12 – 10 AWG

Wire Size, 2.62 – 5.64 mm² Wire Size, 5180 – 13100 CMA Wire Size,

PLASTI-GRIP

[View on TE.com >](#)

Terminals & Splices > Ring Terminals & Spade Terminals



Ring & Spade Terminal Type: **Spade Tongue**

Wire Size: **5180 – 13100 CMA**

Stud Size: **#10**

Features

Product Type Features

Shape Description	SPADE-021
Stud Size	#10
Sealable	No
Wire Insulation Support Retention Type	Insulation Support

Configuration Features

Terminal Angle	180 °
----------------	-------

Electrical Characteristics

Voltage (Max)	600 V
---------------	-------

Body Features

Inspection Slot	No
Weight per Piece	.395 g

Contact Features

Ring & Spade Terminal Type	Spade Tongue
Barrel Type	Closed
Terminal Orientation	Offset



Terminal Plating Material	Tin
---------------------------	-----

Mechanical Attachment

Wire Insulation Support	With
-------------------------	------

Dimensions

Wire Size	5180 – 13100 CMA
Stud Diameter	5 mm[.197 in]
Tongue Thickness	.79 mm[.031 in]
Overall Product Length	27.81 mm[1.09 in]
Accepts Wire Insulation Diameter (Max)	6.35 mm[.25 in]
Accepts Wire Insulation Diameter Range	3.81 – 6.35 mm[.15 – .25 in]

Usage Conditions

Insulation Option	Partially Insulated
Operating Temperature Range	105 °C[221 °F]

Operation/Application

Compatible With Wire Base Material	Copper
Compatible With Wire Plating Material	Tin
Heavy Duty	No

Industry Standards

Government Qualified	No
----------------------	----

Packaging Features

Packaging Quantity	2500
Packaging Method	Tape Mounted

Product Compliance

[For compliance documentation, visit the product page on TE.com>](#)

EU RoHS Directive 2011/65/EU	Compliant
EU ELV Directive 2000/53/EC	Compliant
China RoHS 2 Directive MIIT Order No 32, 2016	No Restricted Materials Above Threshold
EU REACH Regulation (EC) No. 1907/2006	Current ECHA Candidate List: JUNE 2022 (224) Candidate List Declared Against: JUL 2021 (219) Does not contain REACH SVHC



Halogen Content Not Low Halogen - contains Br or Cl > 900 ppm.

Solder Process Capability Not applicable for solder process capability

Product Compliance Disclaimer

This information is provided based on reasonable inquiry of our suppliers and represents our current actual knowledge based on the information they provided. This information is subject to change. The part numbers that TE has identified as EU RoHS compliant have a maximum concentration of 0.1% by weight in homogenous materials for lead, hexavalent chromium, mercury, PBB, PBDE, DBP, BBP, DEHP, DIBP, and 0.01% for cadmium, or qualify for an exemption to these limits as defined in the Annexes of Directive 2011/65/EU (RoHS2). Finished electrical and electronic equipment products will be CE marked as required by Directive 2011/65/EU. Components may not be CE marked. Additionally, the part numbers that TE has identified as EU ELV compliant have a maximum concentration of 0.1% by weight in homogenous materials for lead, hexavalent chromium, and mercury, and 0.01% for cadmium, or qualify for an exemption to these limits as defined in the Annexes of Directive 2000/53/EC (ELV). Regarding the REACH Regulation, the information TE provides on SVHC in articles for this part number is based on the latest European Chemicals Agency (ECHA) 'Guidance on requirements for substances in articles' posted at this URL: <https://echa.europa.eu/guidance-documents/guidance-on-reach>

Compatible Parts

<p>TE Part # 59824-1 TETRA-CRIMP PIDG PG FASTON 22-10 ASSY</p>	<p>TE Part # 58433-3 PRO CR ASSY, RBY IS9252</p>	<p>TE Part # 59239-4 HHHT PIDG PG 12-10 ASSY</p>	<p>TE Part # 58423-1 DIE, RBY IS9252</p>
<p>TE Part # 525692 HHHT PIDG PG 12-10 ASSY</p>	<p>TE Part # 1SET191001R0000 CRIMP-HT</p>	<p>TE Part # 1SET191002R0000 TET CRIMP-HT</p>	<p>TE Part # 169404 CERTI-LOK DIE</p>

Also in the Series | PLASTI-GRIP

<p>Compression Connectors(3)</p>	<p>Crimp Wire Pins, Tabs & Ferrules(25)</p>	<p>Ring Terminals & Spade Terminals(537)</p>	<p>Splices(49)</p>
----------------------------------	---	--	--------------------

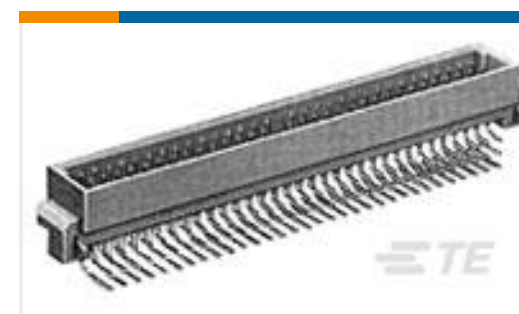
Customers Also Bought



TE Part #52041-3
TERMINAL,R PG 8 1/4



TE Part #1-640388-0
10P MTA156 HDR ASSY RN STR F/L



TE Part #5650913-5
ASSY,PIN,EUROCARD,TYPE C,LEAD-



TE Part #2-327043-1
PG SPD 22-16 COMM 22-18 MIL 6



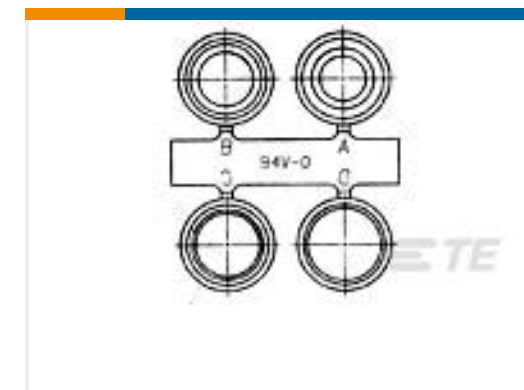
TE Part #1393143-1
27E043=SOCKET,KU,11,SLG,NYL,N



TE Part #5-146128-4
06 MODII HDR SR SFMNT B/A .100



TE Part #5-146282-4
04 MODII HDR SRST B/A .100CL



TE Part #747746-1
GROMMET ASSORT-SZ1/2 CBL CLMPS



TE Part #1-206852-1
CPC RECEPT ASSEMBLY SIZE 11-9



TE Part #200389-2
GUIDE PIN KIT

Documents

Product Drawings

[TERMINAL,PG SPD 12-10 10](#)

English

CAD Files

[3D PDF](#)

3D

Customer View Model

[ENG_CVM_CVM_2-34176-1_P.2d_dxf.zip](#)

English

Customer View Model

[ENG_CVM_CVM_2-34176-1_P.3d_igs.zip](#)

English

Customer View Model

[ENG_CVM_CVM_2-34176-1_P.3d_stp.zip](#)

English

[3D PDF](#)

English



Customer View Model

[ENG_CVM_2-34176-1_J.3d_igs.zip](#)

English

Customer View Model

[ENG_CVM_2-34176-1_J.3d_stp.zip](#)

English

Customer View Model

[ENG_CVM_2-34176-1_J.2d_dxf.zip](#)

English

By downloading the CAD file I accept and agree to the [Terms and Conditions](#) of use.

Product Specifications

[Application Specification](#)

English

Agency Approvals

[UL Report](#)

English