

Powerful 17 Inch WebPanel with Android 10.0, Linux 4.4



- 17" brilliant TFT-LCD graphic display, 1280 x 1024 pixels
- fast image acquisition with powerful processor
- Robust aluminium housing, low installation depth
- High protection class IP65, flush-framed design
- Always connected: Integrated WiFi and Bluetooth

Description

This WebPanel series is based on a powerful RK3288 quad-core Cortex-A17 processor.

The WebPanels are available in display sizes from 7" to 23.8" and are optionally equipped with projected capacitive touch or without touch. The projected capacitive touch enables multi-touch operation.

The housings are IP65 rated at the front and have a very compact and robust design due to the aluminium housing. Due to their low installation depth, the WebPanels can be used almost anywhere.

The WebPanel is available with Android 10.0 operating system, preinstalled AutomationBrowser or with LINUX 4.4 and is therefore ideally suited for the installation of own web applications or the connection to most of all industrial devices. The integrated WiFi and Bluetooth interfaces enable the most diverse uses.

Product details

| | |
|--------------------|--|
| Power supply: | 12 VDC to 36 VDC |
| Power consumption: | Power consumption: max. 21,6 W |
| Display: | 17" TFT-LCD |
| Resolution: | 1280 x 1024 pixels |
| Aspect ratio: | 4:3 |
| Brightness: | 300 cd/m ² |
| Display colours: | 16,7 Million |
| View angle: | H: 80° / V: 80° |
| Touchscreen: | projected capacitive touch or without touch |
| Processor: | RK3288-Quad-Core Cortex-A17 up to 1.8GHz |
| RAM: | 4 GB DDR3 RAM |
| Storage: | Onboard 32 GB eMMC NAND Flash |
| I/O ports: | USB: 2x USB 2.0 Host type A USB-Mini: : for re-flash/upgrading firmware Serial: 1x COM1 RS232 Ethernet: 1x 10/100/1000 BaseT(X), RJ45 Display: 1x HDMI-output Audio output: 3,5 mm WLAN: 1x 802.11a/b/g/n Bluetooth: 1x Bluetooth 4.0 |
| Housing: | Robust aluminium case |
| Mounting: | VESA 100 x 100 and/or 75 x 75 Panel mount |
| Protection class: | IP65 from the front |
| Weight: | approx. 4,5 kg |

| | |
|---------------------------|--|
| Dimensions (WxHxD): | 414 mm x 345 mm x 60,3 mm |
| Environmental conditions: | Operation: -10 °C to +60 °C Storage: -40 °C to +85 °C 5 % to 80 % rFn at 40 °C, non condensing |
| Certificates: | CE FCC Class A CCC |
| Operating systems: | Android 10.0 or Linux 4.4 or AutomationBrowser (preinstalled) |
| Packing list: | 1 x Web Panel 1 x Embedded bracket |
| Manufacturer: | Wachendorff Prozesstechnik |

Order-No. Product

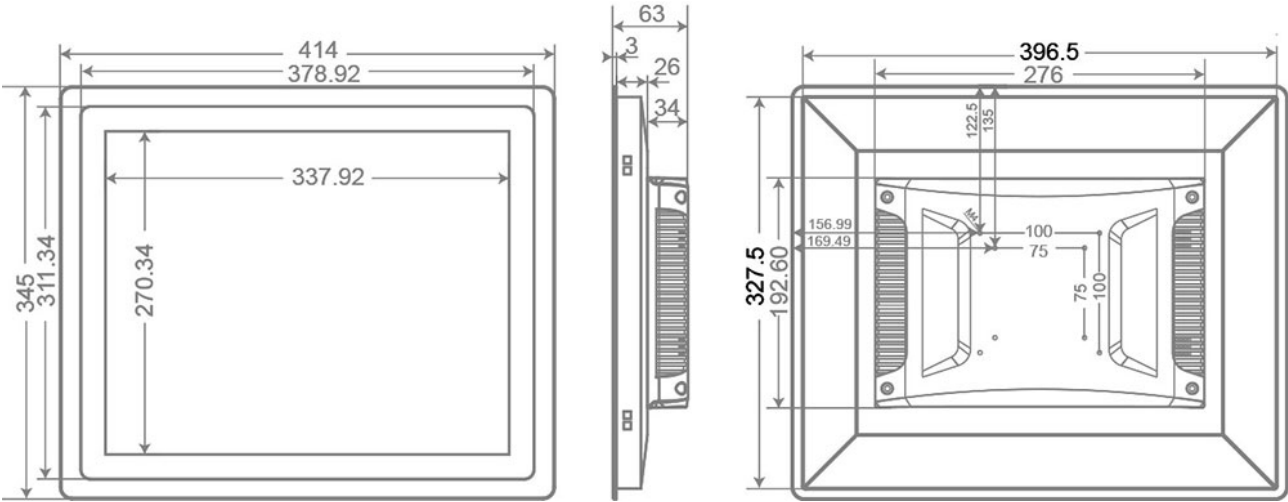
| | |
|-------------------------|--|
| JWS170-L200-3288432KY | 17" Web Panel, without Touch, Linux 4.4 |
| JWS170-L210-3288432KY | 17" Web Panel, with Touch, Linux 4.4 |
| JWS170-A200-3288432KY | 17" Web Panel, without Touch, Android 10.0 |
| JWS170-A210-3288432KY | 17" Web Panel, with Touch, Android 10.0 |
| JWS170-A200-3288432KY-A | 17" Web Panel, without Touch, Android 10.0 |
| JWS170-A210-3288432KY-A | 17" Web Panel, with Touch, Autom. Browser |

Order-No. Accessories

| | |
|-------------------|--|
| ETHSWG8C1 | 8-port Ethernet Switch, Gigabit, unmanaged |
| 360.017.000.012 | Power cord for ext. power supply |
| BZ.36.010.2000022 | External power supply, 230 VAC to 12 VDC |

Drawings

Dimensions (mm) and STL-Data/Viewer:





Wachendorff Prozesstechnik GmbH & Co. KG
Industriestrasse 7 • 65366 Geisenheim
Germany

Tel: +49 (0) 67 22 / 99 65 - 20
Fax: +49 (0) 67 22 / 99 65 - 78
E-Mail: wp@wachendorff.de
www.wachendorff-prozesstechnik.de

