

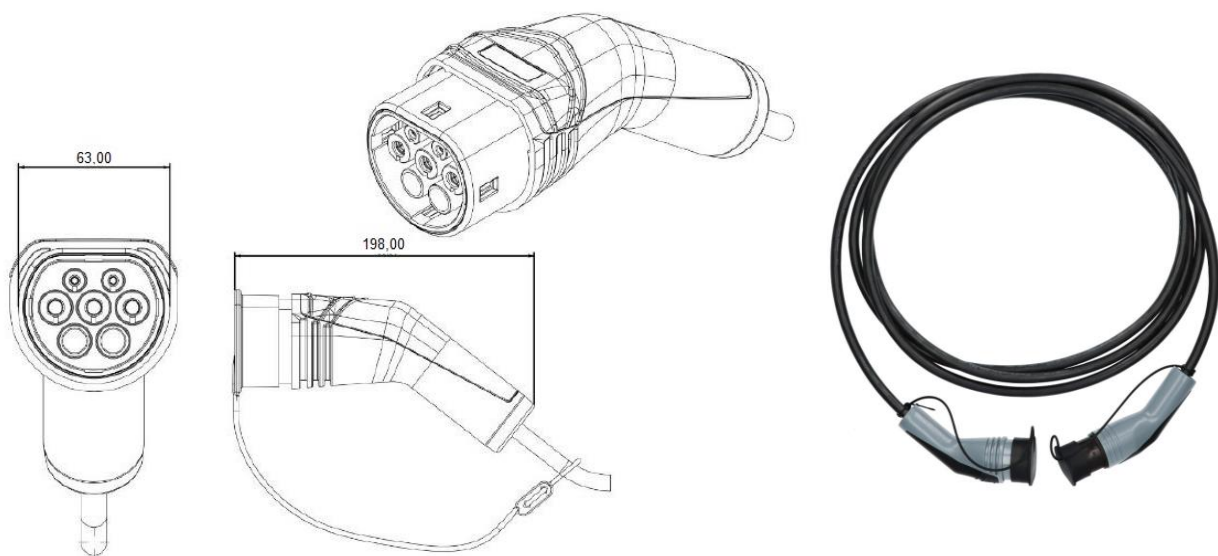
Data sheet

Article Description

Car charging cable Type 9620 + 9632

Car charger cable for 3-phase charging with 11 kW or 22 kW of electric and hybrid vehicles, with plug type 2 and flexible cable in a transport bag.

Dekra certified + Made in Germany



Type 9620 – 20 A

Nominal voltage:	250 V~
Nominal current:	20 A
IP protection class:	IP44
connection variant:	3 phases
Cable-Typ:	H07BZ5-F 5G2,5+1x0,5mm ²
Connection side 1:	Type 2 Plug QC/P 203
Connection side 2:	Type 2 Couple /Socket QC/C203
Charging mode:	Mode 3
Weight 2 m Cable	1,2 kg
Weight 6 m Cable	2,15 kg
Weight 8 m Cable	2,6 kg

Type 9632 – 32A

Nominal voltage:	480 V~
Nominal current:	32 A
IP protection class:	IP44
connection variant:	3 phases
Cable-Typ:	H07BZ5-F 5G6,0 + 1x0,5mm ²
Connection side 1:	Type 2 Plug QC/P 303
Connection side 2:	Type 2 Couple /Socket QC/C303
Charging mode:	Mode 3
Weight 2 m Cable	1,6 kg
Weight 6 m Cable	3,25 kg
Weight 8 m Cable	4,1 kg

Version	inter BÄR-No.	inter BÄR-No.
2 m cable	9620-320.01	9632-320.01
6 m cable	9620-360.01	9632-360.01
8 m cable	9620-380.01	9632-380.01

Technical modifications reserved!