

EMERGENCY STOP SWITCH

with bicolor LED



Our latching emergency stop pushbutton convinces with high-quality materials, protection classes, and ergonomics. It is made of stainless steel and meets the protection classes IP67 (dust and water), IK10 (impact), and PA66 (flame). The protection classes, wide temperature range, and durability make our steel probe suitable for many applications. The steel pushbutton has a luminous LED ring, which can light up in two different colors (red & green). This is used to identify whether or not the emergency stop has already been pressed.

When the emergency stop is pressed, the button will engage. This can be released by turning the switch.

The scope of delivery already includes the necessary connection cable, socket, sealing ring, and nut.

MAIN FEATURES

Key and shell material	Stainless steel
Pin material	H65 silver-/ gold-plated
Key depth	3 mm
Operation mode	latching
Protection level	IP67 and IK10
Special feature	High-luminous LED (green & red)
Dimensions of mounting	Ø 22 x ≤7.5 mm
Overall dimensions	Ø 21,9 x 46,5 mm
Items delivered	Button, 6x 150 mm cables

FURTHER SPECIFICATIONS

LED life	40 000 h
Connections	1x NO, 1x NC
Insulation resistance	≥ 1000 MΩ
Breakdown voltage	1000 V AC min.
Contact resistance	≤ 50 mΩ
Nut torque	5 - 14 Nm
Connector material	Flame retardant PA66
Environment temperature	-30 to 80°C

FURTHER DETAILS

Article No.	Button22NA-01 (9 - 24 V) Button22NA-02 (220 - 250 V)
EAN	4250236825083 (Button22NA-01) 4250236825090 (Button22NA-02)
Customs tariff No.	8536 50 11 90



Attention!

Work on voltages above 60 V is reserved for qualified electricians. There is a risk of electric shock, which can cause serious injury or death.

EMERGENCY STOP 9 - 24 V DC

Button22NT-01

SPECIFIC INFORMATION

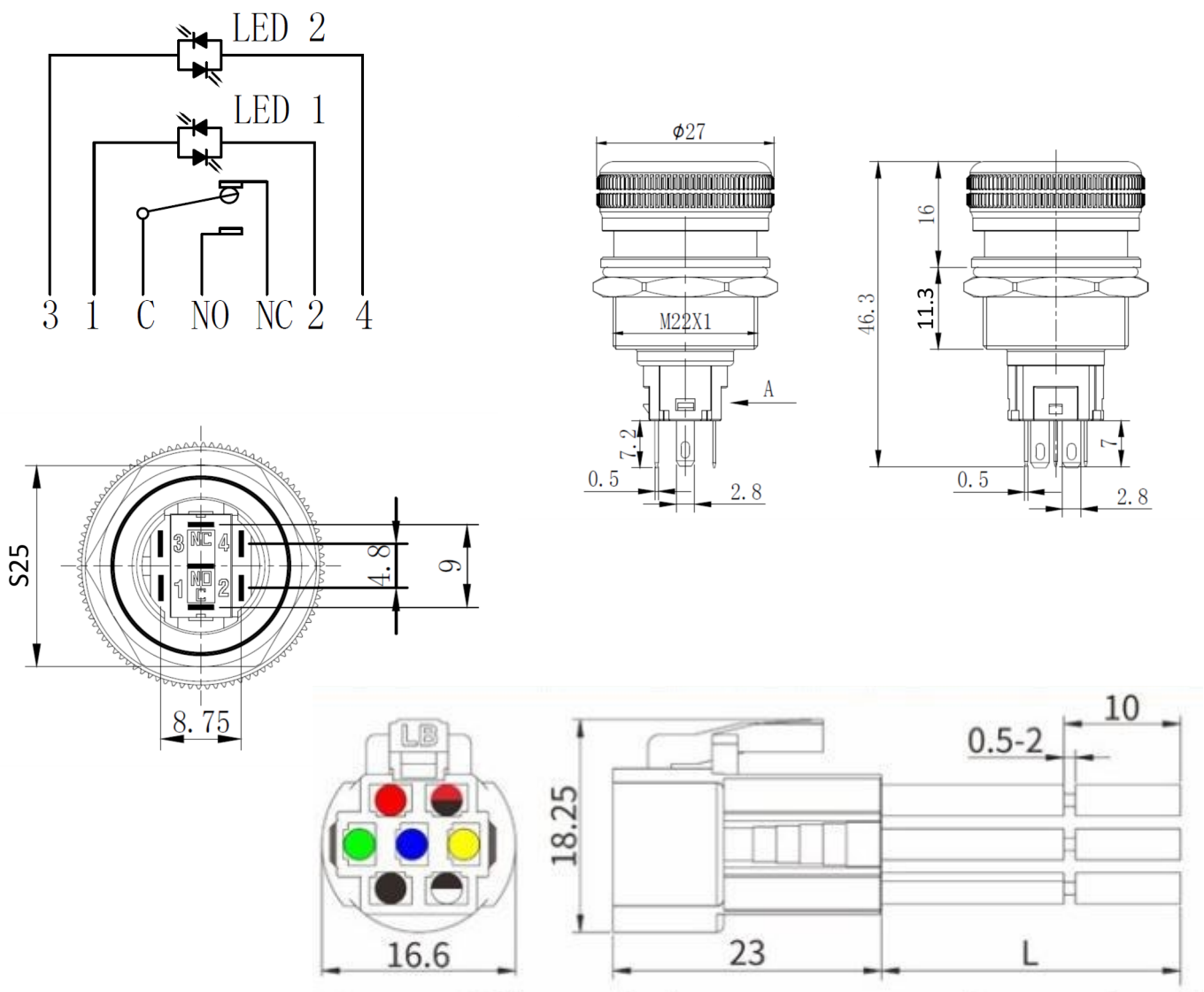
Max. switch current	2 A
Rated load	2 A / 24 V DC resistive 0.5 A / 24 V DC inductive
LED voltage	9 - 24 V DC

EMERGENCY STOP 220 - 250 V AC

Button22NT-02

SPECIFIC INFORMATION

Max. switch current	3 A
Rated load	3 A / 250 V AC resistive 0,5 A / 250 V AC inductive
LED voltage	220 - 250 V AC



Published: 14.02.2023