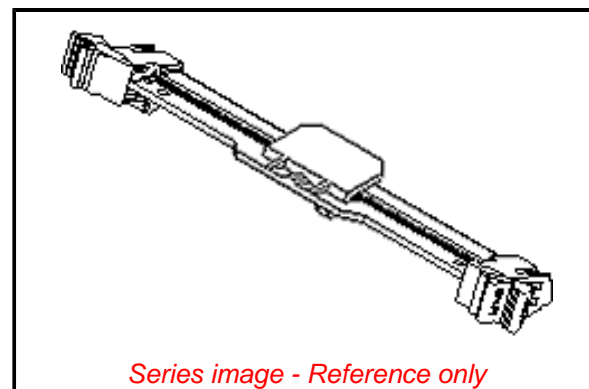


**PLEASE CHECK WWW.MOLEX.COM FOR LATEST PART INFORMATION**

**Part Number:** [0780350001](#)  
**Status:** **Active**  
**Overview:** MiniDIMM Sockets  
**Description:** 0.60mm Pitch miniDIMM DDR2 Socket, Surface Mount, 22.5° Reverse Angle, 0.76µm Gold (Au) Plating, Off-White Latches, with Pick-and-Place Cap, 244 Circuits, 1.8V Voltage Key, Lead-Free

**Documents:**

<a href="#">3D Model</a>	<a href="#">Application Specification AS-87782-001-001 (PDF)</a>
<a href="#">Drawing (PDF)</a>	<a href="#">Packaging Specification PK-78035-001-001 (PDF)</a>
<a href="#">Product Specification PS-78035-001-001 (PDF)</a>	<a href="#">RoHS Certificate of Compliance (PDF)</a>



*Series image - Reference only*

**Agency Certification**

CSA	LR19980
UL	E29179

**Application tooling part link**

Application Tooling Part Link	62100-1960
-------------------------------	------------

**General**

Product Family	Memory Module Sockets
Series	<a href="#">78035</a>
Component Type	Socket
JEDEC Outline	MO-244
Overview	<a href="#">MiniDIMM Sockets</a>
Product Name	MiniDIMM
Taxonomy	Memory Module Connectors
UPC	822350247795

**Physical**

Circuits (Loaded)	244
Circuits (maximum)	244
Durability (mating cycles max)	25
Entry Angle	22.5° Angle
Flammability	94V-0
Housing Color	Black
Keying to Mating Part	Yes
Latch Color	Natural (Off-White)
Material - Metal	Copper Alloy
Material - Plating Mating	Gold
Material - Plating Termination	Tin
Material - Resin	High Temperature Thermoplastic
Net Weight	6.050/g
PCB Locator	Yes
PCB Retention	Yes
Packaging Type	Tray
Pitch - Mating Interface	0.60mm
Pitch - Termination Interface	0.60mm
Plating min - Mating	0.762µm
Plating min - Termination	2.540µm
Temperature Range - Operating	-10° to +85°C
Termination Interface: Style	Surface Mount

**Electrical**

Current - Maximum per Contact	1.0A
Voltage - Maximum	30V
Voltage Key	1.8V

**EU ELV**

**Not Relevant**

**EU RoHS**

**Compliant**

**REACH SVHC**

Not Contained Per -  
D(2022)4187-DC (10  
June 2022)

**Halogen-Free**

**Status**

**Not Low-Halogen**

For more information, please visit [Contact US](#)

China ROHS

ELV

RoHS Phthalates

**China RoHS**

Green Image

Not Relevant

Not Contained

**Search Parts in this Series**

[78035 Series](#)

**Mates With**

JEDEC MO-244 Modules

**Solder Process Data**

Duration at Max. Process Temperature (seconds)	005
Lead-free Process Capability	REFLOW
Max. Cycles at Max. Process Temperature	001
Process Temperature max. C	260

**Material Info****Reference - Drawing Numbers**

Application Specification	AS-87782-001-001
Electrical Model Document	EE-78035-001-001
Packaging Specification	PK-78035-001-001
Product Specification	PS-78035-001-001
S-Parameter Model	SP-78035-001-001
Sales Drawing	SD-78035-001-001

This document was generated on 10/17/2022

**PLEASE CHECK [WWW.MOLEX.COM](http://WWW.MOLEX.COM) FOR LATEST PART INFORMATION**