

**PLEASE CHECK WWW.MOLEX.COM FOR LATEST PART INFORMATION**

**Part Number:** [0398800309](#)  
**Status:** **Active**  
**Overview:** Eurostyle Terminal Blocks  
**Description:** 5.08mm Pitch Beau Eurostyle Low Profile, Fixed Block, Modular, 9 Circuits

**Documents:**

<a href="#">3D Model</a>	<a href="#">Drawing (PDF)</a>
<a href="#">3D Model (PDF)</a>	<a href="#">RoHS Certificate of Compliance (PDF)</a>

**Agency Certification**

UL E48521

**General**

Product Family	Terminal Blocks
Series	<a href="#">39880</a>
Application	N/A
Component Type	One Piece
Overview	<a href="#">Eurostyle Terminal Blocks</a>
Product Name	Eurostyle Fixed Mount
Taxonomy	Terminal Blocks and Barrier St
Type	Euro Block
UPC	800756363059

**Physical**

Circuits (Loaded)	9
Entry Angle	Horizontal
Flammability	94V-0
Lock to Mating Part	None
Net Weight	8.010/g
Number of Rows	1
Orientation	Vertical
PC Tail Length	3.50mm
PCB Retention	None
PCB Thickness - Recommended	2.40mm
Panel Mount	No
Pitch - Mating Interface	5.08mm
Pitch - Termination Interface	5.08mm
Polarized to Mating Part	N/A
Shrouded	Fully
Stackable	Yes
Temperature Range - Operating	105°C
Wire Size AWG	16, 18, 20, 22, 24, 26, 28, 30
Wire Size mm <sup>2</sup>	0.20-1.50

**Electrical**

Current - Maximum per Contact	13.5A
Voltage - Maximum	300V

**Solder Process Data**

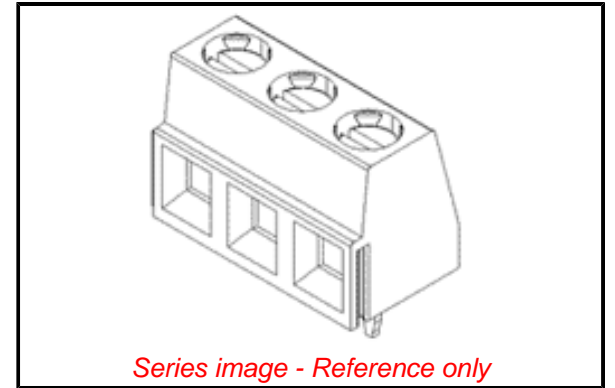
Lead-free Process Capability WAVE

**Material Info**

Engineering Number MX-MSB09005-0N

**Reference - Drawing Numbers**

Sales Drawing SD-39880-003-001



**EU ELV**

**Not Relevant**

**EU RoHS**

**Compliant with Exemption 6(c)**

**REACH SVHC**

Contained Per - D(2022)4187-DC (10 June 2022)

Lead

**Halogen-Free**

**Status**

**Low-Halogen**

For more information, please visit [Contact US](#)

China ROHS

ELV

RoHS Phthalates

**China RoHS**

50 Image

Not Relevant

Not Contained

**Search Parts in this Series**

[39880 Series](#)

This document was generated on 02/01/2023

**PLEASE CHECK [WWW.MOLEX.COM](http://WWW.MOLEX.COM) FOR LATEST PART INFORMATION**