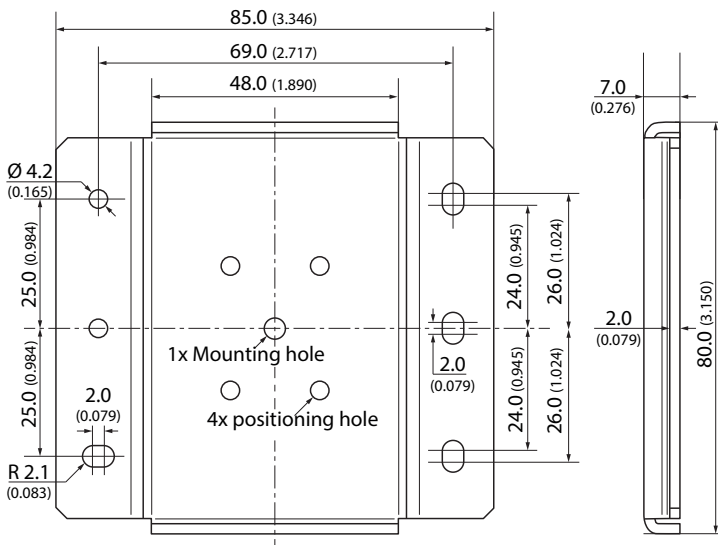


<b>Order Code</b>	<b>TSP-WMK03</b>
<b>Compatible with</b>	TSP 070, TSP 090, TSP 140, TSP 180, TSP 180WR, TSP-3P 240, TSP-BCM, TSP-BCMU, TSP-BFM, TSP-REM, TSPC 080, TSPC 120, TSPC 240, TSPC-DCM
<b>Package content</b>	1x Bracket
<b>Material</b>	Zinc clear
<b>Weight</b>	120 g
<b>RoHS Exemptions</b>	No Exemptions



### Outline Dimensions

#### Mechanical Drawing



All dimensions in mm (inch)  
Tolerance:  $\pm 0.3$  ( $\pm 0.012$ )

#### Max. screw insertion depth

Series	Max. screw insertion depth	Series	Max. screw insertion depth	Series	Max. screw insertion depth
TSP 070	5 mm (0.197 inch)	TSP 180	4 mm (0.157 inch)	TSP-BFM	5 mm (0.197 inch)
TSP 070-EX		TSP 180-EX		TSP-REM	
TSP 090		TSP 180 WR		TSPC-080	
TSP 090-EX	4 mm (0.157 inch)	TSP 240	5 mm (0.197 inch)	TSPC-120/TSPC-240	3 mm (0.118 inch)
TSP 140		TSP-BCM		TSPC-DCM-600	
TSP 140-EX		TSP-BCMU		3 mm (0.118 inch)	

The screw insertion depth is referenced from the outside surface of the chassis.

Mounting screw type: M4 machine screw, DIN 7985. The use of washers can serve as an anti-vibration measure.

**Note: To prevent damage to the device, do NOT exceed maximum screw insertion depth.**

**Note: Ensure the device is disconnected from supply before fitting wall mount.**