

# The ideal tool for training and the simulation of measurement on electrical installations

(complies with NF C 15-100, VDE 0100, IEE 16th, CEI 64-8, ÖVE EN-1, RBT MIE, NIN/NIV, ...)

## THE TRAINING CASE

### Electrical installations

Simulation of earth-to-earth, earth-to-neutral and insulation-to-earth installations.

Simulation of electrical safety measurement

Simulation of the most common electrical faults



◀ A complete case - sturdy and easy to carry.



- Measurements simulated\*: earth, resistivity, phase/earth or phase / neutral loops, circuit-breaker differentials, insulation, continuity
- Faults simulated: leak current, phase /neutral or earth cut, phase /neutral or earth inversion

\* if the case is used with the appropriate measurement instruments



## THE TEACHING TOOL YOU CANNOT DO WITHOUT

The international standards IEC 364, NF C 15-100, VDE 0100, IEE 16th, OVE EN-1, IEC 64-8, NIN/NIV ... specify all the steps to be taken to ensure that electrical installations operate correctly without

presenting any danger to users. Training for personnel working on such installations is essential: trainee electricians in professional training schools, self-employed electricians, installation electricians, maintenance technicians,

engineers ... The training case is a teaching tool you cannot do without! It will also be extremely useful for people giving demonstrations on the use of different measurement instruments.

Simulation of the most common faults in electrical installations

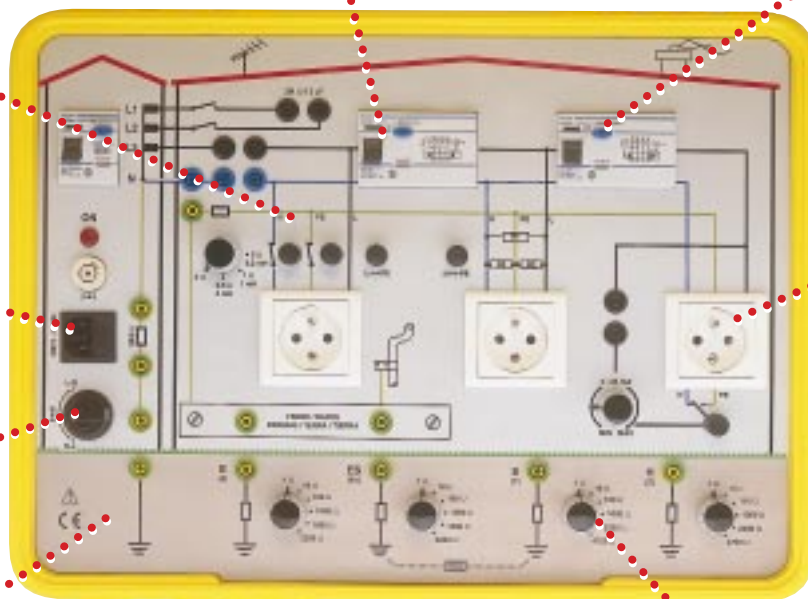
Selective type-A 100 mA differential (sensitive to  $I_L$  and  $I_{\Delta}$ )

Non-selective type AC 30 mA differential (sensitive to  $I_L$ )

Mains power socket

Mains connection sockets for mains or safety leads + touch-pins/alligator clips

Phase/neutral inverter



The different possible earth connections enable simulations on earth-to-earth, earth-to-neutral and insulated to earth networks. Parallel earth connections are also possible.

Measurement and resistivity (with possible variation of auxiliary S and H earth rod resistance)

### TO ORDER

Training case ..... **01NC5000**

L with 5 black 25 cm rear pickup safety leads and 4 safety adapters/forked terminal connectors (for connection to some types of earth testers).

Choice of type of mains sockets on front panel, stipulate one of following types when ordering:

France ..... **type A19094-F**  
 Europe (ind. Germany) ..... **type A19094-D**  
 Italy ..... **type A19094-I**  
 Switzerland ..... **type A19094-CH**  
 Great Britain ..... **type A19094-GB**

### MEASURING INSTRUMENTS

To take full advantage of the possibilities of your training case, we recommend you use it with the following measuring instruments:

- C.A 6115** : multi-purpose installation tester
- C.A 6421/23/25** : earth testers
- C.A 6511/13** : insulation and continuity testers
- C.A 6001/CDA 10** : differential testers
- CDA 820** : loop tester

**FRANCE**  
 190, rue Championnet  
 75876 Paris Cedex 18  
 Tél. : (33) 01 44 85 44 85  
 Fax : (33) 01 46 27 73 89

**UNITED KINGDOM**  
 Waldeck House - Waldeck Road  
 Maidenhead SL6 8BR  
 Tel. : 01628 788 888  
 Fax : 01628 628 099

<http://www.chauvin-arnoux.com>

 **CHAUVIN  
ARNOUX**