

LED Wall Luminaire - WING+ Instruction Manual

MEGATRON®

TECHNICAL SPECIFICATION

Series Name	WING+	WING+
Model Number	MT68002	MT68003
Wattage	4,5W	4,5W
Light source energy efficiency class <X>	E	E
Lumen Light Source	500lm	500lm
Lumen Containing Product	250lm	250lm
Voltage	220-240V AC	220-240V AC
Frequency	50Hz	50Hz
IP Rating	IP54	IP54

CLASS I	LED		CE

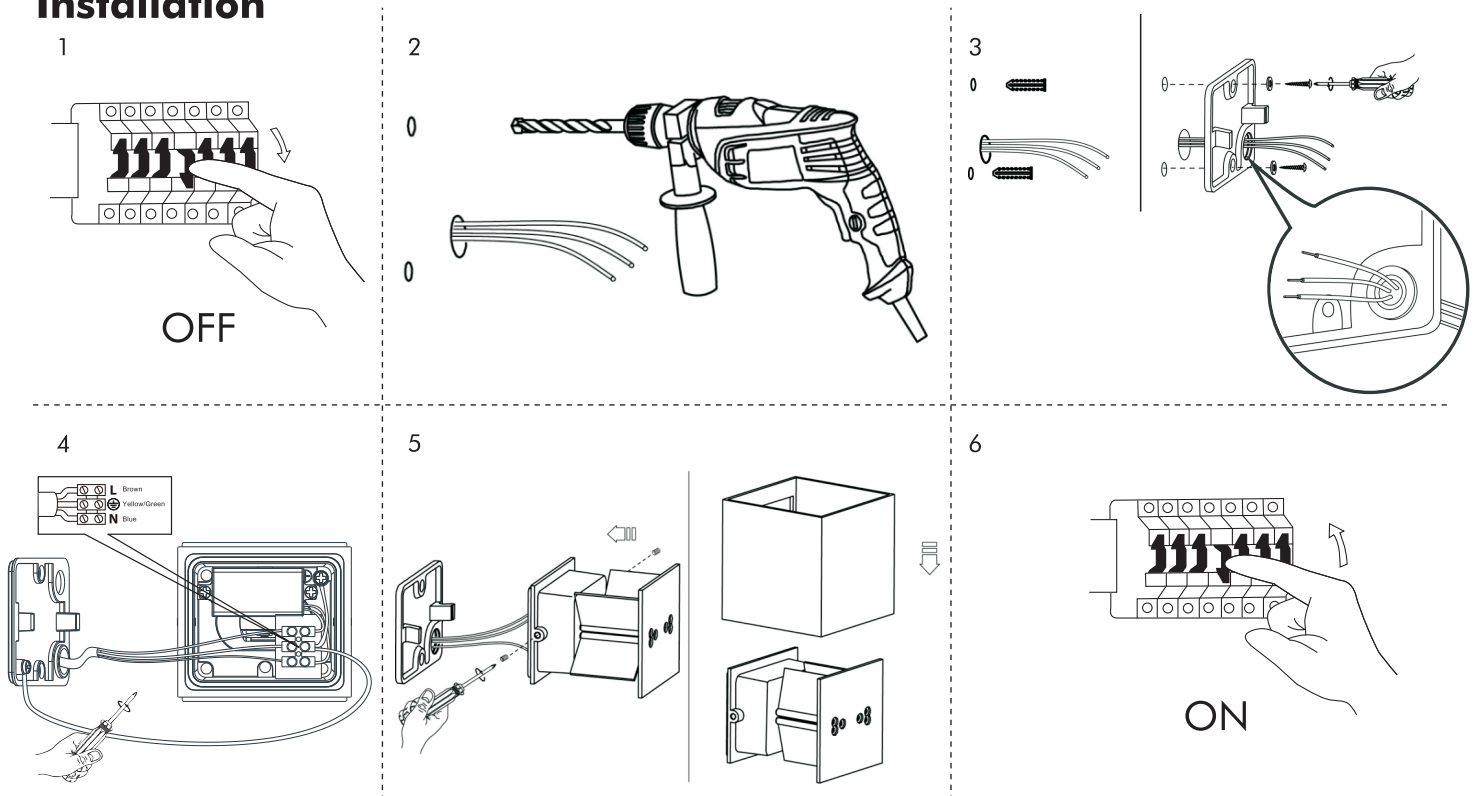
CAUTIONS

- Read the entire manual carefully before installation and operation.
- Installation or replacement should be performed only by licensed and qualified electricians.
- DO NOT disassemble the inner part of the luminaire. Doing so may result in lamp damage or malfunction.
- Switch off the power source before installation, replacement and cleaning! ⚠
- Wearing gloves during installation is recommended to ensure the luminaire is kept in the best condition.
- Before replacement of the luminaire, turn it off and allow it cool down. Heat-resistant gloves are mandatory when handling the luminaire.
- The driver contained in this luminaire shall only be replaced by a qualified electrician, and must be in compliance with the local installation regulations.
- DO NOT cover luminaire when in use.
- The manufacturer accepts no liability for any damage resulting from the misuse of the luminaire or from when is it used with inappropriate equipment.
- Important warning when drilling in walls: Before drilling, make sure that there are no gas, water or power lines at the drilling site.
- Installation only by competent persons. Be sure to pay attention to the wall condition, as the attached mounting material is not suitable for all wall types suitable. Inquire at retailers about the screws and dowels suitable for the respective wall condition. The manufacturer accepts no liability for any resulting damages from improper wall dowel.
- The light source contained in this luminaire shall only be replaced by the manufacturer or his service agent or a similar qualified person.
- This product contains a light source of energy efficiency class <E >
- Consult your dealer if you have any enquiries.

ATTENTION

- Instant start is allowed.
- Designed for indoor and outdoor applications.
- The operating temperature of the luminaire is -20°C to + 50°C

Installation



Correct disposal of this product

This marking indicates that this product should not be disposed with other household wastes throughout the EU. To prevent possible harm to the environment or human health from uncontrolled waste disposal, recycle it responsibly to promote the sustainable reuse of material resources. To return your used device, please use the return and collection systems or contact the retailer where the product was purchased. They can take this product for environmental safe recycling.