

# Instruction manual

## TECHNICAL SPECIFICATION

|                           |   |
|---------------------------|---|
| Series name               | <b>MEGATRON® Pro HELFA DUO</b>                  |
| Model number              | MT69054   |
| Wattage                   | 2 x 40W   |
| HPF                       | >0,9  |
| Voltage                   | 220-240V~                                       |
| Frequency                 | 50/60Hz   |
| Luminous Flux             | 2 x 4.500 Lumen (System)/2 x 5.600 Lumen (Chip) |
| Color Temperature         | 5.000 K   |
| Color Rendering Index CRI | Ra 97   |
| IP Rating                 | IP54  |
| Impact resistance rating  | IK08  |
| Power cable               | 5m H07RN-F3 rubber cable with safety plug       |
| Color                     | Red/Black                                       |
| Material                  | Plastic (PC+ABS) + Aluminium                    |


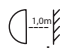
### Excellently suitable for:

- Renovation work
- Construction sites
- Paintwork

### Working light with a lot of lumens and high color rendering (Ra97)!





- Foldable construction light for optimal illumination of rooms and work areas.
- Super-bright, neutral white and evenly radiating light (2x 4.500 lumens).
- DUO light head with two LED units that can be individually aligned and switched on (4.500 lumen each)!
- Power socket (IP54) for additional lights or for electrical appliances (max. load 3.580W).
- Stable, height-adjustable stand made of metal.
- Set up and ready to use in seconds.
- Five meter long rubber cable H07RN-F3 with safety plug.
- The integrated cable winder also serves as a handle.
- Including practical protective bag for easy transport.
- Suitable for indoor and protected outdoor use.
- Instant restart possible.
- The operating temperature of the luminaire is -25° – +45°C.

### CAUTIONS:

- Read the entire manual carefully before installation and operation.
- Switch OFF the power source before installation, replacement and cleaning! 
- DO NOT disassemble the inner part of the luminaire. Doing so may result in luminaire damage or malfunction.
- Before replacement of the luminaire, turn it off and allow it to cool down.
- The minimum safety distance from the illuminated object is 1,0m. 
- The manufacturer accepts no liability for any damage resulting from the misuse of the luminaire or when it is used with inappropriate equipment.
- The light source of this luminaire is not replaceable; when the light source reaches its end of life the whole luminaire shall be replaced.
- Consult your dealer if you have any enquiries.

### INSTRUCTIONS FOR USE:

- Place the light on a stable and dry surface.
- Open the lower clamp lock to set up the base. Then lock the clamp lock again!
- Now open the upper clamp lock to adjust the height of the LED light. Then lock the clamp lock again!
- Insert the power plug into a suitable socket with protective contact. If you use the product outdoors, the power plug may only be inserted into a corresponding IPX4 socket.
- Now switch on the construction light using the ON/OFF switches.

|  |   |   |
|--|---|---|
| CLASS I  | LED   |  |
|   |   |   |
| <br>Replace any broken<br>Protective disk |  | CE  |

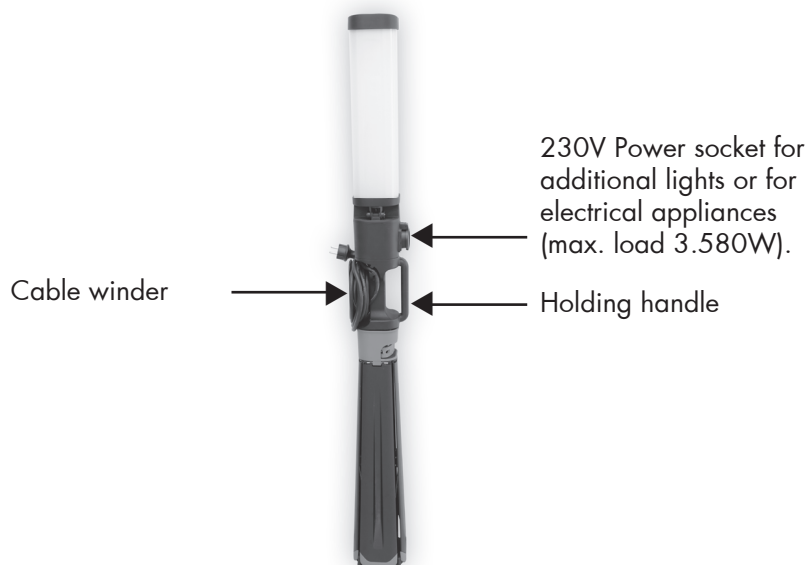
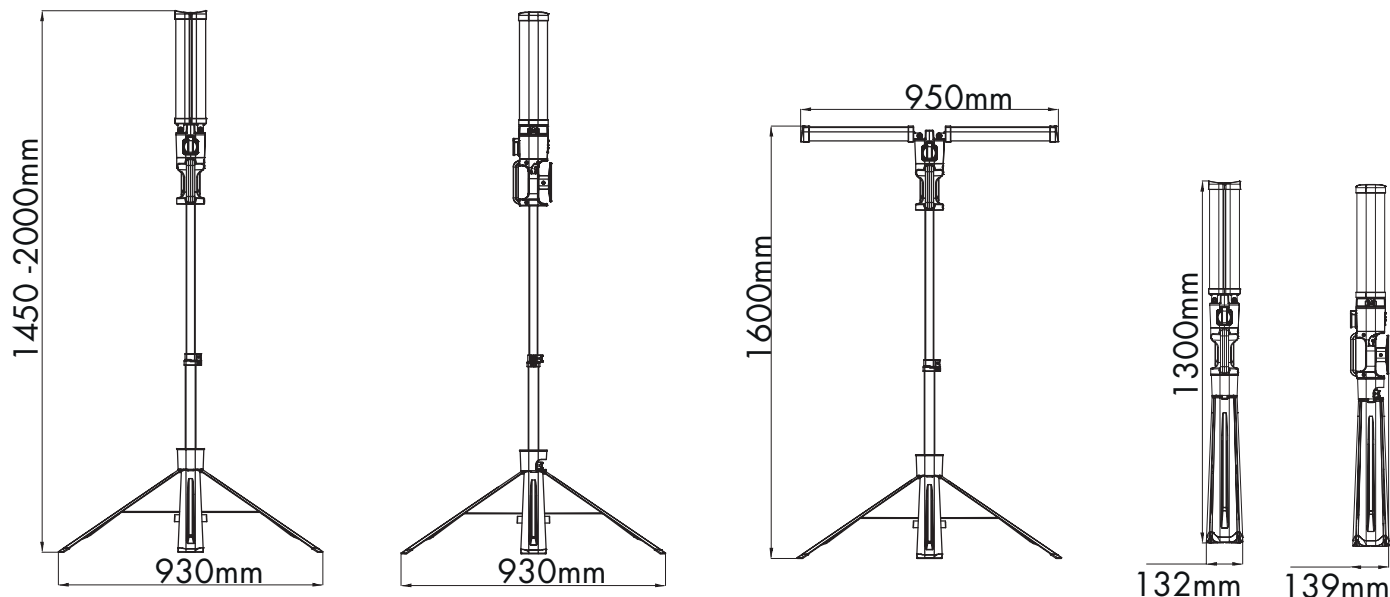
### Lieferumfang:

Including Protective bag

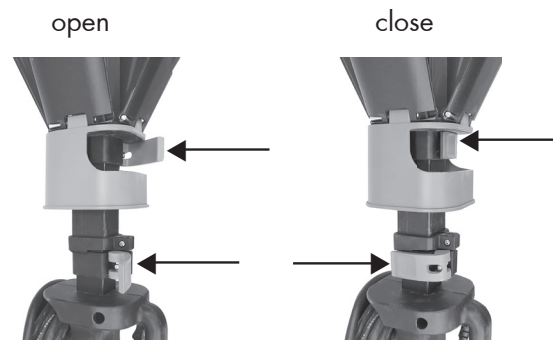


# Instruction manual

## Dimensions (mm):



Quick release fastener to lock



## When using the integrated Power socket (IP54):

- Only use devices with an intact safety plug.
- When used outdoors, only devices with a waterproof power plug may be used.
- Avoid direct moisture from rain or water.
- Make sure that the power consumption of the additional electrical device has got a maximum load of 3.580W. If you disregard this, you risk damaging the luminaire and the electrical installation.
- The total load must never be exceeded! Failure to comply may result in fire.

## Correct disposal of this product:



This marking indicates that this product should not be disposed with other household wastes throughout the EU. To prevent possible harm to the environment or human health from uncontrolled waste disposal, recycle it responsibly, to promote the sustainable reuse of material resources. To return your device, please use the return and collection systems, or contact the retailer where the product was purchased. They can take this product for environmental safe recycling.