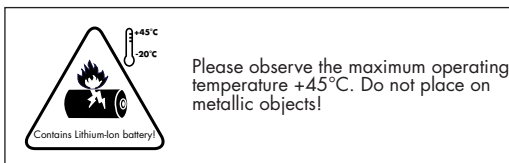


Instruction manual

TECHNICAL SPECIFICATION

Series Name	MEGATRON® LOKY ECKIG
Model Number	MT70018
Color	Graphite
Wattage	1W
Luminous Flux	110lm
Color temperature	Warmwhite (3000K)
Solar cell	0,55Wp
Charging time	approx. 15 h
Operating time	up to 22 h (100%)
Battery type	Lithium-Ion 18650
Capacity	2200mAh
Volt	DC 3,7V
Battery replaceable	Yes
IP rating	IP54

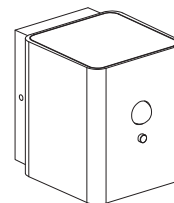


Remove battery

1. Loosen screws
2. Remove housing cover
3. Remove the battery from the holder

Part List:

- 1 x Solar luminaire with integrated PIR sensor
- 1 x wall mount
- 4 x Dowels
- 4 x Screws
- 4 x Washer
- 4 x Sealing rings



ATTENTION:

- Suitable for outdoor use.
- The operating temperature of the luminaire is -20°C to +45°C.
- The battery is approved up to +45°C. Avoid higher temperatures under all circumstances.
- The lithium-ion battery is pre-charged.
- The lithium-ion battery is also charged when the light is NOT ACTIVATED (see "First-time use").

CAUTIONS:

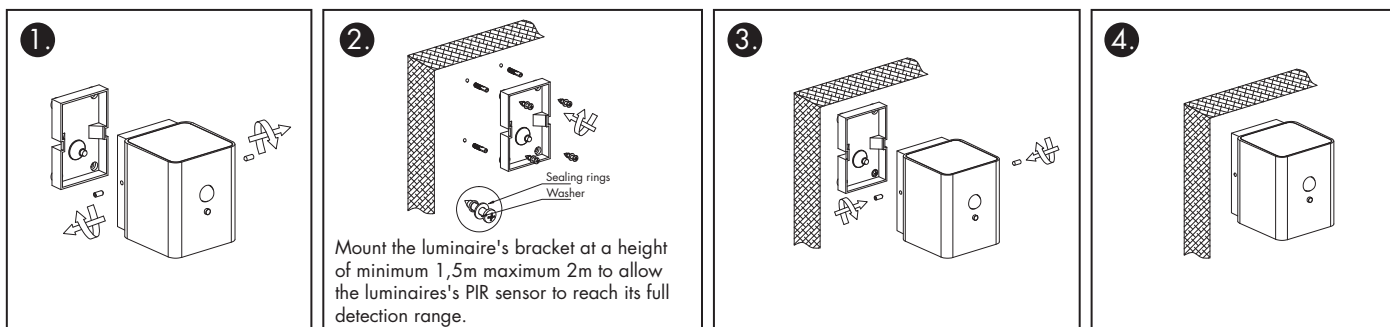
- Read the entire manual carefully before installation and operation.
- DO NOT disassemble the inner part of the luminaire. Doing so may result in luminaire damage or malfunction.
- The light sources of this luminaire are not replaceable; when the light source reaches its end of life, replace the entire luminaire.
- The manufacturer accepts no liability for any damage resulting from the misuse of the luminaire or from when it is used with inappropriate equipment.
- Please do not place any objects on the solar panel, the battery is located underneath. There is a risk of fire!
- Consult your dealer if you have any enquiries.

MOUNTING INSTRUCTIONS:

Install the luminaire only where it gets enough sunlight. The charging time depends on the sunlight exposure.

Avoid close proximity to other light sources. Make sure that the solar luminaire is installed at a distance of at least one meter to avoid light interference.

Make sure the luminaire is located in a shadow-free area where sunlight is not obstructed by objects.



Instruction manual

FUNCTIONS:

The MEGATRON® LED solar luminaire is equipped with a PIR motions sensor and 3 operating modes with energy saving, automatic dimming functions.

Mode 1: Active switching for more brightness at night

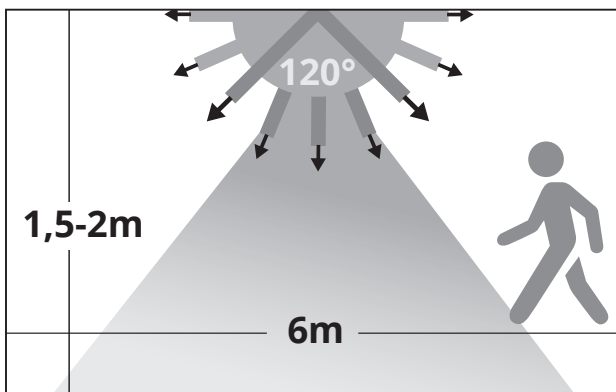
- Ideal for continuous path and entrance lighting.
- Automatically switches ON when darkness <5Lux with a permanent brightness of 10%; if movement is detected within a range of <5m, the light switches to 100% brightness.
- After 5 hours of operation, the lamp switches to 5% permanent brightness; if movement is detected within a range of <5m, the light switches to 70% brightness.

Mode 2: night mode for less brightness at night

- For effective facade lighting and as a night light.
- Switches ON automatically when it is dark <5Lux with a permanent brightness of 50%
- After 5 hours of operation, the lamp switches to 20% permanent brightness.

Mode 3: demand switching for 25 seconds of maximum brightness

- Ideal for short-term high light requirements when approaching.
- Turns ON when dark <5Lux to 100% brightness for 25 seconds when motion is detected within a range of <5m.
- After 5 hours of operation, the light switches ON to 70% brightness when motion is detected within a range of <5m.



INSTRUCTIONS:

First time commissioning

- After removing it from the packaging, you must first activate the light.
- To activate the light, press the function button on the front for at least 3 seconds until the light turns on.
- If the light is flashing, press the function button again to complete the commissioning.
- Now the lamp lights up constantly in one of the three operating modes 1, 2 or 3.

Setting the operating modes

- Press again to switch through operating modes 1, 2 or 3.
- You can recognize the operational work by the brightness of the lamp
Mode 1: 10%
Mode 2: 50%
Mode 3: 100%

Complete restart (RESET)

- If the light does not react as desired during commissioning or operation, carry out a RESET.
- Cover the solar panel (e.g. with a piece of cardboard).
- Press the function button for at least 5 seconds until the light flashes and turns off.
- Continue as described under "Setting the operating modes".

Note Disposal / Battery Law - BattG:



This marking indicates that this product should not be disposed with other household wastes throughout the EU. To prevent possible harm to the environment or human health from uncontrolled waste disposal, recycle it responsibly to promote the sustainable reuse of material resources. To return your used device or the used rechargeable battery, please use the return and collection systems or contact the retailer where the product was purchased. They can take this product for environmental safe recycling. Batteries containing hazardous substance are marked by a recycling symbol and chemical symbols (Cd, Hg or Pb) of the hazardous substances involved.

