

T8-LED-Triproof Luminaire 1,2m – LUTO

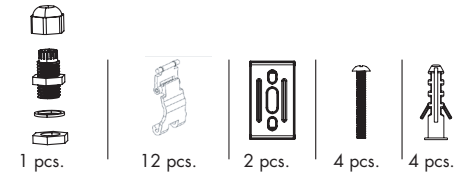


Instruction Manual

TECHNICAL SPECIFICATION:

Series Name	MEGATRON® LUTO 1x18W	MEGATRON® LUTO 2x18W
Model Number	MT77336	MT77337
Color	Grey	Grey
Incl. lamp	1x LM85284E	2x LM85284E
Wattage T8 Lamp	18W	2x18W
Light source energy efficiency class <X>	E	E
Luminous Flux T8 Lamp	2000lm	2x2000lm
CCT	4000K	4000K
Voltage	220-240V	220-240V
Frequency	50/60Hz	50/60Hz
IP Rating	IP65	IP65
Through Wiring Option	No	No

INCLUDED PARTS:



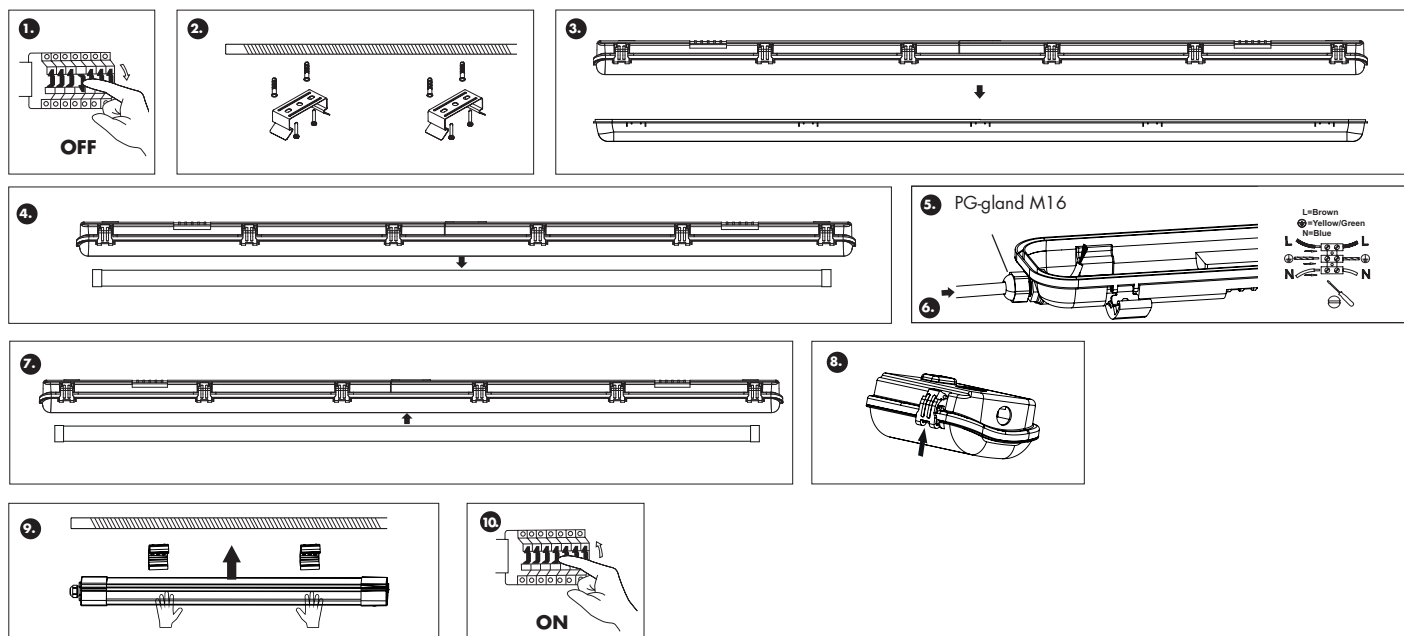
ATTENTION:

- Designed for indoor and outdoor applications.
- Instant start is allowed.
- The operating temperature of the luminaire is -20°C to +40°C.

CAUTIONS:

- Read the entire manual carefully before installation and operation.
- Installation or replacement should be performed only by licensed and qualified electricians.
- The luminaire is only compatible with LED T8 tubes. The usage of fluorescent T8 tubes is not allowed!
- DO NOT disassemble the inner part of the luminaire. Doing so may result in luminaire damage or malfunction.
- Switch OFF the power source before installation, replacement and cleaning!
- Wearing gloves during installation is recommended to ensure the luminaire is kept in the best condition.
- Before replacement of the luminaire or the T8 lamp, turn it off and allow it to cool down. Heat-resistant gloves are mandatory when handling the luminaire or the T8 lamp.
- The manufacturer accepts no liability for any damage resulting from the misuse of the luminaire or from when it is used with inappropriate equipment.
- Important warning for drilling in walls: before drilling, make sure that there are no gas and water pipes or power lines behind or near the drilling spots. Drilling and mounting should be performed only by qualified personnel. Be sure to pay attention at the condition and material of the walls, as the mounting material is not suitable for all wall types. Please inquire about recommended screws and raw plugs for your wall type and wall condition. The manufacturer accepts no liability for improper wall raw plug mounting and the herefrom resulting damages.
- This product contains a light source of energy efficiency class <X >
- Consult your dealer if you have any enquiries.

MOUNTING:



1. Turn the power supply OFF.
2. Drill the drill holes, insert the dowels into the drill holes and screw the bracket on the wall or ceiling.
3. Remove the cover of the triproof luminaire.
4. Screw the T8 LED tube out of the socket and remove the protective packaging.
5. Mount the M16 PG gland at the cable entry point of the luminaire.
6. Conduct the power cable through the PG gland and connect it to the push terminal. Close the PG gland by screwing the cap clockwise and double check the correct fit of the seal to ensure the waterproof protection.
7. Screw the T8 LED tube into the socket.
8. Close the luminaire cover and mount the 12 PC clips into the receptacles of the luminaire.
9. Insert the triproof luminaire into the holder to fix the luminaire on the wall.
10. Switch the power supply ON.

Correct disposal of this product:



This marking indicates that this product should not be disposed with other household wastes throughout the EU. To prevent possible harm to the environment or human health from uncontrolled waste disposal, recycle it responsibly, to promote the sustainable reuse of material resources. To return your device, please use the return and collection systems, or contact the retailer where the product was purchased. They can take this product for environmental safe recycling.

