

LED Table Luminaire GU10 – **SIMPLESSA**

Instruction Manual



TECHNICAL SPECIFICATION:

Series Name	SIMPLESSA			
Model Number	LM85680-2	LM85681-2	LM85682-2	LM85683-2
Color	Red	White	Black	Nickel
Lamp Holder	GU10			
Incl. Lamp	LM85400-2			LM85401-2
Lamp Wattage	6W			6W
Light source energy efficiency class <X>	G	G	G	G
Total Luminous Flux	420lm			
Voltage	220-240V~			
Frequency	50Hz			
IP Rating	IP20			

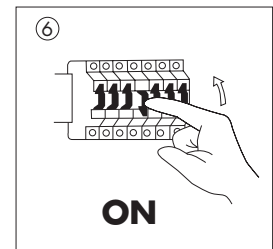
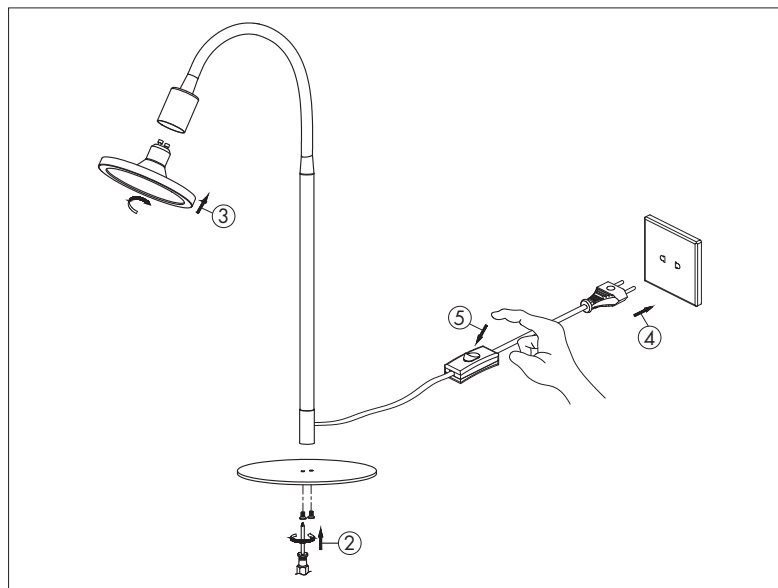
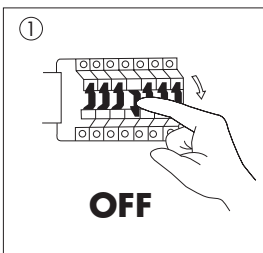
CAUTIONS:

- Read the entire manual carefully before installation and operation.
- DO NOT disassemble the inner part of the luminaire. Doing so may result in luminaire damage or malfunction.
- Switch OFF the power source before installation, replacement and cleaning! ⚠
- Wearing gloves during installation is recommended to ensure the luminaire is kept in the best condition.
- Before replacement of the lamp or luminaire, turn it off and allow it to cool down. Heat-resistant gloves are mandatory when handling the luminaire.
- The manufacturer accepts no liability for any damage resulting from the misuse of the luminaire or from when it is used with inappropriate equipment.
- This product contains a light source of energy efficiency class <X >
- Consult your dealer if you have any enquiries.

ATTENTION:


- Instant start is allowed.
- Do not touch the lamp surface during operation. Risk of injury due to heat.
- Designed for indoor applications.
- The operating temperature of the luminaire is -20°C to +40°C.

INSTALLATION



1. Turn OFF the power.
2. Screw the standpipe onto the lamp base
3. Insert the lamp (LM85400-2/LM85401-2) into the lamp holder.
4. Connect the luminaire to the mains.
5. Turn on the luminaire.
6. Turn ON the power.

Correct disposal of this product:

 This marking indicates that this product should not be disposed with other household wastes throughout the EU. To prevent possible harm to the environment or human health from uncontrolled waste disposal, recycle it responsibly, to promote the sustainable reuse of material resources. To return your device, please use the return and collection systems, or contact the retailer where the product was purchased. They can take this product for environmental safe recycling.