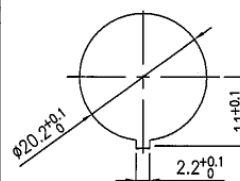
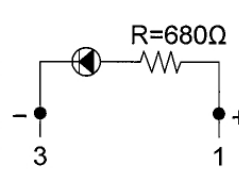
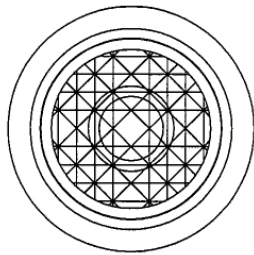


# Data Sheet

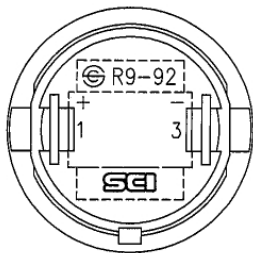
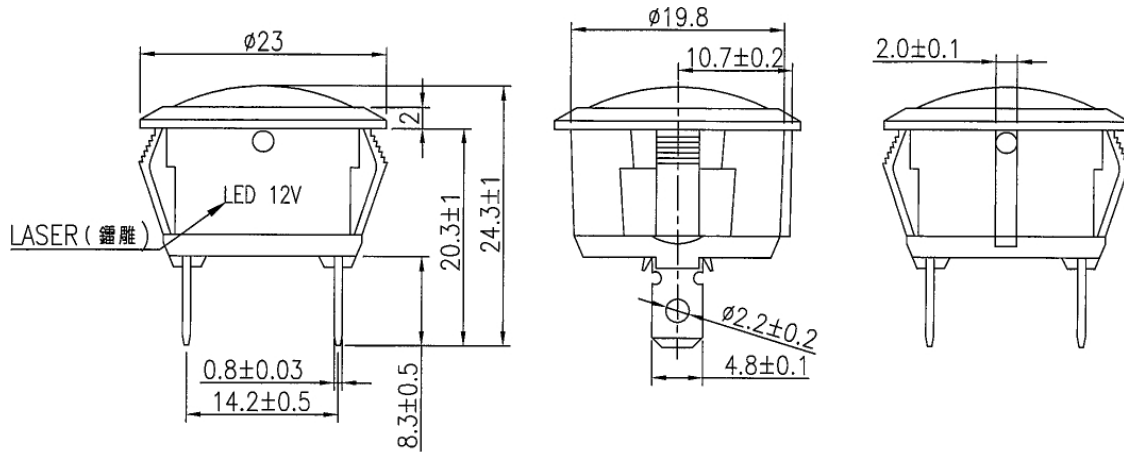
## LED indicator 12V DC, Green



| Rating                | 12V DC                | Mounting Hole  | Circuit Diagram   |
|-----------------------|-----------------------|--|---|
| Insulation Resistance | DC 500V 100M ohm Min. |  |  |
| Dielectric Strength   | AC 1500V 1 minute     |  |   |
| Operation Temperature | -20°C~+85°C           |  |   |
|                       |                       |  |   |



Material:  
 Frame: Black, nylon 66  
 Lens: Green, PC  
 Terminals: Tin plated brass  
 LED: Green



Tolerances  $\pm 0.3$  Unless Otherwise Specified