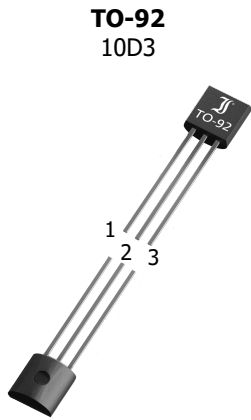
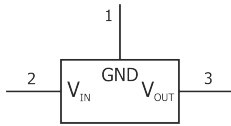


DI79LxxZAB Negative Fixed Voltage Regulators Negativ Festspannungs-Regler	V_{IN} = -30 ... -40 V V_{OUT} = -5.0 ... -24 V Tol. = ± 5%	I_o = 0.1 A T_{jmax} = 125°C
------------------------------------------------------------------------------------------------------	--------------------------------------------------------------------------------------------------------	-----------------------------------------------------------------

Version 2023-01-27



SPICE Model & STEP File ¹⁾



Marking Code
See next pages
siehe nächste Seiten

HS Code 85423990

Typical Applications

High efficiency linear regulators,
Active SCSI termination regulator
Post regulators for switch mode
DC-DC converters
Battery backed-up regulated supply
Commercial / industrial grade
Suffix -Q: AEC-Q101 compliant ¹⁾
Suffix -AQ: in AEC-Q101 qualification ¹⁾

Features

Thermal overload protection
Short circuit protection
Fixed voltage range:
-5.0V, -6.0V, -8.0V, -9.0V
-10V, -12V, -15V, -18V, -24V
Also available in SOT-89 and SO-8
Compliant to RoHS (w/o exemp.)
REACH, Conflict Minerals ¹⁾

Mechanical Data ¹⁾

In Bulk (Raster 1.27)
Weight approx. 0.18 g
Case material UL 94V-0
Solder & assembly conditions 260°C/10s
MSL = N/A

Typische Anwendungen

Hocheffiziente Linearregler
Aktive SCSI-Abschluss-Regler
Ausgangsregler für getaktete
Gleichstromwandler
Batterie-gestützte Spannungsversorgung
Standardausführung
Suffix -Q: AEC-Q101 konform ¹⁾
Suffix -AQ: in AEC-Q101 Qualifikation ¹⁾

Besonderheiten

Thermische Überlastsicherung
Kurzschlussfest
Festspannungswerte:
-5.0V, -6.0V, -8.0V, -9.0V
-10V, -12V, -15V, -18V, -24V
Auch erhältlich in SOT-89 und SO-8
Konform zu RoHS (ohne Ausn.)
REACH, Konfliktminerale ¹⁾

Mechanische Daten ¹⁾

Schüttgut (Raster 1.27)
Gewicht ca. 0.18 g
Gehäusematerial UL 94V-0
Löt- und Einbaubedingungen



Maximum ratings ²⁾

			Grenzwerte ²⁾
Input voltage Eingangsspannung	V _o = -5.0 ... -10V V _o = -12 ... -18V V _o = -24V	V _{IN}	-30 V -35 V -40 V
Output current – Ausgangsstrom	I _o	-	100 mA
Power dissipation Verlustleistung		P _{tot}	Internally limited ³⁾ Intern begrenzt ³⁾
Junction temperature – Sperrschichttemperatur		T _j	-40 ... +125°C
Storage temperature – Lagerungstemperatur		T _s	-55...+150°C

Application Note

Anwendungshinweis

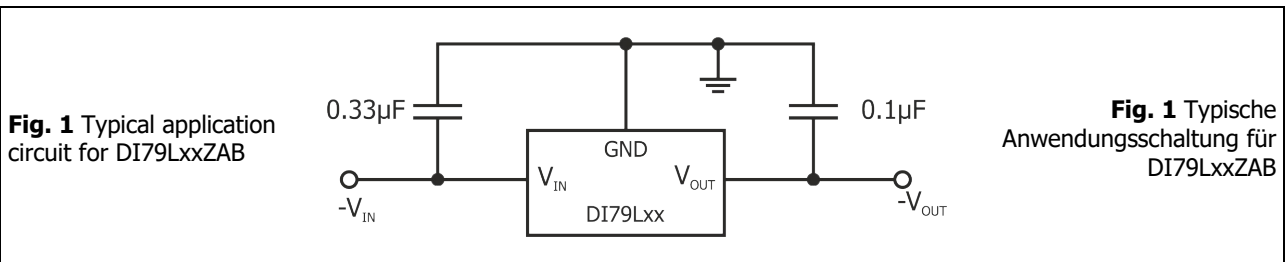


Fig. 1 Typical application circuit for DI79LxxZAB

Fig. 1 Typische Anwendungsschaltung für DI79LxxZAB

1 Please note the [detailed information on our website](#) or at the beginning of the data book
Bitte beachten Sie die [detaillierten Hinweise auf unserer Internetseite](#) bzw. am Anfang des Datenbuches
2 T_A = 25°C, unless otherwise specified – T_A = 25°C, wenn nicht anders angegeben
3 Maximum power dissipation at T_A: P_{tot} = (T_{jmax} – T_A)/R_{thA} – Maximale Verlustleistung bei T_A: P_{tot} = (T_{jmax} – T_A)/R_{thA}

Characteristics ^{1, 2)}
Kennwerte ^{1, 2)}

Type Code: D05Z	DI79L05ZAB	Min.	Typ.	Max.
Output voltage – Ausgangsspannung	V_{OUT}	-4.8 V	-5 V	-5.2 V
Output voltage – Ausgangsspannung $I_{OUT} = 1.0$ to 40 mA, $V_{IN} = -7$ to -20 V $I_{OUT} = 1.0$ to 70 mA, $V_{IN} = -10$ V	V_{OUT}	-4.75 V -4.75 V	- -	-5.25 V -5.25 V
Line Regulation – Betriebsspannungsdurchgriff $V_{IN} = -7.0$ to -20 V $V_{IN} = -8.0$ to -20 V	ΔV_{OUT}	-	-	150 mV 100 mV
Load Regulation – Lastregelung $I_{OUT} = 1.0$ to 100 mA $I_{OUT} = 1.0$ to 40 mA	ΔV_{OUT}	-	-	60 mV 30 mV
Quiescent current – Ruhestrom $T_j = 25^\circ\text{C}$ $T_j = 125^\circ\text{C}$	I_Q	-	-	6 mA 5.5 mA
Quiescent current Change – Ruhestromänderung $I_{OUT} = 1.0$ to 40 mA $V_{IN} = -8$ to -20 V	ΔI_Q	-	-	0.1 mA 1.5 mA
Ripple Rejection – Störspannungsunterdrückung $I_{OUT} = 40$ mA, $V_{IN} = 8$ to 18 V, $F = 120$ Hz	V_{RR}	41 dB	49 dB	-
Output Noise Voltage – Ausgangs-Rauschspannung $10\text{Hz} \leq B \leq 100\text{kHz}$		-	42 μV	-
Dropout voltage - Spannungsabfall	V_D	-	1.7 V	-
Typical thermal resistance junction to ambient Typischer Wärmewiderstand Sperrschicht – Umgebung	R_{thA}	200 K/W ²⁾		

1 $T_j = 25^\circ\text{C}$ and $V_{IN} = -10$ V, $I_o = 40$ mA, $C_i = 0.33\mu\text{F}$, $C_o = 0.1\mu\text{F}$, unless otherwise specified
 $T_j = 25^\circ\text{C}$ and $V_{IN} = -10$ V, $I_o = 40$ mA, $C_i = 0.33\mu\text{F}$, $C_o = 0.1\mu\text{F}$, wenn nicht anders angegeben

2 Valid, if leads are kept at ambient temperature at a distance of 2 mm from case
 Gültig wenn die Anschlussdrähte in 2 mm Abstand vom Gehäuse auf Umgebungstemperatur gehalten werden

Characteristics ¹⁾Kennwerte ^{1, 2)}

Type Code: D06Z	DI79L06ZAB	Min.	Typ.	Max.
Output voltage – Ausgangsspannung	V_{OUT}	-5.75 V	-6 V	-6.25 V
Output voltage – Ausgangsspannung $I_{OUT} = 1.0$ to 40 mA, $V_{IN} = -8$ to -20 V $I_{OUT} = 1.0$ to 70 mA, $V_{IN} = -12$ V	V_{OUT}	-5.7 V -5.7 V	- -	-6.3 V -6.3 V
Line Regulation – Betriebsspannungsdurchgriff $V_{IN} = -8.0$ to -20 V $V_{IN} = -9.0$ to -20 V	ΔV_{OUT}	-	-	175 mV 125 mV
Load Regulation – Lastregelung $I_{OUT} = 1.0$ to 100 mA $I_{OUT} = 1.0$ to 40 mA	ΔV_{OUT}	-	-	80 mV 40 mV
Quiescent current – Ruhestrom $T_j = 25^\circ\text{C}$ $T_j = 125^\circ\text{C}$	I_Q	-	-	6 mA 5.5 mA
Quiescent current Change – Ruhestromänderung $I_{OUT} = 1.0$ to 40 mA $V_{IN} = -9.0$ to -20 V	ΔI_Q	-	-	0.1 mA 1.5 mA
Ripple Rejection – Störspannungsunterdrückung $I_{OUT} = 40$ mA, $V_{IN} = -9.0$ to -19 V, $F = 120$ Hz	V_{RR}	40 dB	48 dB	-
Output Noise Voltage – Ausgangs-Rauschspannung $10\text{Hz} \leq B \leq 100\text{kHz}$		-	46 μV	-
Dropout voltage - Spannungsabfall	V_D	-	1.7 V	-
Typical thermal resistance junction to ambient Typischer Wärmewiderstand Sperrschicht – Umgebung	R_{thA}	200 K/W ²⁾		

1 $T_j = 25^\circ\text{C}$ and $V_{IN} = -12$ V, $I_o = 40$ mA, $C_i = 0.33\mu\text{F}$, $C_o = 0.1\mu\text{F}$, unless otherwise specified
 $T_j = 25^\circ\text{C}$ and $V_{IN} = -12$ V, $I_o = 40$ mA, $C_i = 0.33\mu\text{F}$, $C_o = 0.1\mu\text{F}$, wenn nicht anders angegeben

2 Valid, if leads are kept at ambient temperature at a distance of 2 mm from case
 Gültig wenn die Anschlussdrähte in 2 mm Abstand vom Gehäuse auf Umgebungstemperatur gehalten werden

Characteristics ¹⁾
Kennwerte ^{1, 2)}

Type Code: D08Z	DI79L08ZAB	Min.	Typ.	Max.
Output voltage – Ausgangsspannung	V_{OUT}	-7.7 V	-8 V	-8.3 V
Output voltage – Ausgangsspannung $I_{OUT} = 1.0$ to 40 mA, $V_{IN} = -11.5$ to -23 V $I_{OUT} = 1.0$ to 70 mA, $V_{IN} = -14$ V	V_{OUT}	-7.6 V -7.6 V	- -	-8.4 V -8.4 V
Line Regulation – Betriebsspannungsdurchgriff $V_{IN} = -10.5$ to -23 V $V_{IN} = -11$ to -23 V	ΔV_{OUT}	-	-	175 mV 125 mV
Load Regulation – Lastregelung $I_{OUT} = 1.0$ to 100 mA $I_{OUT} = 1.0$ to 40 mA	ΔV_{OUT}	-	-	80 mV 40 mV
Quiescent current – Ruhestrom $T_j = 25^\circ\text{C}$ $T_j = 125^\circ\text{C}$	I_Q	-	-	6 mA 5.5 mA
Quiescent current Change – Ruhestromänderung $I_{OUT} = 1.0$ to 40 mA $V_{IN} = -11$ to -23 V	ΔI_Q	-	-	0.1 mA 1.5 mA
Ripple Rejection – Störspannungsunterdrückung $I_{OUT} = 40$ mA, $V_{IN} = -12$ to -22 V, $F = 120$ Hz	V_{RR}	37 dB	46 dB	-
Output Noise Voltage – Ausgangs-Rauschspannung $10\text{Hz} \leq B \leq 100\text{kHz}$		-	54 μV	-
Dropout voltage - Spannungsabfall	V_D	-	1.7 V	-
Typical thermal resistance junction to ambient Typischer Wärmewiderstand Sperrschicht – Umgebung	R_{thA}	200 K/W ²⁾		

1 $T_j = 25^\circ\text{C}$ and $V_{IN} = -14$ V, $I_o = 40$ mA, $C_i = 0.33\mu\text{F}$, $C_o = 0.1\mu\text{F}$, unless otherwise specified
 $T_j = 25^\circ\text{C}$ and $V_{IN} = -14$ V, $I_o = 40$ mA, $C_i = 0.33\mu\text{F}$, $C_o = 0.1\mu\text{F}$, wenn nicht anders angegeben

2 Valid, if leads are kept at ambient temperature at a distance of 2 mm from case
 Gültig wenn die Anschlussdrähte in 2 mm Abstand vom Gehäuse auf Umgebungstemperatur gehalten werden

Characteristics ¹⁾**Kennwerte ^{1, 2)}**

Type Code: D09Z	DI79L09ZAB	Min.	Typ.	Max.
Output voltage – Ausgangsspannung	V_{OUT}	-8.6 V	-9.0 V	-9.4 V
Output voltage – Ausgangsspannung $I_{OUT} = 1.0$ to 40 mA, $V_{IN} = -12$ to -24 V $I_{OUT} = 1.0$ to 70 mA, $V_{IN} = -15$ V	V_{OUT}	-8.55 V -8.55 V	- -	-9.45 V -9.45 V
Line Regulation – Betriebsspannungsdurchgriff $V_{IN} = -12$ to -24 V $V_{IN} = -13$ to -24 V	ΔV_{OUT}	-	-	175 mV 125 mV
Load Regulation – Lastregelung $I_{OUT} = 1.0$ to 100 mA $I_{OUT} = 1.0$ to 40 mA	ΔV_{OUT}	-	-	90 mV 40 mV
Quiescent current – Ruhestrom $T_j = 25^\circ\text{C}$ $T_j = 125^\circ\text{C}$	I_Q	-	-	6 mA 5.5 mA
Quiescent current Change – Ruhestromänderung $I_{OUT} = 1.0$ to 40 mA $V_{IN} = -13$ to -24 V	ΔI_Q	-	-	0.1 mA 1.5 mA
Ripple Rejection – Störspannungsunterdrückung $I_{OUT} = 40$ mA, $V_{IN} = -13$ to -23 V, $F = 120$ Hz	V_{RR}	38 dB	45 dB	-
Output Noise Voltage – Ausgangs-Rauschspannung $10\text{Hz} \leq B \leq 100\text{kHz}$		-	58 μV	-
Dropout voltage - Spannungsabfall	V_D	-	1.7 V	-
Typical thermal resistance junction to ambient Typischer Wärmewiderstand Sperrschicht – Umgebung	R_{thA}	200 K/W ²⁾		

1 $T_j = 25^\circ\text{C}$ and $V_{IN} = -15$ V, $I_o = 40$ mA, $C_i = 0.33\mu\text{F}$, $C_o = 0.1\mu\text{F}$, unless otherwise specified
 $T_j = 25^\circ\text{C}$ and $V_{IN} = -15$ V, $I_o = 40$ mA, $C_i = 0.33\mu\text{F}$, $C_o = 0.1\mu\text{F}$, wenn nicht anders angegeben

2 Valid, if leads are kept at ambient temperature at a distance of 2 mm from case
 Gültig wenn die Anschlussdrähte in 2 mm Abstand vom Gehäuse auf Umgebungstemperatur gehalten werden

Characteristics ¹⁾
Kennwerte ^{1, 2)}

Type Code: D0AZ	DI79L10ZAB	Min.	Typ.	Max.
Output voltage – Ausgangsspannung	V_{OUT}	-9.6 V	-10.0 V	-10.4 V
Output voltage – Ausgangsspannung $I_{OUT} = 1.0$ to 40 mA, $V_{IN} = -13$ to -25 V $I_{OUT} = 1.0$ to 70 mA, $V_{IN} = -17$ V	V_{OUT}	-9.5 V -9.5 V	- -	-10.5 V -10.5 V
Line Regulation – Betriebsspannungsdurchgriff $V_{IN} = -13$ to -25 V $V_{IN} = -14$ to -25 V	ΔV_{OUT}	-	-	175 mV 125 mV
Load Regulation – Lastregelung $I_{OUT} = 1.0$ to 100 mA $I_{OUT} = 1.0$ to 40 mA	ΔV_{OUT}	-	-	90 mV 40 mV
Quiescent current – Ruhestrom $T_j = 25^\circ\text{C}$ $T_j = 125^\circ\text{C}$	I_Q	-	-	6 mA 5.5 mA
Quiescent current Change – Ruhestromänderung $I_{OUT} = 1.0$ to 40 mA $V_{IN} = -14$ to -25 V	ΔI_Q	-	-	0.1 mA 1.5 mA
Ripple Rejection – Störspannungsunterdrückung $I_{OUT} = 40$ mA, $V_{IN} = -14$ to -24 V, $F = 120$ Hz	V_{RR}	37 dB	44 dB	-
Output Noise Voltage – Ausgangs-Rauschspannung $10\text{Hz} \leq B \leq 100\text{kHz}$		-	62 μV	-
Dropout voltage - Spannungsabfall	V_D	-	1.7 V	-
Typical thermal resistance junction to ambient Typischer Wärmewiderstand Sperrschicht – Umgebung	R_{thA}	200 K/W ²⁾		

1 $T_j = 25^\circ\text{C}$ and $V_{IN} = -17$ V, $I_o = 40$ mA, $C_i = 0.33\mu\text{F}$, $C_o = 0.1\mu\text{F}$, unless otherwise specified
 $T_j = 25^\circ\text{C}$ and $V_{IN} = -17$ V, $I_o = 40$ mA, $C_i = 0.33\mu\text{F}$, $C_o = 0.1\mu\text{F}$, wenn nicht anders angegeben

2 Valid, if leads are kept at ambient temperature at a distance of 2 mm from case
 Gültig wenn die Anschlussdrähte in 2 mm Abstand vom Gehäuse auf Umgebungstemperatur gehalten werden

Characteristics ¹⁾**Kennwerte ^{1, 2)}**

Type Code: DA2Z	DI79L12ZAB	Min.	Typ.	Max.
Output voltage – Ausgangsspannung	V_{OUT}	-11.5 V	-12.0 V	-12.5 V
Output voltage – Ausgangsspannung $I_{OUT} = 1.0$ to 40 mA, $V_{IN} = -14$ to -27 V $I_{OUT} = 1.0$ to 70 mA, $V_{IN} = -19$ V	V_{OUT}	-11.4 V -11.4 V	- -	-12.6 V -12.6 V
Line Regulation – Betriebsspannungsdurchgriff $V_{IN} = -14.5$ to -27 V $V_{IN} = -16$ to -27 V	ΔV_{OUT}	-	-	250 mV 200 mV
Load Regulation – Lastregelung $I_{OUT} = 1.0$ to 100 mA $I_{OUT} = 1.0$ to 40 mA	ΔV_{OUT}	-	-	100 mV 50 mV
Quiescent current – Ruhestrom $T_j = 25^\circ\text{C}$ $T_j = 125^\circ\text{C}$	I_Q	-	-	6.5 mA 6.0 mA
Quiescent current Change – Ruhestromänderung $I_{OUT} = 1.0$ to 40 mA $V_{IN} = -16$ to -27 V	ΔI_Q	-	-	0.1 mA 1.5 mA
Ripple Rejection – Störspannungsunterdrückung $I_{OUT} = 40$ mA, $V_{IN} = -15$ to -25 V, $F = 120$ Hz	V_{RR}	37 dB	42 dB	-
Output Noise Voltage – Ausgangs-Rauschspannung $10\text{Hz} \leq B \leq 100\text{kHz}$		-	70 μV	-
Dropout voltage - Spannungsabfall	V_D	-	1.7 V	-
Typical thermal resistance junction to ambient Typischer Wärmewiderstand Sperrschicht – Umgebung	R_{thA}	200 K/W ²⁾		

1 $T_j = 25^\circ\text{C}$ and $V_{IN} = -19$ V, $I_o = 40$ mA, $C_i = 0.33\mu\text{F}$, $C_o = 0.1\mu\text{F}$, unless otherwise specified
 $T_j = 25^\circ\text{C}$ and $V_{IN} = -19$ V, $I_o = 40$ mA, $C_i = 0.33\mu\text{F}$, $C_o = 0.1\mu\text{F}$, wenn nicht anders angegeben

2 Valid, if leads are kept at ambient temperature at a distance of 2 mm from case
 Gültig wenn die Anschlussdrähte in 2 mm Abstand vom Gehäuse auf Umgebungstemperatur gehalten werden

Characteristics ¹⁾
Kennwerte ^{1, 2)}

Type Code: DA5Z	DI79L15ZAB	Min.	Typ.	Max.
Output voltage – Ausgangsspannung	V_{OUT}	-14.4 V	-15.0 V	-15.6 V
Output voltage – Ausgangsspannung $I_{OUT} = 1.0$ to 40 mA, $V_{IN} = -17.5$ to -30 V $I_{OUT} = 1.0$ to 70 mA, $V_{IN} = -23$ V	V_{OUT}	-14.25 V -14.25 V	- -	-15.75 V -15.75 V
Line Regulation – Betriebsspannungsdurchgriff $V_{IN} = -17.5$ to -30 V $V_{IN} = -19.0$ to -30 V	ΔV_{OUT}	-	-	300 mV 250 mV
Load Regulation – Lastregelung $I_{OUT} = 1.0$ to 100 mA $I_{OUT} = 1.0$ to 40 mA	ΔV_{OUT}	-	-	150 mV 75 mV
Quiescent current – Ruhestrom $T_j = 25^\circ\text{C}$ $T_j = 125^\circ\text{C}$	I_Q	-	-	6.5 mA 6.0 mA
Quiescent current Change – Ruhestromänderung $I_{OUT} = 1.0$ to 40 mA $V_{IN} = -19$ to -30 V	ΔI_Q	-	-	0.1 mA 1.5 mA
Ripple Rejection – Störspannungsunterdrückung $I_{OUT} = 40$ mA, $V_{IN} = -18.5$ to -28.5 V, $F = 120$ Hz	V_{RR}	34 dB	39 dB	-
Output Noise Voltage – Ausgangs-Rauschspannung $10\text{Hz} \leq B \leq 100\text{kHz}$		-	82 μV	-
Dropout voltage - Spannungsabfall	V_D	-	1.7 V	-
Typical thermal resistance junction to ambient Typischer Wärmewiderstand Sperrschicht – Umgebung	R_{thA}	200 K/W ²⁾		

1 $T_j = 25^\circ\text{C}$ and $V_{IN} = -23$ V, $I_o = 40$ mA, $C_i = 0.33\mu\text{F}$, $C_o = 0.1\mu\text{F}$, unless otherwise specified
 $T_j = 25^\circ\text{C}$ and $V_{IN} = -23$ V, $I_o = 40$ mA, $C_i = 0.33\mu\text{F}$, $C_o = 0.1\mu\text{F}$, wenn nicht anders angegeben

2 Valid, if leads are kept at ambient temperature at a distance of 2 mm from case
 Gültig wenn die Anschlussdrähte in 2 mm Abstand vom Gehäuse auf Umgebungstemperatur gehalten werden

Characteristics ¹⁾**Kennwerte ^{1, 2)}**

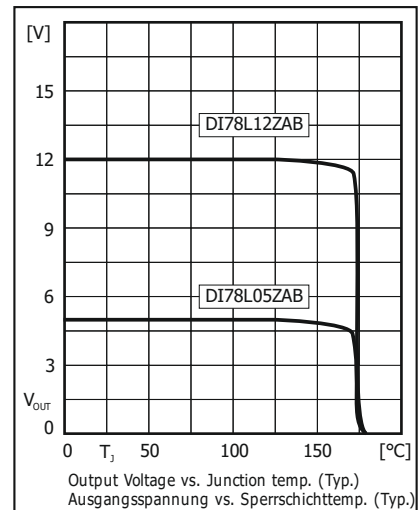
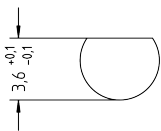
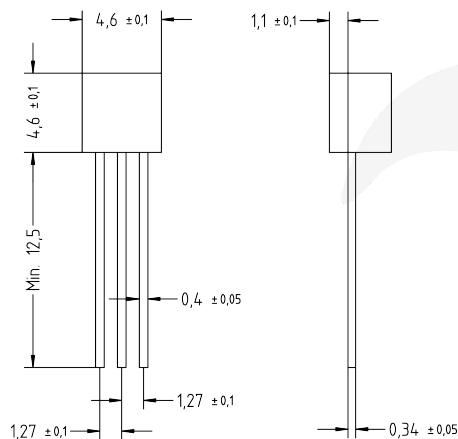
Type Code: DA8Z	DI79L18ZAB	Min.	Typ.	Max.
Output voltage – Ausgangsspannung	V_{OUT}	-17.3 V	-18.0 V	-18.7 V
Output voltage – Ausgangsspannung $I_{OUT} = 1.0$ to 40 mA, $V_{IN} = -20.5$ to -33 V $I_{OUT} = 1.0$ to 70 mA, $V_{IN} = -26$ V	V_{OUT}	-17.1 V -17.1 V	- -	-18.9 V -18.9 V
Line Regulation – Betriebsspannungsdurchgriff $V_{IN} = -20.5$ to -33 V $V_{IN} = -22.0$ to -33 V	ΔV_{OUT}	-	-	360 mV 300 mV
Load Regulation – Lastregelung $I_{OUT} = 1.0$ to 100 mA $I_{OUT} = 1.0$ to 40 mA	ΔV_{OUT}	-	-	180 mV 90 mV
Quiescent current – Ruhestrom $T_j = 25^\circ\text{C}$ $T_j = 125^\circ\text{C}$	I_Q	-	-	6.5 mA 6.0 mA
Quiescent current Change – Ruhestromänderung $I_{OUT} = 1.0$ to 40 mA $V_{IN} = -22$ to -33 V	ΔI_Q	-	-	0.1 mA 1.5 mA
Ripple Rejection – Störspannungsunterdrückung $I_{OUT} = 40$ mA, $V_{IN} = -23$ to -31.5 V, $F = 120$ Hz	V_{RR}	32 dB	36 dB	-
Output Noise Voltage – Ausgangs-Rauschspannung $10\text{Hz} \leq B \leq 100\text{kHz}$		-	90 μV	-
Dropout voltage - Spannungsabfall	V_D	-	1.7 V	-
Typical thermal resistance junction to ambient Typischer Wärmewiderstand Sperrschicht – Umgebung	R_{thA}	200 K/W ²⁾		

1 $T_j = 25^\circ\text{C}$ and $V_{IN} = -26$ V, $I_o = 40$ mA, $C_i = 0.33\mu\text{F}$, $C_o = 0.1\mu\text{F}$, unless otherwise specified
 $T_j = 25^\circ\text{C}$ and $V_{IN} = -26$ V, $I_o = 40$ mA, $C_i = 0.33\mu\text{F}$, $C_o = 0.1\mu\text{F}$, wenn nicht anders angegeben

2 Valid, if leads are kept at ambient temperature at a distance of 2 mm from case
 Gültig wenn die Anschlussdrähte in 2 mm Abstand vom Gehäuse auf Umgebungstemperatur gehalten werden

Characteristics ¹⁾
Kennwerte ^{1, 2)}

Type Code: DB4Z	DI79L24ZAB	Min.	Typ.	Max.
Output voltage – Ausgangsspannung	V_{OUT}	-23.0 V	-24.0 V	-25.0 V
Output voltage – Ausgangsspannung $I_{OUT} = 1.0$ to 40 mA, $V_{IN} = -27$ to -38 V $I_{OUT} = 1.0$ to 70 mA, $V_{IN} = -33$ V	V_{OUT}	-22.8 V -22.8 V	- -	-25.2 V -25.2 V
Line Regulation – Betriebsspannungsdurchgriff $V_{IN} = -27$ to -38 V $V_{IN} = -28$ to -38 V	ΔV_{OUT}	-	-	480 mV 400 mV
Load Regulation – Lastregelung $I_{OUT} = 1.0$ to 100 mA $I_{OUT} = 1.0$ to 40 mA	ΔV_{OUT}	-	-	240 mV 120 mV
Quiescent current – Ruhestrom $T_j = 25^\circ\text{C}$ $T_j = 125^\circ\text{C}$	I_Q	-	-	6.5 mA 6.0 mA
Quiescent current Change – Ruhestromänderung $I_{OUT} = 1.0$ to 40 mA $V_{IN} = -28$ to -38 V	ΔI_Q	-	-	0.1 mA 1.5 mA
Ripple Rejection – Störspannungsunterdrückung $I_{OUT} = 40$ mA, $V_{IN} = -29$ to -35 V, $F = 120$ Hz	V_{RR}	30 dB	33 dB	-
Output Noise Voltage – Ausgangs-Rauschspannung $10\text{Hz} \leq B \leq 100\text{kHz}$		-	100 μV	-
Dropout voltage - Spannungsabfall	V_D	-	1.7 V	-
Typical thermal resistance junction to ambient Typischer Wärmewiderstand Sperrschicht – Umgebung	R_{thA}	200 K/W ²⁾		

Dimensions – Maße [mm]


Disclaimer: See data book page 2 or [website](#)

Haftungsausschluss: Siehe Datenbuch Seite 2 oder [Internet](#)

- $T_j = 25^\circ\text{C}$ and $V_{IN} = -33$ V, $I_o = 40$ mA, $C_i = 0.33\mu\text{F}$, $C_o = 0.1\mu\text{F}$, unless otherwise specified
 $T_j = 25^\circ\text{C}$ and $V_{IN} = -33$ V, $I_o = 40$ mA, $C_i = 0.33\mu\text{F}$, $C_o = 0.1\mu\text{F}$, wenn nicht anders angegeben
- Valid, if leads are kept at ambient temperature at a distance of 2 mm from case
Gültig wenn die Anschlussdrähte in 2 mm Abstand vom Gehäuse auf Umgebungstemperatur gehalten werden

All rights reserved

The information presented in our data sheets and other documents is to the best of our knowledge true and accurate. It describes the type of component or application and shall not be considered as assured characteristics. No warranty or guarantee, expressed or implied is made regarding the capacity, delivery, performance or suitability of any product or circuit etc, neither does it convey any license under the patent rights of others. Diotec reserves the right to make changes without further notice. However, regular updating of all product information is provided on our website ¹⁾. All Diotec products are sold and shipped subject to our "Standard Terms and Conditions of Business" ²⁾. The reproduction of all documents is prohibited without the expressed written permission of Diotec Semiconductor AG's Managing Board.

Disclaimer

1. All products described or contained are designed and intended for use in standard applications, so called commercial/industrial grade, requiring an ordinary level of reliability.

2. Some products are available with the special grades "AEC-Q101 compliant" respectively "AEC-Q101 qualified". These are intended for applications up to ASIL B, but not for ASIL C or D ³⁾.

3. Customers using these parts in applications requiring a special or specific grade of quality or reliability, such as (but not limited to) life supporting medical, defence, aerospace, submarines, nuclear power etc, are obliged to validate whether the use in such cases is appropriate. Usage in medical devices is limited to applications with maximum class I according to Regulation (EU) 2017/745.

Usage in all such cases is on the own and sole risk of the customer.

4. If these products are to be used in applications requiring a special or specific grade of quality or reliability (refer to item 3.), in which failure or malfunction of the product may directly affect human life or health, user shall contact in advance Diotec Semiconductor AG's Managing Board (Heitersheim, Germany) to confirm that the intended use of the product is appropriate.

5. Although Diotec continuously enhances the quality and reliability of its products, customers must incorporate sufficient safety measures in their designs, such as redundancy, fire containment, and anti-failure, so that personal injury, fire or environmental damage can be prevented. Diotec excludes explicitly every implied warranty or liability regarding the fitness of the products to any other than standard applications.

6. All information described or contained herein are subject to change without notice. Please contact Diotec to obtain the latest information before incorporating Diotec products into any design.

7. All information described and contained herein are intended only to enable the buyer to order Diotec's products. The information must not be used for any other purpose.

8. In the event that any product described or contained herein falls under the category of strategic products controlled by the Bundesamt für Wirtschaft und Ausfuhrkontrolle, Germany, this product must not be exported without obtaining an export license from the Bundesministerium für Wirtschaft und Technologie, Germany in accordance with the valid laws.

Alle Rechte vorbehalten

Die Angaben in unseren Datenblättern und sonstigen Dokumenten sind nach bestem Wissen gemacht. Sie dienen jedoch allein der Beschreibung und sind nicht als zugesagte Eigenschaften im Rechts-Sinne zu verstehen. Es wird keine Gewähr bezüglich Liefermöglichkeit, Ausführung oder Einsatzmöglichkeit der Bauelemente übernommen, noch dass die angegebenen Bauelemente, Baugruppen, Schaltungen etc. frei von Schutzrechten sind.

Wir behalten uns Änderungen der aufgeführten Daten ohne vorherige Ankündigung vor. Alle Änderungen werden jedoch regelmäßig auf unserer Internet-Seite veröffentlicht ¹⁾. Verkauf und Lieferung von Diotec-Produkten erfolgt gemäß unseren "Allgemeinen Geschäftsbedingungen" ²⁾. Die Vervielfältigung aller Dokumente ist nur mit schriftlicher Genehmigung des Vorstandes der Diotec Semiconductor AG gestattet.

Haftungsausschluss

1. Alle beschriebenen oder enthaltenen Produkte sind für den Gebrauch in Standardanwendungen mit einem gewöhnlichen Zuverlässigkeitsniveau entworfen und bestimmt, bekannt als kommerziell/industrielle Anwendungen.

2. Einige Produkte sind mit den speziellen Qualifikationen „AEC-Q101 konform“ oder „AEC-Q101 qualifiziert“ erhältlich. Diese sind für Anwendungen bis maximal ASIL B bestimmt, nicht aber für ASIL C oder D ³⁾.

3. Falls diese Produkte in Anwendungen verwendet werden sollen, die einen besonderen Grad der Qualität oder Zuverlässigkeit erfordern, z. B. (aber nicht begrenzt auf) lebenserhaltende Medizintechnik, Verteidigung, Luft- und Raumfahrt, Unterwasserfahrzeuge, Nukleartechnik etc. ist der Anwender verpflichtet sicherzustellen, dass der beabsichtigte Gebrauch des vorgesehenen Produktes unbedenklich ist. Die Anwendung in Medizinprodukten ist für Anwendungen mit höchstens Klasse I gemäß Verordnung (EU) 2017/745 zulässig.

Der Gebrauch für alle solche Anwendungen erfolgt auf eigenes und ausschließliches Risiko des Anwenders.

4. Falls diese Produkte in Anwendungen verwendet werden sollen, die einen besonderen Grad der Qualität oder Zuverlässigkeit erfordern (siehe Punkt 3.), insbesondere wenn durch Ausfall oder eine Störung des Produktes menschliches Leben oder Gesundheit direkt beeinflusst werden kann, muss im Voraus der Vorstand der Diotec Semiconductor AG (Heitersheim, Deutschland) bestätigen, dass der beabsichtigte Gebrauch des vorgesehenen Produktes unbedenklich ist.

5. Obwohl Diotec die Qualität und die Zuverlässigkeit seiner Produkte beständig erhöht, müssen Kunden ausreichende Sicherheitsvorkehrungen in ihren Designs vornehmen – wie Redundanz, Feuereindämmung und Ausfallschutz – damit Personenschäden, Feuer oder Umweltschädigung verhindert werden können. Diotec schließt ausdrücklich jede implizierte Garantie oder Verbindlichkeit aus, welche die Eignung der Produkte zu irgendwelchen anderen als Standardanwendungen betrifft.

6. Alle Informationen, die hier beschrieben oder enthalten sind, können jederzeit ohne jede Benachrichtigung geändert werden. Vor Einsatz eines Diotec Produktes in irgendeiner Anwendung sind bei Diotec die neuesten Informationen einzuholen.

7. Alle Informationen, die hier beschrieben oder enthalten sind, sollen dem Kunden nur ermöglichen, Diotec Produkte zu bestellen. Die Informationen dürfen zu keinem anderen Zweck verwendet werden.

8. Sollte ein hier beschriebenes oder enthaltenes Produkt unter Beschränkungen fallen, die durch das deutsche Bundesamt für Wirtschaft und Ausfuhrkontrolle geregelt werden, darf dieses Produkt in Übereinstimmung mit den gültigen Gesetzen nicht ohne Exportgenehmigung vom deutschen Bundesministerium für Wirtschaft und Technologie exportiert werden.

1 Refer to <http://diotec.com/> "Products/Product Changes" respectively "News/Datasheets"
Siehe <http://diotec.com/> „Produkte/Produktänderungen“ bzw. „News/Datenblätter“

2 Refer data book or <http://diotec.com/> "Company" – Siehe Datenbuch oder <http://diotec.com/> „Unternehmen“

3 Refer to <http://diotec.com/> "Products/Information/Qualification/Commercial Grade and AEC-Q101"
Siehe <http://diotec.com/> „Produkte/Informationen/Qualifizierung/Standard und AEC-Q101“