

LDI1117xxU

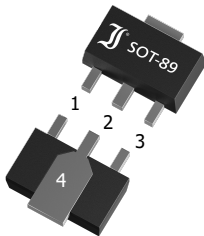
Adjustable and Fixed Low Drop Voltage Regulators
Einstellbare und Festspannungs-Low-Drop Regler

$V_{OUT} = V_{REF} \dots 13.65 \text{ V}$
 $V_{REF (adj)} = 1.25 \text{ V}$
 Tol. = $\pm 1.0\%$

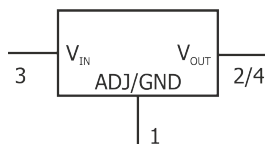
$I_{LIMIT} = \sim 1.35 \text{ A}$
 $T_{jmax} = 125^\circ\text{C}$

Version 2021-09-16

SOT-89



SPICE Model & STEP File ¹⁾



Marking Code

See next pages
 Siehe nächste Seiten

HS Code 85423990

Typical Applications

High efficiency linear regulators,
 Active SCSI termination regulator,
 Post regulators for switch mode
 DC-DC converters,
 Battery backed-up regulated supply
 Commercial grade ¹⁾

Features

Low Dropout Voltage (LDO):
 1.15V at 1A output current
 Integrated current limiting and
 thermal overload protection
 Narrow tolerance band
 Adjustable or with fixed voltage:
 1.2V, 1.5V, 1.8V, 2.5V, 3.3V, 5.0V
 Also available in SO-8 and
 SOT-223 packages
 Compliant to RoHS (w/o exemp.)
 REACH, Conflict Minerals ¹⁾

Mechanical Data ¹⁾

Taped and reeled 1000 / 7"
 Weight approx. 0.05 g
 Case material UL 94V-0
 Solder & assembly conditions 260°C/10s
 MSL = 3



Typische Anwendungen

Hocheffiziente Linearregler
 Aktive SCSI-Abschluss-Regler
 Ausgangsregler für getaktete
 Gleichstromwandler
 Batterie-gestützte Spannungsversorgung
 Standardausführung ¹⁾

Besonderheiten

Niedriger Spannungsabfall (LDO):
 1.15V bei 1A Ausgangsstrom
 Integrierte Strombegrenzung und
 thermische Überlastsicherung
 Enge Spannungstoleranz
 Einstellbar oder Festspannung:
 1.2V, 1.5V, 1.8V, 2.5V, 3.3V, 5.0V
 Auch erhältlich im SO-8 und
 SOT-223 Gehäuse
 Konform zu RoHS (ohne Ausn.)
 REACH, Konfliktminerale ¹⁾

Mechanische Daten ¹⁾

Gegurtet auf Rolle
 Gewicht ca.
 Gehäusematerial
 Löt- und Einbaubedingungen

Maximum ratings ²⁾

Grenzwerte ²⁾

Input voltage Eingangsspannung	V_{IN}	20 V
Power dissipation Verlustleistung	P_{tot}	Internally limited ³⁾
Junction temperature – Sperrschichttemperatur Storage temperature – Lagerungstemperatur	T_j T_s	+150°C -55...+150°C

Recommended operating area

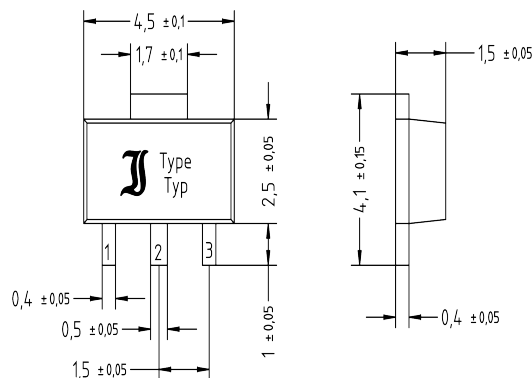
Empfohlener Betriebsbereich

		Min.	Max.
Input voltage Eingangsspannung	V_{IN}	-	15 V
Junction temperature Sperrschichttemperatur	T_j	-40°C	+125°C

- Please note the [detailed information on our website](#) or at the beginning of the data book
 Bitte beachten Sie die [detaillierten Hinweise auf unserer Internetseite](#) bzw. am Anfang des Datenbuches
- $T_A = 25^\circ\text{C}$, unless otherwise specified – $T_A = 25^\circ\text{C}$, wenn nicht anders angegeben
- The maximum power dissipation at ambient temperature: $P_{tot} = (T_{jmax} - T_A)/R_{\theta ja}$
 Maximale Verlustleistung bei Umgebungstemperatur: $P_{tot} = (T_{jmax} - T_A)/R_{\theta ja}$

Characteristics ¹⁾
Kennwerte ^{1, 2)}

Type Code: AADU	LDI1117-ADU	Min.	Typ.	Max.
Reference voltage – Referenzspannung				
$I_{OUT} = 10 \text{ mA}$, $V_{IN} - V_{OUT} = 2 \text{ V}$ $10 \text{ mA} \leq I_{OUT} \leq 1 \text{ A}$, $1.4 \text{ V} \leq V_{IN} - V_{OUT} \leq 8 \text{ V}$ $P \leq \text{Maximum Power Dissipation}$	V_{REF}	1.238 V 1.225 V	1.250 V 1.250 V	1.262 V 1.270 V
Line Regulation – Betriebsspannungsdurchgriff				
$I_{OUT} = 10 \text{ mA}$, $1.5 \text{ V} \leq V_{IN} - V_{OUT} \leq 10 \text{ V}$	ΔV_{OUT}	-	0.035%	0.2 %
Load Regulation – Lastregelung				
$V_{IN} - V_{OUT} = 2 \text{ V}$, $10 \text{ mA} \leq I_{OUT} \leq 1 \text{ A}$	ΔV_{OUT}	-	0.2 %	0.4 %
Dropout Voltage – Spannungsabfall				
$I_{OUT} = 0.1 \text{ A}$	V_D	-	1.00 V	1.1 V
$I_{OUT} = 0.5 \text{ A}$		-	1.08 V	1.18 V
$I_{OUT} = 1.0 \text{ A}$		-	1.15 V	1.25 V
Current Limit – Grenzstrom				
$V_{IN} - V_{OUT} = 2 \text{ V}$	I_{LIMIT}	1.25 A	1.35 A	-
Adjust Pin Current				
		-	60 μA	120 μA
Adjust Pin Current Change				
$1.4 \text{ V} \leq V_{IN} - V_{OUT} \leq 10 \text{ V}$, $10 \text{ mA} \leq I_{OUT} \leq 1 \text{ A}$		-	0.2 μA	5 μA
Minimum Load Current (Adjustable only)				
$1.5 \text{ V} \leq V_{IN} - V_{OUT} \leq 10 \text{ V}$ (Adjustable only)		-	1.7 mA	5 mA
Quiescent current – Ruhestrom				
$V_{IN} = V_{OUT} + 1.25 \text{ V}$	I_Q	-	5.0 mA	10 mA
Ripple Rejection – Störspannungsunterdrückung				
$I_{OUT} = 1 \text{ A}$, $f = 120 \text{ Hz}$, $T_j = 25^\circ\text{C}$ $V_{IN} - V_{OUT} = 3 \text{ V}$, $V_{ripple} = 1 \text{ V}_{pp}$	V_{RR}	50 dB	-	-
Temperature Stability – Temperaturstabilität				
		-	0.50%	-
RMS Output Noise (% of V_{OUT}) – Effektives Ausgangsrauschen				
$T_A = +25^\circ\text{C}$, $10 \text{ Hz} \leq f \leq 10 \text{ kHz}$		-	0.003 %	-
Typical thermal resistance junction to ambient Typischer Wärmewiderstand Sperrschicht – Umgebung				
	R_{thA}	250 K/W ²⁾		
Typical thermal resistance junction to case Typischer Wärmewiderstand Sperrschicht – Gehäuse				
	R_{thC}	20 K/W		

Dimensions – Maße [mm]


1 $T_j = 25^\circ\text{C}$ and $V_{IN} \leq 10 \text{ V}$, unless otherwise specified – $T_j = 25^\circ\text{C}$ und $V_{IN} \leq 10 \text{ V}$, wenn nicht anders angegeben

2 Mounted on PCB with $100 \times 100 \text{ mm}^2$ copper pad at terminal 4 – Montage auf Leiterplatte mit $100 \times 100 \text{ mm}^2$ Löt pad an Anschluss 4

Characteristics ¹⁾**Kennwerte ^{1, 2)}**

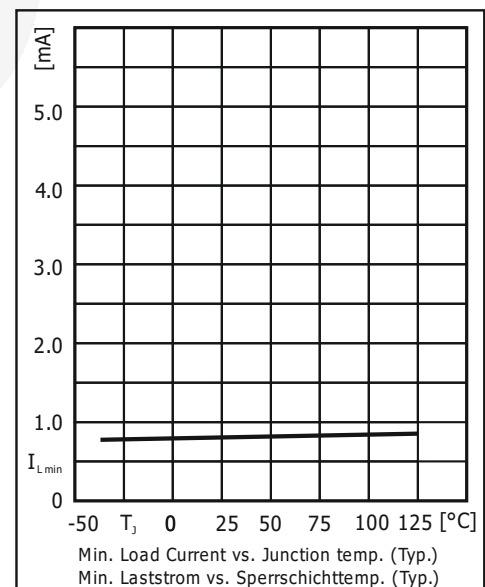
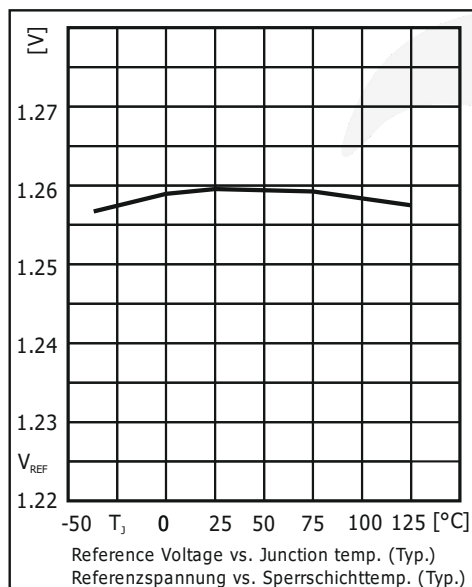
Type Code: A12U	LDI1117-1.2U	Min.	Typ.	Max.
Output voltage – Ausgangsspannung				
$I_{OUT} = 10 \text{ mA}, V_{IN} = 3.2 \text{ V}$ $10 \text{ mA} \leq I_{OUT} \leq 1 \text{ A}, 3.0 \text{ V} \leq V_{IN} \leq 10 \text{ V}$	V_{OUT}	1.176 V 1.152 V	1.2 V 1.2 V	1.224 V 1.248 V
Line Regulation – Betriebsspannungsdurchgriff				
$I_{OUT} = 10 \text{ mA}, 1.5 \text{ V} \leq V_{IN} - V_{OUT} \leq 10 \text{ V}$	ΔV_{OUT}	-	1 mV	6 mV
Load Regulation – Lastregelung				
$V_{IN} - V_{OUT} = 2 \text{ V}, 10 \text{ mA} \leq I_{OUT} \leq 1 \text{ A}$	ΔV_{OUT}	-	1 mV	10 mV
Dropout Voltage – Spannungsabfall				
$I_{OUT} = 0.1 \text{ A}$	V_D	-	1.00 V	1.1 V
$I_{OUT} = 0.5 \text{ A}$		-	1.08 V	1.18 V
$I_{OUT} = 1.0 \text{ A}$		-	1.15 V	1.25 V
Current Limit – Grenzstrom				
$V_{IN} - V_{OUT} = 2 \text{ V}$	I_{LIMIT}	1.25 A	1.35 A	-
Quiescent current – Ruhestrom				
$V_{IN} = V_{OUT} + 1.25 \text{ V}$	I_Q	-	5.0 mA	10 mA
Ripple Rejection – Störspannungsunterdrückung				
$I_{OUT} = 1 \text{ A}, f = 120 \text{ Hz}, T_j = 25^\circ\text{C}$ $V_{IN} - V_{OUT} = 3 \text{ V}, V_{ripple} = 1 \text{ V}_{pp}$	V_{RR}	50 dB	-	-
Temperature Stability – Temperaturstabilität				
		-	0.50%	-
RMS Output Noise (% of V_{OUT}) – Effektives Ausgangsrauschen				
$T_A = +25^\circ\text{C}, 10 \text{ Hz} \leq f \leq 10 \text{ kHz}$		-	0.003%	-
Typical thermal resistance junction to ambient Typischer Wärmewiderstand Sperrschicht – Umgebung		R_{thA}	250 K/W ²⁾	
Typical thermal resistance junction to case Typischer Wärmewiderstand Sperrschicht – Gehäuse		R_{thC}	20 K/W	

1 $T_j = 25^\circ\text{C}$ and $V_{IN} \leq 10 \text{ V}$, unless otherwise specified – $T_j = 25^\circ\text{C}$ und $V_{IN} \leq 10 \text{ V}$, wenn nicht anders angegeben

2 Mounted on PCB with 100x100 mm² copper pad at terminal 4 – Montage auf Leiterplatte mit 100x100 mm² Löt-pad an Anschluss 4

Characteristics ¹⁾
Kennwerte ^{1,2)}

Type Code: A15U	LDI1117-1.5U	Min.	Typ.	Max.	
Output voltage – Ausgangsspannung $I_{OUT} = 10 \text{ mA}$, $V_{IN} = 3.5 \text{ V}$ $10 \text{ mA} \leq I_{OUT} \leq 1 \text{ A}$, $3.0 \text{ V} \leq V_{IN} \leq 10 \text{ V}$		V_{OUT}	1.485 V 1.470 V	1.5 V 1.5 V	1.515 V 1.530 V
Line Regulation – Betriebsspannungsdurchgriff $I_{OUT} = 10 \text{ mA}$, $1.5 \text{ V} \leq V_{IN} - V_{OUT} \leq 10 \text{ V}$		ΔV_{OUT}	-	1 mV	6 mV
Load Regulation – Lastregelung $V_{IN} - V_{OUT} = 2 \text{ V}$, $10 \text{ mA} \leq I_{OUT} \leq 1 \text{ A}$		ΔV_{OUT}	-	1 mV	10 mV
Dropout Voltage – Spannungsabfall $I_{OUT} = 0.1 \text{ A}$ $I_{OUT} = 0.5 \text{ A}$ $I_{OUT} = 1.0 \text{ A}$		V_D	- - -	1.00 V 1.08 V 1.15 V	1.1 V 1.18 V 1.25 V
Current Limit – Grenzstrom $V_{IN} - V_{OUT} = 2 \text{ V}$		I_{LIMIT}	1.25 A	1.35 A	-
Quiescent current – Ruhestrom $V_{IN} = V_{OUT} + 1.25 \text{ V}$		I_Q	-	5.0 mA	10 mA
Ripple Rejection – Störspannungsunterdrückung $I_{OUT} = 1 \text{ A}$, $f = 120 \text{ Hz}$, $T_j = 25^\circ\text{C}$ $V_{IN} - V_{OUT} = 3 \text{ V}$, $V_{ripple} = 1 \text{ V}_{pp}$		V_{RR}	50 dB	-	-
Temperature Stability – Temperaturstabilität			-	0.50%	-
RMS Output Noise (% of V_{OUT}) – Effektives Ausgangsrauschen $T_A = +25^\circ\text{C}$, $10 \text{ Hz} \leq f \leq 10 \text{ kHz}$			-	0.003%	-
Typical thermal resistance junction to ambient Typischer Wärmewiderstand Sperrschicht – Umgebung		R_{thA}	250 K/W ²⁾		
Typical thermal resistance junction to case Typischer Wärmewiderstand Sperrschicht – Gehäuse		R_{thC}	20 K/W		

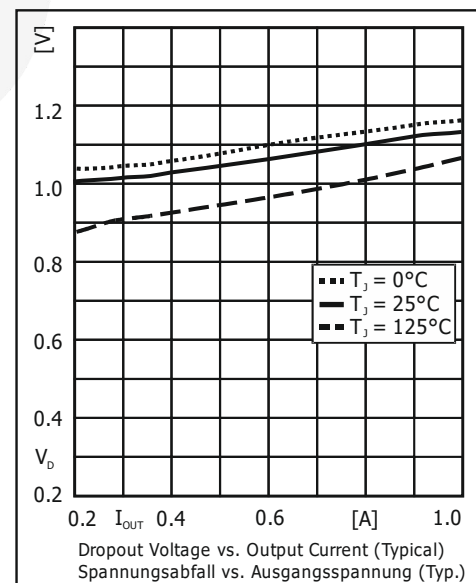
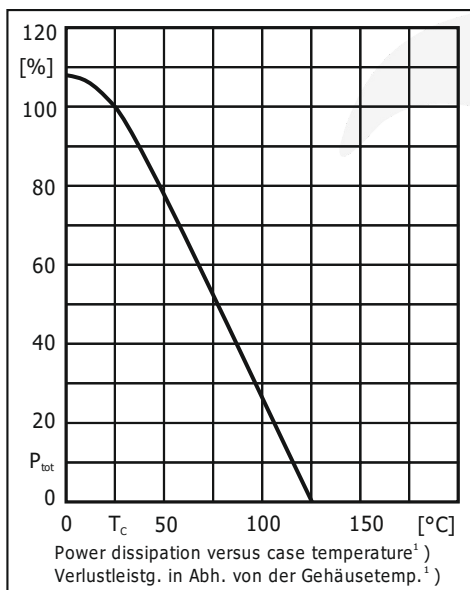


1 $T_j = 25^\circ\text{C}$ and $V_{IN} \leq 10 \text{ V}$, unless otherwise specified – $T_j = 25^\circ\text{C}$ und $V_{IN} \leq 10 \text{ V}$, wenn nicht anders angegeben

2 Mounted on PCB with 100x100 mm² copper pad at terminal 4 – Montage auf Leiterplatte mit 100x100 mm² Löt-pad an Anschluss 4

Characteristics ¹⁾**Kenwerte ^{1, 2)}**

Type Code: A18U	LDI1117-1.8U	Min.	Typ.	Max.	
Output voltage – Ausgangsspannung $I_{OUT} = 10 \text{ mA}$, $V_{IN} = 3.8 \text{ V}$ $10 \text{ mA} \leq I_{OUT} \leq 1 \text{ A}$, $3.2 \text{ V} \leq V_{IN} \leq 10 \text{ V}$		V_{OUT}	1.782 V 1.746 V	1.8 V 1.8 V	1.818 V 1.854 V
Line Regulation – Betriebsspannungsdurchgriff $I_{OUT} = 10 \text{ mA}$, $1.5 \text{ V} \leq V_{IN} - V_{OUT} \leq 10 \text{ V}$		ΔV_{OUT}	-	1 mV	6 mV
Load Regulation – Lastregelung $V_{IN} - V_{OUT} = 2 \text{ V}$, $10 \text{ mA} \leq I_{OUT} \leq 1 \text{ A}$		ΔV_{OUT}	-	1 mV	10 mV
Dropout Voltage – Spannungsabfall $I_{OUT} = 0.1 \text{ A}$ $I_{OUT} = 0.5 \text{ A}$ $I_{OUT} = 1.0 \text{ A}$		V_D	- - -	1.00 V 1.08 V 1.15 V	1.1 V 1.18 V 1.25 V
Current Limit – Grenzstrom $V_{IN} - V_{OUT} = 2 \text{ V}$		I_{LIMIT}	1.25 A	1.35 A	-
Quiescent current – Ruhestrom $V_{IN} = V_{OUT} + 1.25 \text{ V}$		I_Q	-	5.0 mA	10 mA
Ripple Rejection – Störspannungsunterdrückung $I_{OUT} = 1 \text{ A}$, $f = 120 \text{ Hz}$, $T_j = 25^\circ\text{C}$ $V_{IN} - V_{OUT} = 3 \text{ V}$, $V_{ripple} = 1 \text{ V}_{pp}$		V_{RR}	50 dB	-	-
Temperature Stability – Temperaturstabilität			-	0.50%	-
RMS Output Noise (% of V_{OUT}) – Effektives Ausgangsrauschen $T_A = +25^\circ\text{C}$, $10 \text{ Hz} \leq f \leq 10 \text{ kHz}$			-	0.003%	-
Typical thermal resistance junction to ambient Typischer Wärmewiderstand Sperrschicht – Umgebung		R_{thA}	250 K/W ²⁾		
Typical thermal resistance junction to case Typischer Wärmewiderstand Sperrschicht – Gehäuse		R_{thC}	20 K/W		

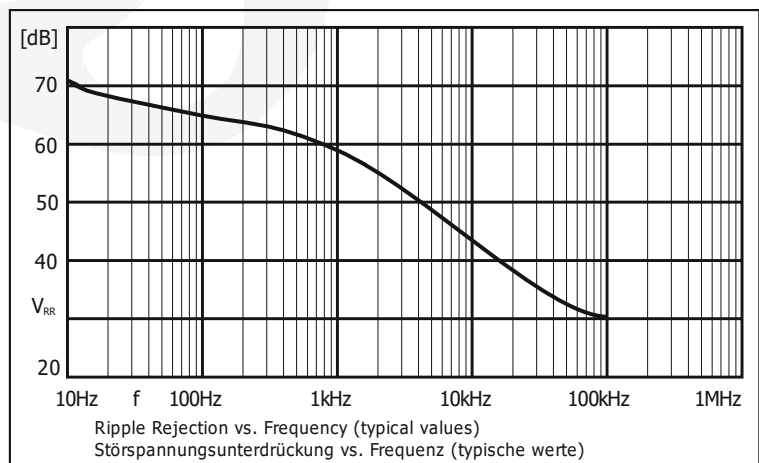
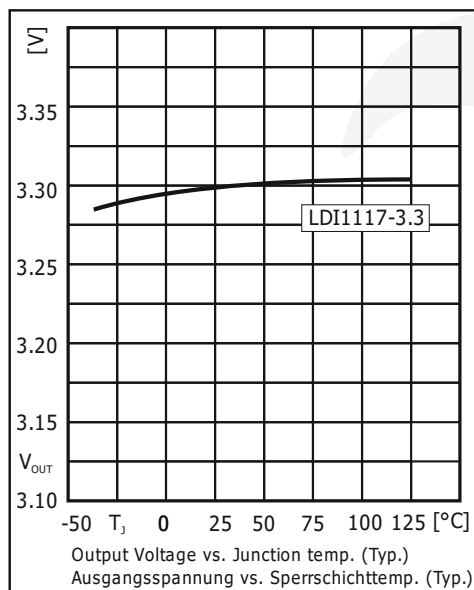


1 $T_j = 25^\circ\text{C}$ and $V_{IN} \leq 10 \text{ V}$, unless otherwise specified – $T_j = 25^\circ\text{C}$ und $V_{IN} \leq 10 \text{ V}$, wenn nicht anders angegeben

2 Mounted on PCB with 100x100 mm² copper pad at terminal 4 – Montage auf Leiterplatte mit 100x100 mm² Löt-pad an Anschluss 4

Characteristics ¹⁾
Kennwerte ^{1, 2)}

Type Code: A25U	LDI1117-2.5U	Min.	Typ.	Max.
Output voltage – Ausgangsspannung				
$I_{OUT} = 10 \text{ mA}, V_{IN} = 4.5 \text{ V}$ $10 \text{ mA} \leq I_{OUT} \leq 1 \text{ A}, 3.9 \text{ V} \leq V_{IN} \leq 10 \text{ V}$	V_{OUT}	2.475 V 2.450 V	2.5 V 2.5 V	2.525 V 2.550 V
Line Regulation – Betriebsspannungsdurchgriff				
$I_{OUT} = 10 \text{ mA}, 1.5 \text{ V} \leq V_{IN} - V_{OUT} \leq 10 \text{ V}$	ΔV_{OUT}	-	1 mV	6 mV
Load Regulation – Lastregelung				
$V_{IN} - V_{OUT} = 2 \text{ V}, 10 \text{ mA} \leq I_{OUT} \leq 1 \text{ A}$	ΔV_{OUT}	-	1 mV	10 mV
Dropout Voltage – Spannungsabfall				
$I_{OUT} = 0.1 \text{ A}$	V_D	-	1.00 V	1.1 V
$I_{OUT} = 0.5 \text{ A}$		-	1.08 V	1.18 V
$I_{OUT} = 1.0 \text{ A}$		-	1.15 V	1.25 V
Current Limit – Grenzstrom				
$V_{IN} - V_{OUT} = 2 \text{ V}$	I_{LIMIT}	1.25 A	1.35 A	-
Quiescent current – Ruhestrom				
$V_{IN} = V_{OUT} + 1.25 \text{ V}$	I_Q	-	5.0 mA	10 mA
Ripple Rejection – Störspannungsunterdrückung				
$I_{OUT} = 1 \text{ A}, f = 120 \text{ Hz}, T_j = 25^\circ\text{C}$ $V_{IN} - V_{OUT} = 3 \text{ V}, V_{ripple} = 1 \text{ V}_{pp}$	V_{RR}	50 dB	-	-
Temperature Stability – Temperaturstabilität				
		-	0.50%	-
RMS Output Noise (% of V_{OUT}) – Effektives Ausgangsrauschen				
$T_A = +25^\circ\text{C}, 10 \text{ Hz} \leq f \leq 10 \text{ kHz}$		-	0.003%	-
Typical thermal resistance junction to ambient Typischer Wärmewiderstand Sperrschicht – Umgebung		R_{thA}	250 K/W ²⁾	
Typical thermal resistance junction to case Typischer Wärmewiderstand Sperrschicht – Gehäuse		R_{thC}	20 K/W	



1 $T_j = 25^\circ\text{C}$ and $V_{IN} \leq 10 \text{ V}$, unless otherwise specified – $T_j = 25^\circ\text{C}$ und $V_{IN} \leq 10 \text{ V}$, wenn nicht anders angegeben

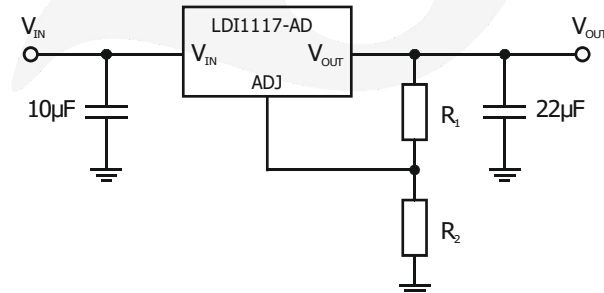
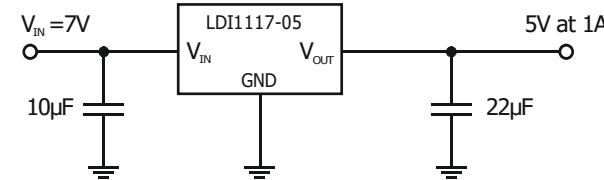
2 Mounted on PCB with 100x100 mm² copper pad at terminal 4 – Montage auf Leiterplatte mit 100x100 mm² Löt-pad an Anschluss 4

Characteristics ¹⁾Kennwerte ^{1, 2)}

Type Code: A33U	LDI1117-3.3U	Min.	Typ.	Max.	
Output voltage – Ausgangsspannung $I_{OUT} = 10 \text{ mA}$, $V_{IN} = 5.0 \text{ V}$ $10 \text{ mA} \leq I_{OUT} \leq 1 \text{ A}$, $4.75 \text{ V} \leq V_{IN} \leq 10 \text{ V}$		V_{OUT}	3.267V 3.235 V	3.3 V 3.3 V	3.333 V 3.365 V
Line Regulation – Betriebsspannungsdurchgriff $I_{OUT} = 10 \text{ mA}$, $1.5 \text{ V} \leq V_{IN} - V_{OUT} \leq 10 \text{ V}$		ΔV_{OUT}	-	1 mV	6 mV
Load Regulation – Lastregelung $V_{IN} - V_{OUT} = 2 \text{ V}$, $10 \text{ mA} \leq I_{OUT} \leq 1 \text{ A}$		ΔV_{OUT}	-	1 mV	10 mV
Dropout Voltage – Spannungsabfall $I_{OUT} = 0.1 \text{ A}$ $I_{OUT} = 0.5 \text{ A}$ $I_{OUT} = 1.0 \text{ A}$		V_D	- - -	1.00 V 1.08 V 1.15 V	1.1 V 1.18 V 1.25 V
Current Limit – Grenzstrom $V_{IN} - V_{OUT} = 2 \text{ V}$		I_{LIMIT}	1.25 A	1.35 A	-
Quiescent current – Ruhestrom $V_{IN} = V_{OUT} + 1.25 \text{ V}$		I_Q	-	5.0 mA	10 mA
Ripple Rejection – Störspannungsunterdrückung $I_{OUT} = 1 \text{ A}$, $f = 120 \text{ Hz}$, $T_j = 25^\circ\text{C}$ $V_{IN} - V_{OUT} = 3 \text{ V}$, $V_{ripple} = 1 \text{ V}_{pp}$		V_{RR}	50 dB	-	-
Temperature Stability – Temperaturstabilität			-	0.50%	-
RMS Output Noise (% of V_{OUT}) – Effektives Ausgangsrauschen $T_A = +25^\circ\text{C}$, $10 \text{ Hz} \leq f \leq 10 \text{ kHz}$			-	0.003%	-
Typical thermal resistance junction to ambient Typischer Wärmewiderstand Sperrschicht – Umgebung		R_{thA}	250 K/W ²⁾		
Typical thermal resistance junction to case Typischer Wärmewiderstand Sperrschicht – Gehäuse		R_{thC}	20 K/W		

Application Note

Applikationshinweis

<p>Fig. 1 Typical Application circuit for adjustable voltage regulator</p>  <p>$V_{OUT} = (1 + R_2/R_1) V_{REF} + I_{ADJ} \times R_2$</p>	<p>Fig. 1 Typische Anwendungsschaltung für einen einstellbaren Spannungsregler</p> <p>$V_{OUT} = (1 + R_2/R_1) V_{REF} + I_{ADJ} \times R_2$</p>
<p>Fig. 1 Typical application circuit for fixed voltage regulator</p> 	<p>Fig. 1 Typische Anwendungsschaltung für Festspannungsregler</p>

1 $T_j = 25^\circ\text{C}$ and $V_{IN} \leq 10 \text{ V}$, unless otherwise specified – $T_j = 25^\circ\text{C}$ und $V_{IN} \leq 10 \text{ V}$, wenn nicht anders angegeben

2 Mounted on PCB with 100x100 mm² copper pad at terminal 4 – Montage auf Leiterplatte mit 100x100 mm² Löt-pad an Anschluss 4

Characteristics ¹⁾**Kennwerte ^{1, 2)}**

Type Code: A05U	LDI1117-05U	Min.	Typ.	Max.
Output voltage – Ausgangsspannung				
$I_{OUT} = 10 \text{ mA}, V_{IN} = 7.0 \text{ V}$ $10 \text{ mA} \leq I_{OUT} \leq 1 \text{ A}, 6.5 \text{ V} \leq V_{IN} \leq 12 \text{ V}$	V_{OUT}	4.950 V 4.900 V	5.0 V 5.0 V	5.050 V 5.100 V
Line Regulation – Betriebsspannungsdurchgriff				
$I_{OUT} = 10 \text{ mA}, 1.5 \text{ V} \leq V_{IN} - V_{OUT} \leq 10 \text{ V}$	ΔV_{OUT}	-	1 mV	10 mV
Load Regulation – Lastregelung				
$V_{IN} - V_{OUT} = 2 \text{ V}, 10 \text{ mA} \leq I_{OUT} \leq 1 \text{ A}$	ΔV_{OUT}	-	1 mV	15 mV
Dropout Voltage – Spannungsabfall				
$I_{OUT} = 0.1 \text{ A}$	V_D	-	1.00 V	1.1 V
$I_{OUT} = 0.5 \text{ A}$		-	1.08 V	1.18 V
$I_{OUT} = 1.0 \text{ A}$		-	1.15 V	1.25 V
Current Limit – Grenzstrom				
$V_{IN} - V_{OUT} = 2 \text{ V}$	I_{LIMIT}	1.25 A	1.35 A	-
Quiescent current – Ruhestrom				
$V_{IN} = V_{OUT} + 1.25 \text{ V}$	I_Q	-	5.0 mA	10 mA
Ripple Rejection – Störspannungsunterdrückung				
$I_{OUT} = 1 \text{ A}, f = 120 \text{ Hz}, T_j = 25^\circ\text{C}$ $V_{IN} - V_{OUT} = 3 \text{ V}, V_{ripple} = 1 \text{ V}_{pp}$	V_{RR}	50 dB	-	-
Temperature Stability – Temperaturstabilität				
		-	0.50%	-
RMS Output Noise (% of V_{OUT}) – Effektives Ausgangsrauschen				
$T_A = +25^\circ\text{C}, 10 \text{ Hz} \leq f \leq 10 \text{ kHz}$		-	0.003%	-
Typical thermal resistance junction to ambient Typischer Wärmewiderstand Sperrschicht – Umgebung		R_{thA}	250 K/W ²⁾	
Typical thermal resistance junction to case Typischer Wärmewiderstand Sperrschicht – Gehäuse		R_{thC}	20 K/W	

Disclaimer: See data book page 2 or [website](#)
Haftungsausschluss: Siehe Datenbuch Seite 2 oder [Internet](#)

1 $T_j = 25^\circ\text{C}$ and $V_{IN} \leq 10 \text{ V}$, unless otherwise specified – $T_j = 25^\circ\text{C}$ und $V_{IN} \leq 10 \text{ V}$, wenn nicht anders angegeben

2 Mounted on PCB with 100x100 mm² copper pad at terminal 4 – Montage auf Leiterplatte mit 100x100 mm² Löt-pad an Anschluss 4

All rights reserved

The information presented in our data sheets and other documents is to the best of our knowledge true and accurate. It describes the type of component or application and shall not be considered as assured characteristics. No warranty or guarantee, expressed or implied is made regarding the capacity, delivery, performance or suitability of any product or circuit etc, neither does it convey any license under the patent rights of others. Diotec reserves the right to make changes without further notice. However, regular updating of all product information is provided on our website ¹⁾. All Diotec products are sold and shipped subject to our "Standard Terms and Conditions of Business" ²⁾. The reproduction of all documents is prohibited without the expressed written permission of Diotec Semiconductor AG's Managing Board.

Disclaimer

1. All products described or contained are designed and intended for use in standard applications, so called commercial/industrial grade, requiring an ordinary level of reliability.
2. Some products are available with the special grades "AEC-Q101 compliant" respectively "AEC-Q101 qualified". These are intended for applications up to ASIL B, but not for ASIL C or D ³⁾.
3. Customers using these parts in applications requiring a special or specific grade of quality or reliability, such as (but not limited to) life supporting medical, military, aerospace, submarines, nuclear power etc, are obliged to validate whether the use in such cases is appropriate. Usage in such cases is on the own and sole risk of the customer.
4. If these products are to be used in applications requiring a special or specific grade of quality or reliability (refer to item 3.), in which failure or malfunction of the product may directly affect human life or health, user shall contact in advance Diotec Semiconductor AG's Managing Board (Heitersheim, Germany) to confirm that the intended use of the product is appropriate.
5. Although Diotec continuously enhances the quality and reliability of its products, customers must incorporate sufficient safety measures in their designs, such as redundancy, fire containment, and anti-failure, so that personal injury, fire or environmental damage can be prevented. Diotec excludes explicitly every implied warranty or liability regarding the fitness of the products to any other than standard applications.
6. All information described or contained herein are subject to change without notice. Please contact Diotec to obtain the latest information before incorporating Diotec products into any design.
7. All information described and contained herein are intended only to enable the buyer to order Diotec's products. The information must not be used for any other purpose.
8. In the event that any product described or contained herein falls under the category of strategic products controlled by the Bundesamt für Wirtschaft und Ausfuhrkontrolle, Germany, this product must not be exported without obtaining an export license from the Bundesministerium für Wirtschaft und Technologie, Germany in accordance with the valid laws.

Alle Rechte vorbehalten

Die Angaben in unseren Datenblättern und sonstigen Dokumenten sind nach bestem Wissen gemacht. Sie dienen jedoch allein der Beschreibung und sind nicht als zugesagte Eigenschaften im Rechts-Sinne zu verstehen. Es wird keine Gewähr bezüglich Liefermöglichkeit, Ausführung oder Einsatzmöglichkeit der Bauelemente übernommen, noch dass die angegebenen Bauelemente, Baugruppen, Schaltungen etc. frei von Schutzrechten sind. Wir behalten uns Änderungen der aufgeführten Daten ohne vorherige Ankündigung vor. Alle Änderungen werden jedoch regelmäßig auf unserer Internet-Seite veröffentlicht ¹⁾. Verkauf und Lieferung von Diotec-Produkten erfolgt gemäß unseren "Allgemeinen Geschäftsbedingungen" ²⁾. Die Vervielfältigung aller Dokumente ist nur mit schriftlicher Genehmigung des Vorstandes der Diotec Semiconductor AG gestattet.

Haftungsausschluss

1. Alle beschriebenen oder enthaltenen Produkte sind für den Gebrauch in Standardanwendungen mit einem gewöhnlichen Zuverlässigkeitsniveau entworfen und bestimmt, bekannt als kommerziell/industrielle Anwendungen.
2. Einige Produkte sind mit den speziellen Qualifikationen „AEC-Q101 konform“ oder „AEC-Q101 qualifiziert“ erhältlich. Diese sind für Anwendungen bis maximal ASIL B bestimmt, nicht aber für ASIL C oder D ³⁾.
3. Falls diese Produkte in Anwendungen verwendet werden sollen, die einen besonderen Grad der Qualität oder Zuverlässigkeit erfordern, z. B. (aber nicht begrenzt auf) lebenserhaltende Medizintechnik, Militärtechnik, Luft- und Raumfahrt, Unterwasserfahrzeuge, Nukleartechnik etc. ist der Anwender verpflichtet sicherzustellen, dass der beabsichtigte Gebrauch des vorgesehenen Produktes unbedenklich ist. Der Gebrauch für solche Anwendungen erfolgt auf eigenes und ausschließliches Risiko des Anwenders.
4. Falls diese Produkte in Anwendungen verwendet werden sollen, die einen besonderen Grad der Qualität oder Zuverlässigkeit erfordern (siehe Punkt 3.), insbesondere wenn durch Ausfall oder eine Störung des Produktes menschliches Leben oder Gesundheit direkt beeinflusst werden kann, muss im Voraus der Vorstand der Diotec Semiconductor AG (Heitersheim, Deutschland) bestätigen, dass der beabsichtigte Gebrauch des vorgesehenen Produktes unbedenklich ist.
5. Obwohl Diotec die Qualität und die Zuverlässigkeit seiner Produkte beständig erhöht, müssen Kunden ausreichende Sicherheitsvorkehrungen in ihren Designs vornehmen – wie Redundanz, Feuereindämmung und Ausfallschutz – damit Personenschäden, Feuer oder Umweltschädigung verhindert werden können. Diotec schließt ausdrücklich jede implizierte Garantie oder Verbindlichkeit aus, welche die Eignung der Produkte zu irgendwelchen anderen als Standardanwendungen betrifft.
6. Alle Informationen, die hier beschrieben oder enthalten sind, können jederzeit ohne jede Benachrichtigung geändert werden. Vor Einsatz eines Diotec Produktes in irgendeiner Anwendung sind bei Diotec die neuesten Informationen einzuholen.
7. Alle Informationen, die hier beschrieben oder enthalten sind, sollen dem Kunden nur ermöglichen, Diotec Produkte zu bestellen. Die Informationen dürfen zu keinem anderen Zweck verwendet werden.
8. Sollte ein hier beschriebenes oder enthaltenes Produkt unter Beschränkungen fallen, die durch das deutsche Bundesamt für Wirtschaft und Ausfuhrkontrolle geregelt werden, darf dieses Produkt in Übereinstimmung mit den gültigen Gesetzen nicht ohne Exportgenehmigung vom deutschen Bundesministerium für Wirtschaft und Technologie exportiert werden.

1 Refer to <http://diotec.com/> "Products/Product Changes" respectively "What's new/Datasheets"
Siehe <http://diotec.com/> „Produkte/Produktänderungen“ bzw. „News/Datenblätter“

2 Refer data book or <http://diotec.com/> "Company" – Siehe Datenbuch oder <http://diotec.com/> „Unternehmen“

3 Refer to <http://diotec.com/> "Products/Important Information/Commercial grade ..."
Siehe <http://diotec.com/> „Produkte/Wichtige Informationen/Standardausführung ...“