

RAYSGEM

# SMART MIRROR

USER MANUAL **M2G**



**M2G**

**SMART MIRROR**

The picture is for reference only, the actual product may differ. No further notice for the appearance modification.

**RC101M2G**  
**10.1" SMART MIRROR**

◇ **M2G** SMART MIRROR ◇





Thank you for purchasing this Smart mirror. Before installation, please read this user manual first and keep it with you for later reference.

**Warning**


**Do not try to open Smart mirror in case of electric shock**

Note: In case of electric shock, please do not try to open Smart mirror. When malfunction happens, please consult a profession before you open Smart mirror .

 This is a sign of high voltage danger. Any contact with the internal parts can be extremely dangerous.

 This is for important notes of how to maintain Smart mirror .

- Please keep Smart mirror away from any heat or under direct sun light.
- Please keep Smart mirror away from anything that can generate heat, such as candles, ashtrays, incensation, combustible gas or explosive substance.
- Please do not overload your wall sockets, extension power cables.
- Please place the power cable properly without anything pressing again the power cable.
- For safety reasons, please unplug Smart mirror power in storm weather or when you won't be using Smart mirror for a long time.
- Please use proper direct current supply for Smart mirror. Make sure your local DC power is within safety range.
- In case of any electric shock, please do not insert any metal object into Smart mirror sockets.
- Please make sure power jack is plugged in tightly into your power socket. Unplug power jack when you disconnect Smart mirror.
- Please do not touch Smart mirror's power cable with wet hands.
- In case of any malfunction, especially when there's unusual sound or smell coming out of Smart mirror, please unplug the power and contact your supplier immediately.
- If you'll be leaving Smart mirror unused for a very long time or traveling with our senior family members, children and people with disabilities at home, please make sure to unplug Smart mirror.
- Too much dirt on the power socket or cable might generate heat and cause insulation aging, please keep it clean in case of electric shock and fire.
- Please make sure your power socket is well grounded in case of electric shock or damage to Smart mirror.
- To unplug Smart mirror is to unplug from your power socket, for convenience, we recommend you to use power socket with its own ON/OFF switch.
- Please do not allow children to play with Smart mirror.
- Please install Smart mirror in a safe place, any wobble or tilt installation puts Smart mirror in a vulnerable position.
- In case of fall and damage to Smart mirror, please unplug the power and contact your local supplier immediately.
- Unplug Smart mirror before you clean it. Use soft and dry cloth to wipe it clean. Do not use any chemical solution on Smart mirror surface for it might erode Smart mirror.

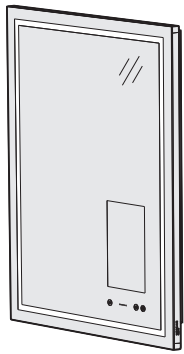
 Warning- In case of fire, please keep Smart mirror away from candles or any other fire or heat.

Index	01
<b>1</b> Quick Guide	02~07
<b>2</b> Connection	09
<b>3</b> Installation	10-11
<b>4</b> Dimension	12
<b>5</b> Specifications	13
<b>6</b> Others	14

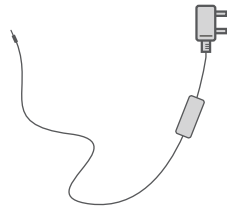
# 1 Quick Guide

## Package

Standard Smart Mirror package contains the following items as below. Please contact your local retailer if anything is missing. Some of the items in this manual may differ because of customization or model.



Mirror\*1



Power adapter\*1



User Manual\*1



Installation Instruction\*1

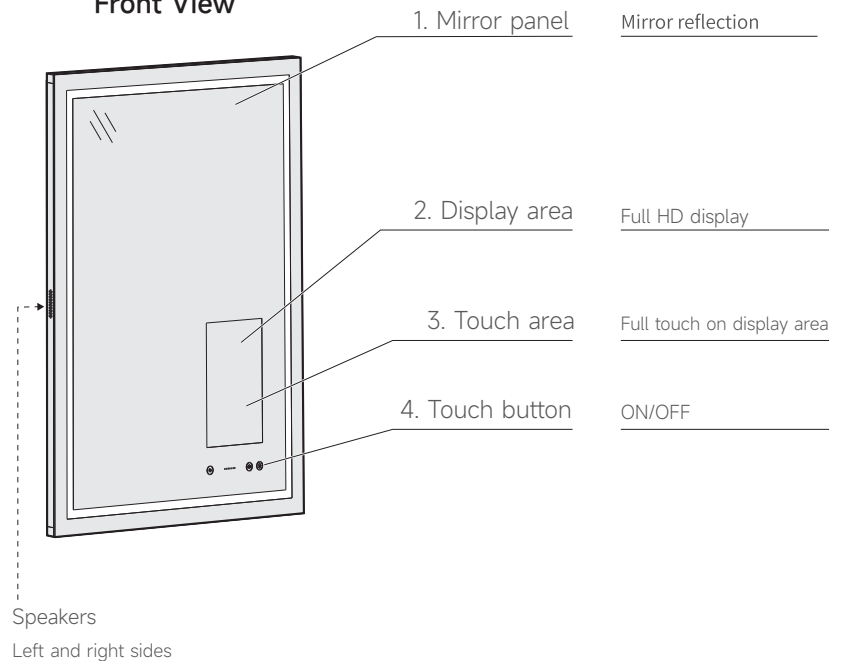


Screwhead \*3  
Dilating screw \*3

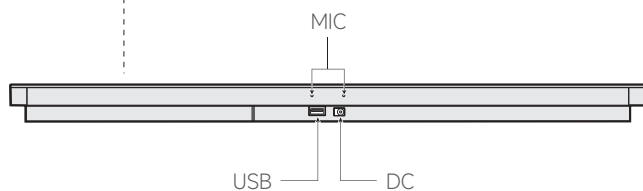
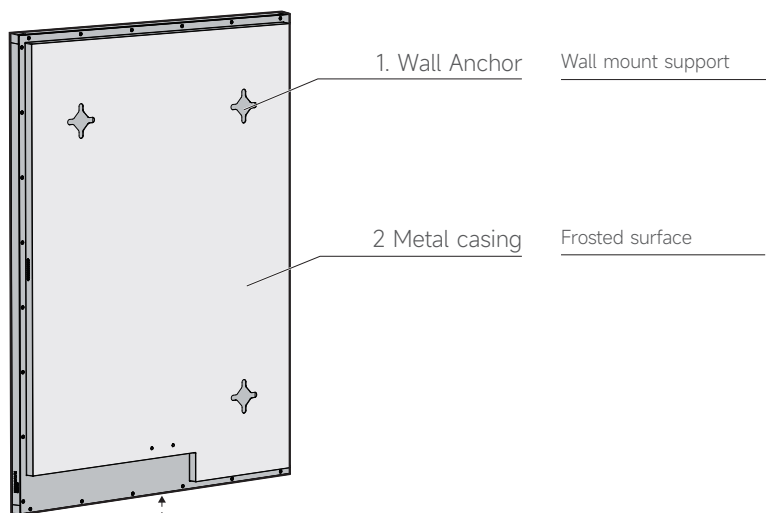
## Introduction

Smart Mirror is a mirror that can serve you as a dressing mirror, but also comes with touch screen, display and voice control. Mirror is an interactive terminal of master control, and a comprehensive hub for all smart devices. Smart Mirror helps to establish a smart home system for kitchen and bathroom. For more information, please visit our website <https://raysgem.com>

### Front View



## Back View



①

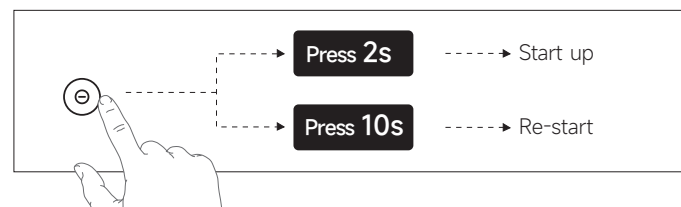
②

No.	Port	Description
①	USB	USB type A
②	DC	DC 12V 4A

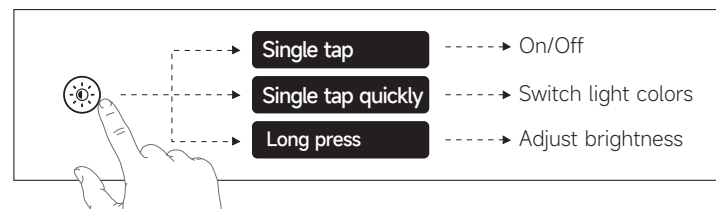
## Quick Guide

### 1. Start up & Shut down

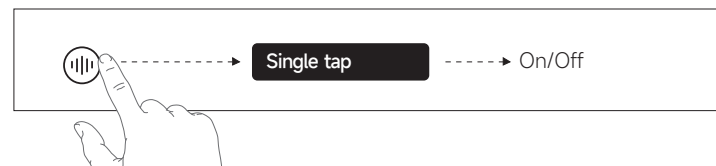
- ① Start up: Press the power button for 2 seconds, Smart Mirror will boot up till the home page appears.
- ② Re-start: Long press the power button for 10 seconds, Smart Mirror will Re-start



- ③ Turn ON/OFF the display: Single tap the power button to Turn ON/OFF the display. Single tap on screen also can turn on The display.
- ④ Turn ON/OFF the LED light: Single tap the LED light button to turn ON/OFF the LED light, single tap the LED light button quickly to switch Between the light colors, Long press the LED light button to adjust the Light brightness. The LED light button is in blue when the LED light is off, and it is in white when the LED light is on.



- ⑤ Turn ON/OFF the Anti-fog function: Single tap the anti-fog button to turn on the anti-fog function, and single tap again to turn it off. The button is in blue when the anti-fog is off, and it is in white when the anti-fog is on. The anti-fog will be turned off automatically when it has been working for more than one hour.



## 2. Voice Control

The smart mirror supports Google assistant voice control. Please sign in Google assistant with your Google account. When the first time the smart mirror is powered on. Set your own language and match your voice in Google assistant. Say "Hey Google" to active Google assistant within 5 meters from the smart mirror.



## 3. WLAN network setting

Enter Android system setting after the smart mirror is powered on, enter WLAN and turn it on, Enter your WiFi password to connect with internet.

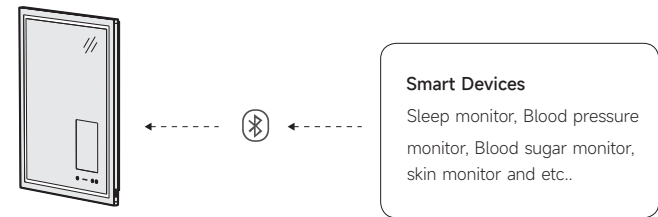


## 4. App Installation

Enter Google Play Store after the smart mirror is powered on, log in Google Play Store with your Google account at the first time, then search, download and install your favorite apps.

## 5. Blue tooth

Enter Android system setting after the smart mirror is powered on, enter connected devices and enter Connection preferences, Enter Bluetooth and turn it on to search and pair with your Bluetooth devices.

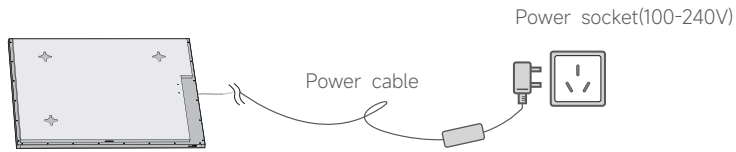


## 6. Connect to your Smart Home

Install and Enter Google Home, enter Add and manage, create new home or set up device in an existing home, Enter Work with Google to search and authorize with your Smart Home brands. Use Google Home or Google assistant to control the smart home devices after the authorization with your Google account.

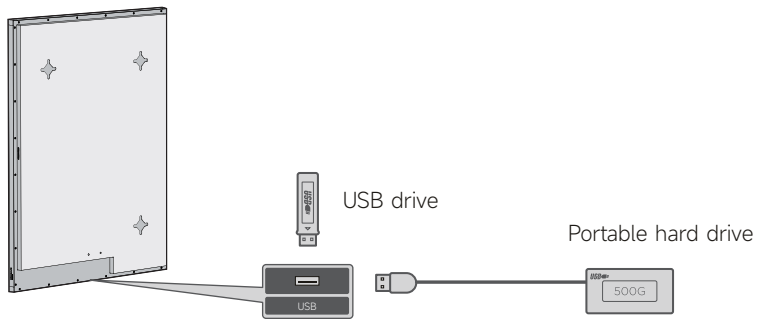
## 2 Connection

### Connect to power



1. Connect Mirror to power as shown above.
2. Long press the power button to start up the smart mirror after the power is successfully connected.

### Connect to USB device



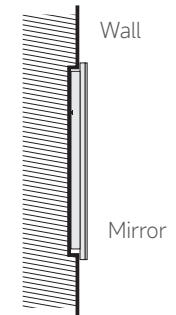
Insert USB drive or portable hard drive to Mirror through USB port.

## 3 Installation

### Installation

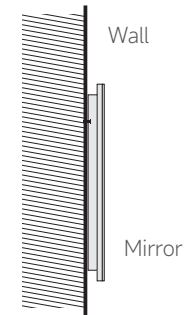
#### Flush Mount

Open a recess as shown in the wall where you want to install the Mirror, fix Mirror to the wall.



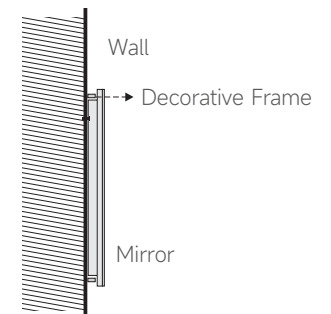
#### Wall Mount

Hang Mirror directly to the wall.



#### Customized Installation

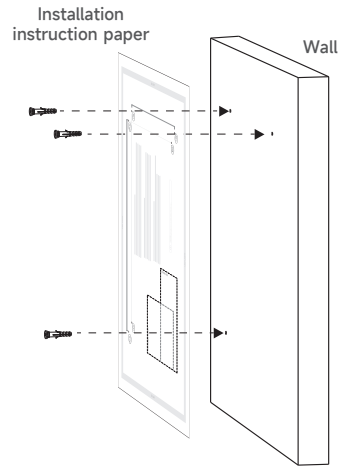
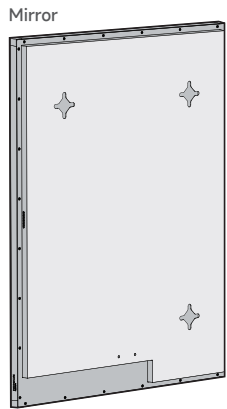
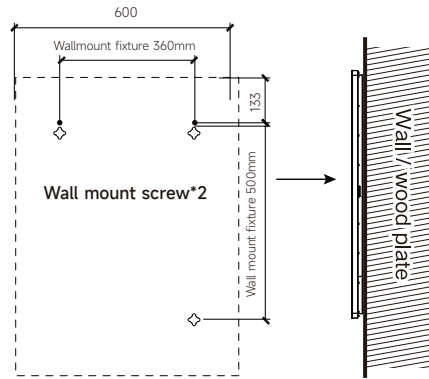
Install the Mirror same as wall mount, add customized frame around the mirror.



## Installation Demonstration

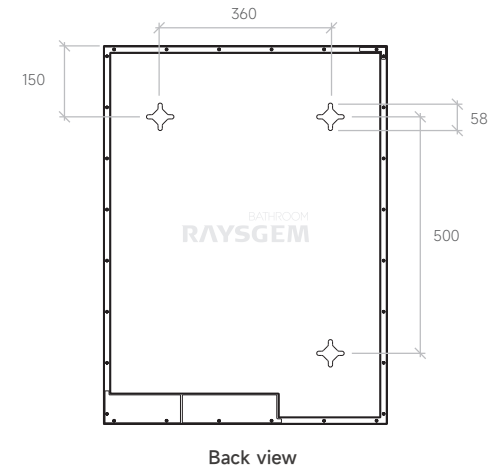
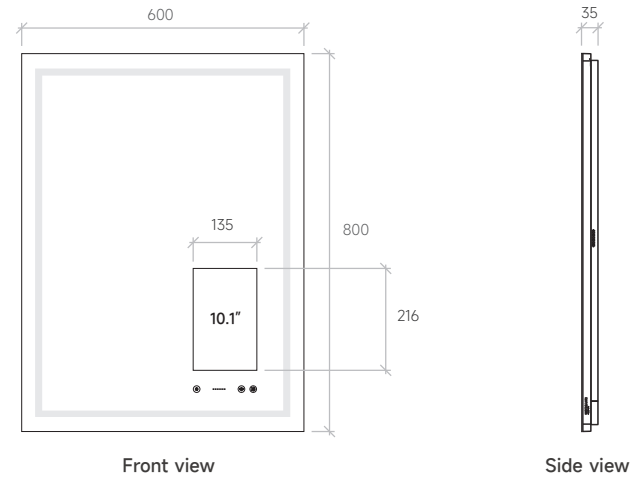
### Wall Mount

Fix the screws into the wall and hang the Smart Mirror.



**i** Notes: Be careful during installation to avoid scratching the mirror surface.

## Size/mm



**i** No further notice on small changes on the same model.



## Specifications

### Display

Display size	10.1 inch
Display type	IPS
Resolution	1920*1200
Contrast ratio	1000:1
Brightness	650cd/m <sup>2</sup> (Original LCD screen)
Viewing angle	178°(H) * 178°(V)
Response time	25ms

### Configuration

CPU	2.0GHz A75*2 + 1.8GHz A55*6
GPU	Mali-G52
RAM	4GB
ROM	32G
Camera	No
WiFi	Double frequency 2.4/5GHz IEEE 802.11a/b/g/n/ac
Bluetooth	Bluetooth 5, Bluetooth Smart
LED lighting	Yes
Anti-fog film	Yes
Speaker	2*3W
Touch screen	Yes(5 points)
Voice Assistant	Yes
OS	Android 11

### Consumption

Power input	DC 12V 4A
Consumption	≤48W
Standby	≤1W

### Interfaces

Power input	DC 12V
USB	Type A x 1

### Dimension/Material/Process

General size	800mm(H)x600mm(W)
Thickness	35mm
Mirror panel	Coated silver mirror
Material/Process	Metal housing and Aluminum frame
Gross weight	13.7 kg
Net weight	9.6 kg
Package dimension	930*740*170mm

\* This is a general comprehensive specification sheet, details may vary on different models.

Radiodienst	Betriebsfrequenz (MHz)	Maximale Ausgangsleistung(dBm)	Maximaler Antennengewinn (dBi)
Bluetooth LE	2402-2480	8.33,EIRP	5.87
Bluetooth BR+EDR	2402-2480	6.75, EIRP	5.87
WLAN 2.4 GHz IEEE 802.11 b/g/n (20/40 MHz)	2412-2472	17.52, EIRP	5.87
RLAN 5 GHz IEEE 802.11 a/n/ac(20/40/80 MHz)	5180-5240	16.84,EIRP	6.36
	5260-5320	16.51,EIRP	7.54
	5500-5700	16.95,EIRP	9.30 Uhr
SRD 58 GHz IEEE 802.11 a/n/ac(20/40/80 MHz)	5745-5825	13.03,EIRP	8.61

## Notes

1. Use only original power cable that comes with the Smart Mirror.
2. Keep power cable in good shape and condition.
3. In any case of malfunction, unplug Smart Mirror immediately.
4. Unplug the Smart Mirror if you won't be using it for a long time.

In any case of malfunction, before sending Smart Mirror for maintenance, please read the following instructions and solution.

## Troubleshooting

Troubleshooting is only for users who are facing major operating issues on Smart mirror. If users should have problems with specific functional page, please go to your retailer to get user manuals on specific functions.

## Couldn't start up Smart Mirror

1. Check if power jack is loose.

## No image/sound or bad display

1. Make sure settings are properly adjusted.
2. Contact with your product and service provider for support.

# NOTE

-----

-----

-----

-----

-----

-----

-----

-----

-----

-----

-----

-----

-----

-----

-----

-----

-----

-----

-----

-----

**i Declaration of Conformity (DOC)**

RAYSGEM ELECTRONICS & TECHNOLOGY CO., LTD, hereby declares that this product conforms to Directive 2014/53/EU.

**i Disposal**

This symbol must appear on any electrical and electronic equipment placed on the EU market. This symbol indicates that this device should not be disposed of as unsorted municipal waste at the end of its service life.

Owners of WEEE (Waste from Electrical and Electronic Equipment) shall dispose of it separately from unsorted municipal waste. Spent batteries and accumulators, which are not enclosed by the WEEE, as well as lamps that can be removed from the WEEE in a non-destructive manner, must be removed by end users from the WEEE in a non-destructive manner before it is handed over to a collection point.

