

LED LIGHT

LED LIGHT

LED LIGHT

LED LIGHT

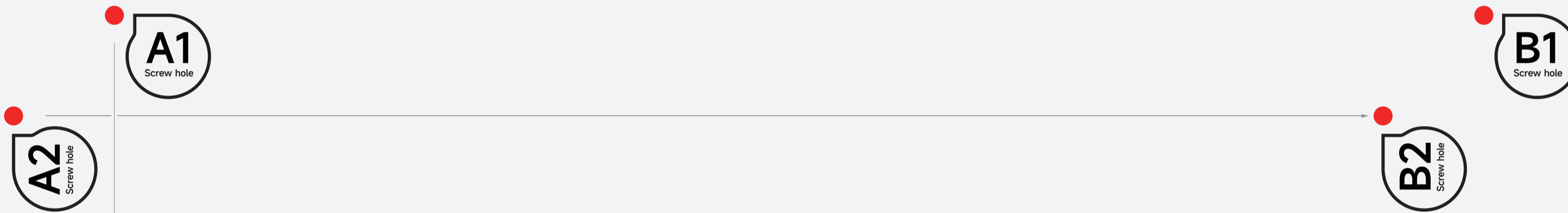
LED LIGHT

Mounting distance 500mm (Horizontal installation)

Mounting distance 360mm (Vertical installation)

Recommend the drill size with 8mm diameter and 37mm depth. During installation, the screws must not come into contact with the metal partor materials in the wall.

Recommend the drill size with 8mm diameter and 37mm depth. During installation, the screws must not come into contact with the metal partor materials in the wall.

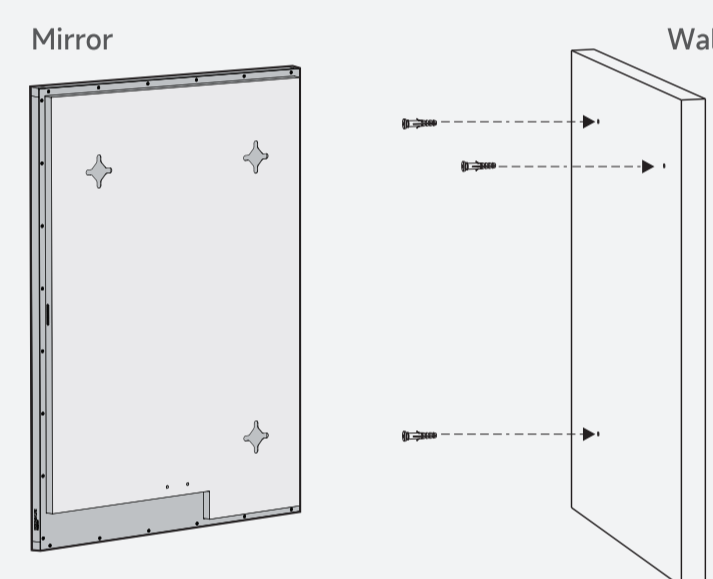


Before installation:

1. Check the installation instruction to confirm the installation position and ensure there is sufficient space for the smart mirror.
2. The wall must be a solid wall, not a hollow wall, otherwise it will reduce the mounting strength.
3. There should be socket-outlet near the smart mirror and should be easily accessible.
4. During installation, the screws must not come into contact with the metal partor materials in the wall to avoid short circuit and electric shock.

Installation steps (Vertical installation):

1. Please locate the installation position on the wall.
2. Paste the installation instruction on the installation position.
3. Mark the position of A1, B1, C1, D, E on the wall with a pencil or other tools.
4. Drill a hole at A1, B1, C1, tap the plastic anchors into the wall, and tighten the screws.
5. The upper left corner of the smart mirror is consistent with D, and the upper right corners consistent with E. Move the smart mirror slightly so that the slot is fastened to the screws.

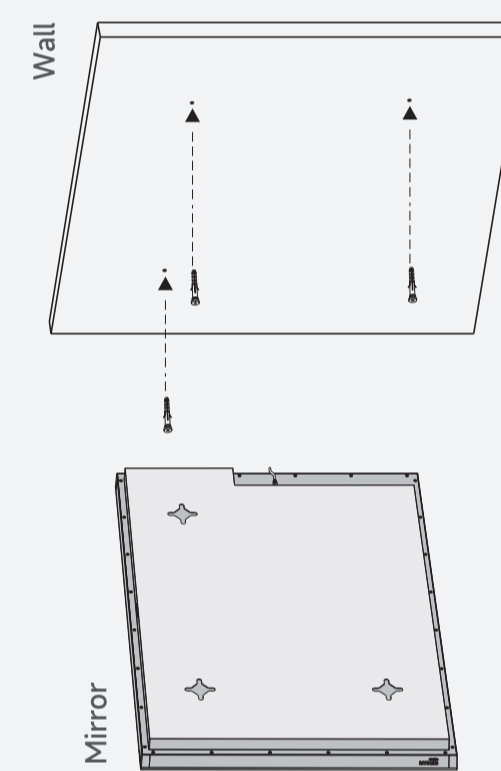


Remarks:

1. During installing, please be careful to protect the mirror from scratches or damage.
2. After the smart mirror is installed, please do not pull it down, lift it up, or shake it left and right.

Installation steps (Horizontal installation):

1. Please locate the installation position on the wall, and tighten the screws.
2. The upper left corner of the smart mirror is consistent with G, and the upper right corners consistent with F. Move the smart mirror slightly so that the slot is fastened to the screws.
3. Mark the position of A2, B2, C2, F, G on the wall with a pencil or other tools.



Remarks:

1. During installing, please be careful to protect the mirror from scratches or damage.
2. After the smart mirror is installed, please do not pull it down, lift it up, or shake it left and right.

