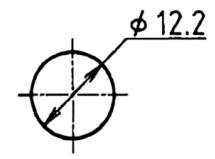
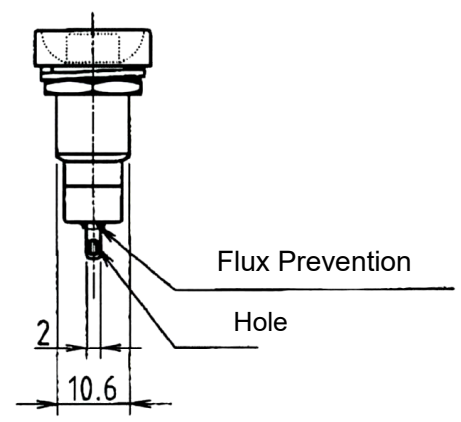


Unit : mm



Mounting Hole
Panel Thickness: 1~7mm



Model No.
DS-263 Push Button Switch
(Momentary ON)
Button: Red, Black, White

Specifications :

Rating : 3A, 25V DC
Circuit : OFF-(ON) 2P SPST
Contact Resistance : 20m Ω or less
Insulation Resistance : DC500V Megger
100M Ω or more
Voltage Breakdown : AC1000V (1 minute)

Construction :

	Materials	Finish
① Button	ABS	R, K or W
② Body	POM	Black
③ Washer	Copper	Chromate
④ Nut	Copper	Ep-Fe/Ni
⑤ Base	Melamine	Blue
⑥ Terminals	Copper	Ep-Cu/Ag