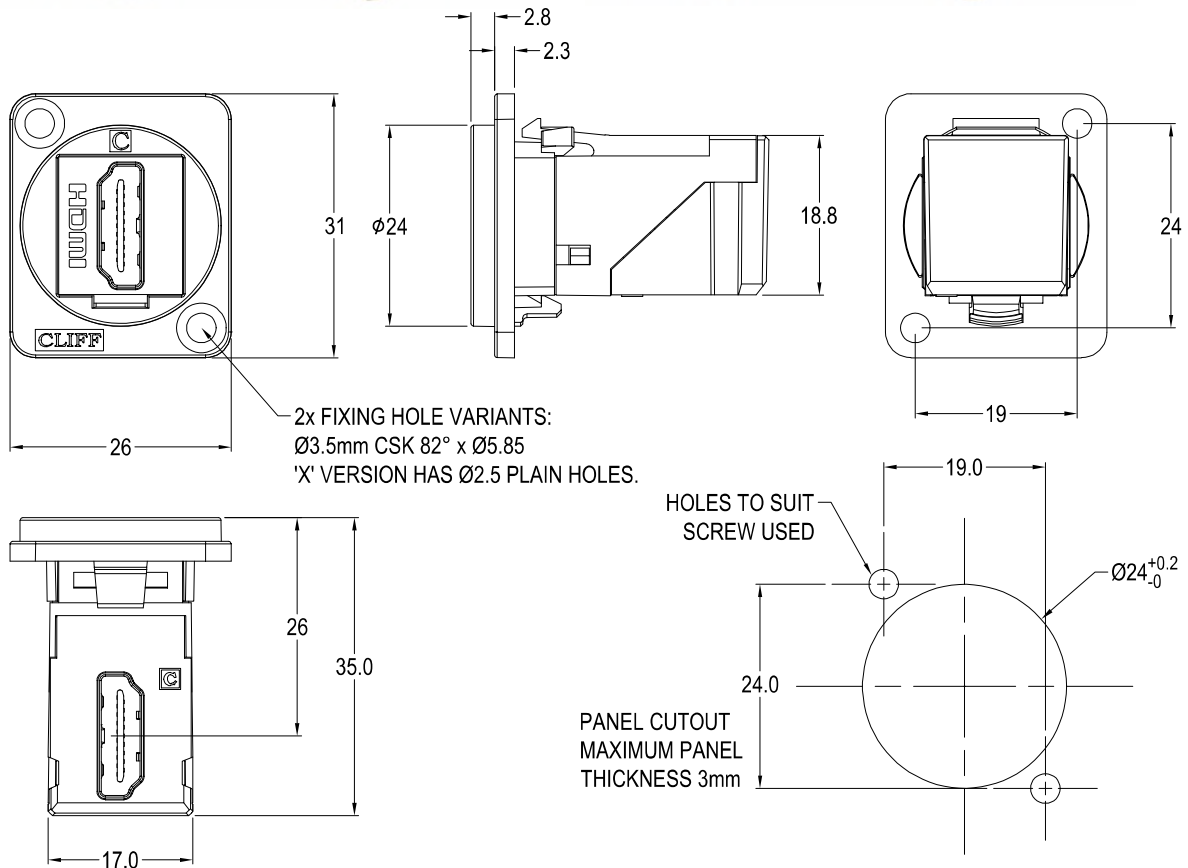


CLIFF

HDMI RIGHT ANGLE FEEDTHROUGH CONNECTOR (RAFT)



VARIANTS

Part No.

CP30253 RAFT HDMI Black plastic frame, CSK holes

CP30253X RAFT HDMI Black plastic frame, 2.5mm PLAIN holes

Feedthrough Features

- Fits standard XLR Ø24mm cutout.
- No soldering or punch termination. Use standard cable for each connector style.
- Front or rear mounted.
- Low rear profile
- 90° or right angle rear cable entry.

Material:

1. Insert: ABS UL94-V2
2. Frame: Polyamide UL94-V2
3. Shell: Gold plated
4. Contacts: Gold Plated

General:

Please note: Functionality is affected by cable quality, length and cable wiring configuration.

For further information, contact sales@cliffuk.co.uk