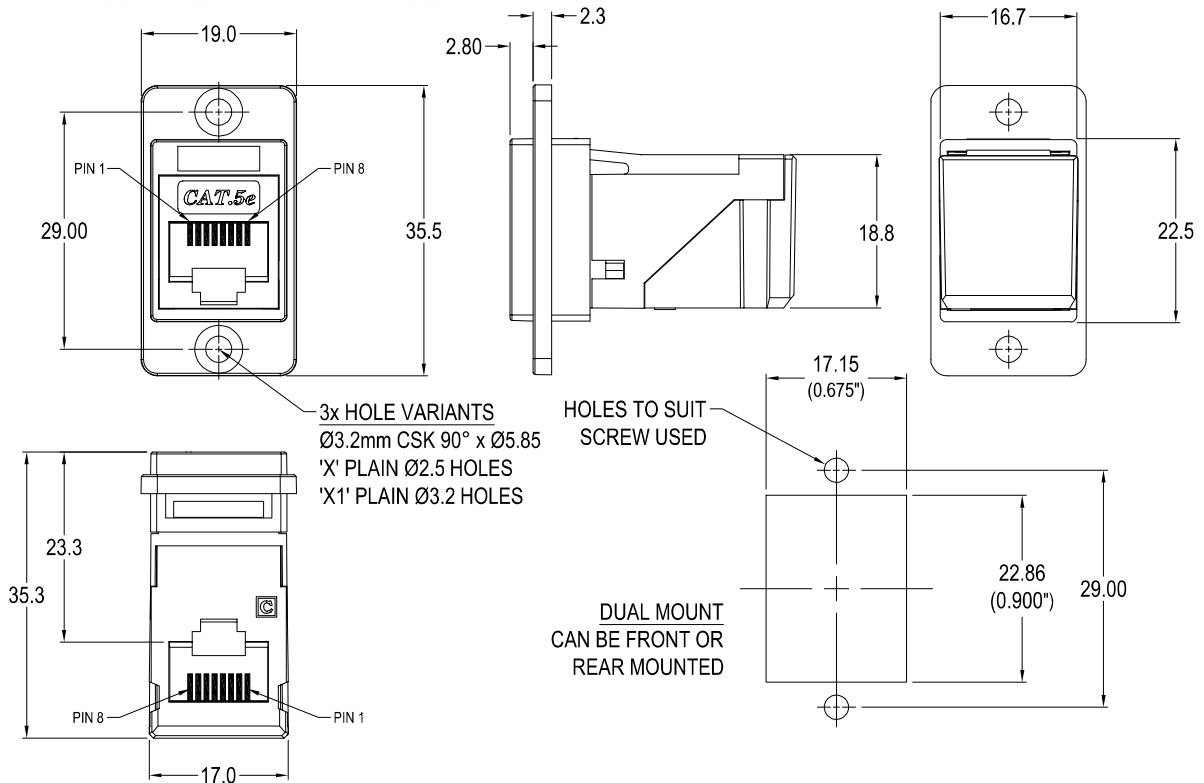


# CLIFF

## DUALSLIM CAT5e RJ45 RIGHT ANGLE FEEDTHROUGH CONNECTOR

Can be front or rear mounted in the panel



### VARIANTS

#### Part No.

- CP30751** RAFT DUALSLIM Cat5e RJ45 Black plastic frame, CSK holes
- CP30751X** RAFT DUALSLIM Cat5e RJ45 Black plastic frame, Ø2.5 PLAIN holes
- CP30751X1** RAFT DUALSLIM Cat5e RJ45 Black plastic frame, Ø3.2 PLAIN holes

#### Feedthrough Features

- Fits standard rectangular cutout.
- Front or rear mounting through the panel.
- Various hole mounting options.
- No soldering or punch termination. Use standard cable for each connector style.
- Low rear profile.
- 90° or right angle rear cable entry.

#### General:

Please note: Functionality is affected by cable quality, length and cable wiring configuration.

#### Material:

1. RJ45 In-Line Coupler: ABS UL94-V2
2. RJ45 In-Line Coupler Contact:  
Phosphor Bronze, gold plating

3. PCB: FR4

4. Frame: Polyamide UL94-V2

#### Performance:

1. T568A & T568B wiring.
2. Meet ISO/IEC 11801 and EN50173
3. Meet ANSI/TIA/EIA 568B.2
4. Rating 125VAC RMS 1.5A
5. Operating Temperatures: Min -10°C Max +60°C