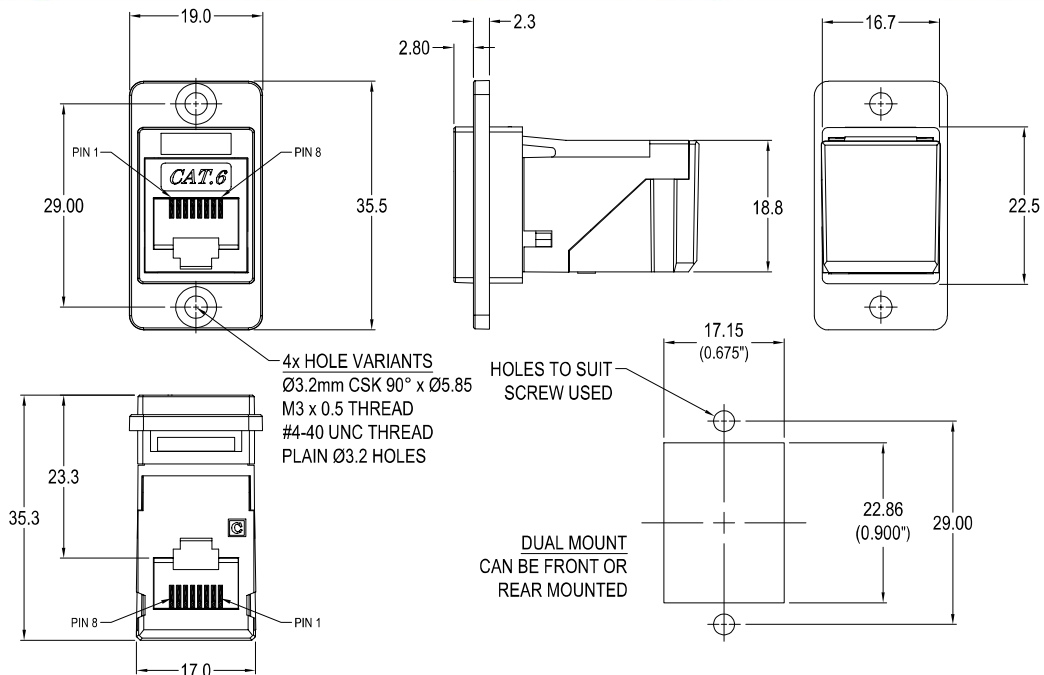


CLIFF

DUALSLIM CAT.6 RJ45 RIGHT ANGLE METAL FEEDTHROUGH CONNECTOR

Can be front or rear mounted in the panel



VARIANTS

Part No.

| | |
|---------------------|--|
| CP30752M | RAFT DUALSLIM Cat.6 RJ45 Nickel frame, CSK holes |
| CP30752MB | RAFT DUALSLIM Cat.6 RJ45 Black metal frame, CSK holes |
| CP30752M3 | RAFT DUALSLIM Cat.6 RJ45 Nickel frame, M3 holes |
| CP30752MB3 | RAFT DUALSLIM Cat.6 RJ45 Black metal frame, M3 holes |
| CP30752M440 | RAFT DUALSLIM Cat.6 RJ45 Nickel frame, #4-40 holes |
| CP30752MB440 | RAFT DUALSLIM Cat.6 RJ45 Black metal frame, #4-40 holes |
| CP30752MX1 | RAFT DUALSLIM Cat.6 RJ45 Nickel frame, Ø3.2 PLAIN holes |
| CP30752MBX1 | RAFT DUALSLIM Cat.6 RJ45 Black metal frame, Ø3.2 PLAIN holes |

Feedthrough Features

- Fits standard rectangular cutout.
- Front or rear mounting through the panel.
- Various hole mounting options.
- No soldering or punch termination. Use standard cable for each connector style.
- Low rear profile.
- 90° or right angle rear cable entry.

General:

Please note: Functionality is affected by cable quality, length and cable wiring configuration.

Material:

1. RJ45 In-Line Coupler: ABS UL94-V2
2. RJ45 In-Line Coupler Contact: Phosphor Bronze, gold plating
3. PCB: FR4
4. Frame: Diecast, Nickel or Black plated

Performance:

1. T568A & T568B wiring.
2. Meet ISO/IEC 11801 and EN50173
3. Meet ANSI/TIA/EIA 568B.2
4. Rating: 125VAC RMS 1.5A
5. Operating Temperatures: Min -10°C Max +60°C