

Type 2 surge arrester - CHARX-PROTECT-11-22KW



1380466

<https://www.phoenixcontact.com/de/produkte/1380466>

Please be informed that the data shown in this PDF document is generated from our Online Catalog. Please find the complete data in the user documentation. Our General Terms of Use for Downloads are valid.



Surge protection set for protecting charging stations with an output of 11 kW to 22 kW, such as home chargers. Surge protective device consisting of a base element with Push-in connection technology, remote indication contact, and protective plugs. Nominal voltage: 230 V AC, 3+1 wiring

Product Description

CHARX-PROTECT-11-22KW is a surge protection set optimized for use with charging stations. The cable gland specifically selected for this purpose enables the insertion of commercially available H07RN-F cables of 2.5 mm² to 6 mm², without restricting the IP protection class.

Your advantages

- Fast installation and startup
- Flexible use with charging stations of 1 kW ... 22 kW
- Flexible selection of cable cross-sections thanks to the variable sealing area
- Time savings during wiring thanks to push-in connection technology
- No additional installation material required thanks to the through-wiring

Commercial Data

Item number	1380466
Packing unit	1 pc
Minimum order quantity	1 pc
Sales Key	R1 - Gehäuse+Schaltkästen
Product Key	DTHTMA
GTIN	4063151751746
Weight per Piece (including packing)	2 kg
Weight per Piece (excluding packing)	2 kg
Customs tariff number	85371098
Country of origin	DE

Type 2 surge arrester - CHARX-PROTECT-11-22KW



1380466

<https://www.phoenixcontact.com/de/produkte/1380466>

Technical Data

Product properties

IEC test classification	II
EN type	T2
Product type	Surge arrester
Surge protection fault message	Optical, remote indicator contact

Electrical properties

Nominal frequency f_N	50 Hz (60 Hz)
-------------------------	---------------

Indicator/remote signaling

Connection name	Remote fault indicator contact
Switching function	Changeover contact

Connection data

Connection method	Push-in connection
Conductor cross section solid	0.5 mm ² ... 10 mm ²
Conductor cross section AWG	20 ... 8
Conductor cross section, flexible, with ferrule, with plastic sleeve	0.5 mm ² ... 6 mm ²
Conductor cross section flexible, with ferrule without plastic sleeve	0.5 mm ² ... 10 mm ²

Remote fault indicator contact

Connection method	Push-in connection
Conductor cross section flexible	0.2 mm ² ... 2.5 mm ²
Conductor cross section solid	0.2 mm ² ... 2.5 mm ²
Conductor cross section AWG	30 ... 12

Dimensions

Width	130 mm
Height	180 mm
Depth	111 mm

Material specifications

Color	transparent
	light grey RAL 7035
Housing material	Polycarbonate

Protective circuit

Nominal voltage U_N	240/415 V AC (TN-S)
	240/415 V AC (TT)
Nominal frequency f_N	50 Hz (60 Hz)
Maximum continuous operating voltage U_C (L-N)	275 V AC
Maximum continuous operating voltage U_C (N-PE)	260 V AC

Type 2 surge arrester - CHARX-PROTECT-11-22KW



1380466

<https://www.phoenixcontact.com/de/produkte/1380466>

Residual current I_{PE}	$\leq 5 \mu A$
Nominal discharge current I_n (8/20) μs	20 kA
Maximum discharge current I_{max} (8/20) μs	40 kA
Follow current interrupt rating I_{fi} (N-PE)	100 A
Short-circuit current rating I_{SCCR}	25 kA
Voltage protection level U_p (L-N)	≤ 1.35 kV
Voltage protection level U_p (N-PE)	≤ 1.5 kV
Max. backup fuse with V-type through wiring	32 A (gG - 6 mm ²)
	35 A (gG - 10 mm ²)
	40 A (MCB C - 10 mm ²)

Environmental and real-life conditions

Ambient conditions

Degree of protection	IP65
Ambient temperature (operation)	-20 °C ... 40 °C
Ambient temperature (storage/transport)	-20 °C ... 40 °C
Permissible humidity (operation)	≤ 95 % (at 25 °C, non-condensing)

Standards and regulations

Standards/specifications	IEC 61643-11
Standards/specifications	EN 61643-11

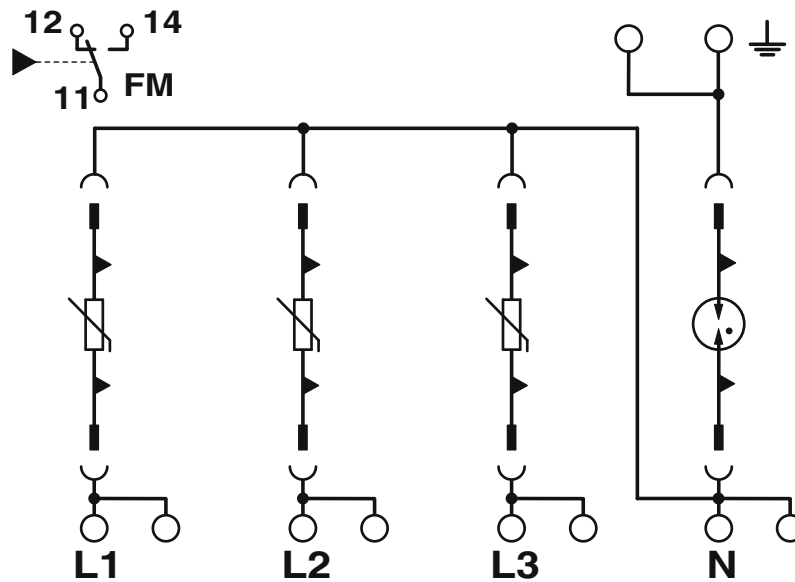
Type 2 surge arrester - CHARX-PROTECT-11-22KW

1380466

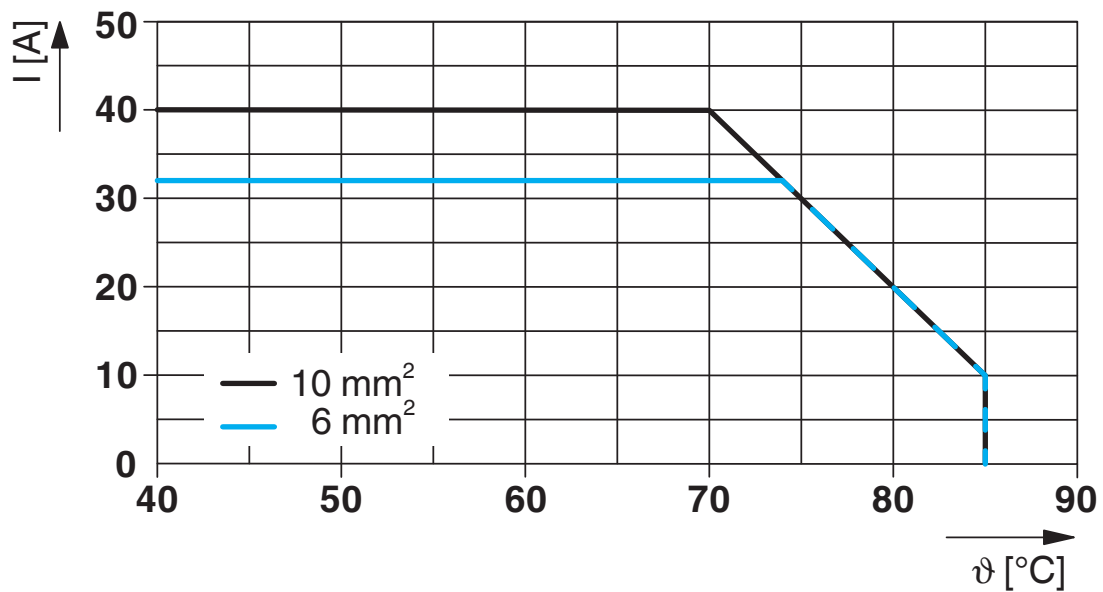
<https://www.phoenixcontact.com/de/produkte/1380466>

Drawings

Circuit diagram



Diagram



Type 2 surge arrester - CHARX-PROTECT-11-22KW



1380466

<https://www.phoenixcontact.com/de/produkte/1380466>

Classifications

ECLASS

ECLASS-9.0	27130805
ECLASS-10.0.1	27130805
ECLASS-11.0	27130805
ECLASS-12.0	27171202

ETIM

ETIM 8.0	EC000941
----------	----------

UNSPSC

UNSPSC 21.0	39121600
-------------	----------

Type 2 surge arrester - CHARX-PROTECT-11-22KW



1380466

<https://www.phoenixcontact.com/de/produkte/1380466>

Environmental Product Compliance

China RoHS	Environmentally friendly use period: unlimited = EFUP-e
	No hazardous substances above threshold values

Type 2 surge arrester - CHARX-PROTECT-11-22KW



1380466

<https://www.phoenixcontact.com/de/produkte/1380466>

Accessories

Type 2 surge protection plug

Type 2 surge protection plug - VAL-MS 230 P - 1256118

<https://www.phoenixcontact.com/de/produkte/1256118>



Type 2 surge protection plug with high-capacity varistor for VAL-MS-PS base element, thermal monitoring, visual fault indication. Version: 230 V AC

Type 2 surge protection plug

Type 2 surge protection plug - F-MS 12 P - 1256115

<https://www.phoenixcontact.com/de/produkte/1256115>



Type 2 surge protection plug with N-PE total current spark gaps for VAL-MS-PT base element.

Phoenix Contact 2023 © - all rights reserved

<https://www.phoenixcontact.com>

PHOENIX CONTACT Deutschland GmbH

Flachsmarktstraße 8

D-32825 Blomberg

+49 52 35/3-1 20 00

info@phoenixcontact.de