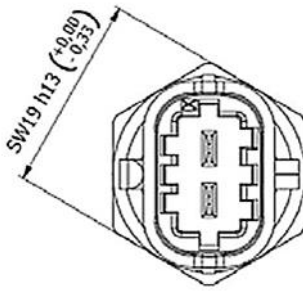
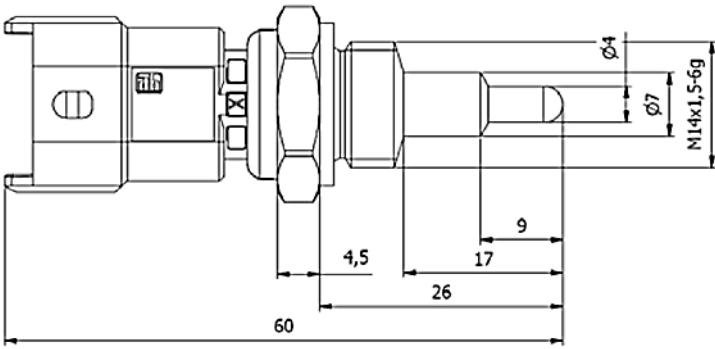


Temperature sensor

94085

NTC Sensor, thermally decoupled



Connector		Dimensions	
			
Media	Liquid media e.g. water, oil	Connector	Bosch Compact (D 928 002 69A), Female connector on request
Nominal resistance	2,055 Ω (25 °C), 186,5 Ω (100 °C) *	Sealing ring	Al-Dichtring unverlierbar Al-seal, captive
Temperature range	- 40 °C to + 150 °C	Protection range	IP 6K9K
Time of response	T63 ≤ 3s (water)	Order number	9408500900
Thread	M14 x 1.5		