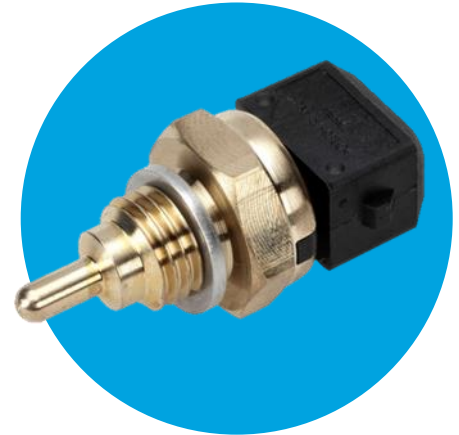
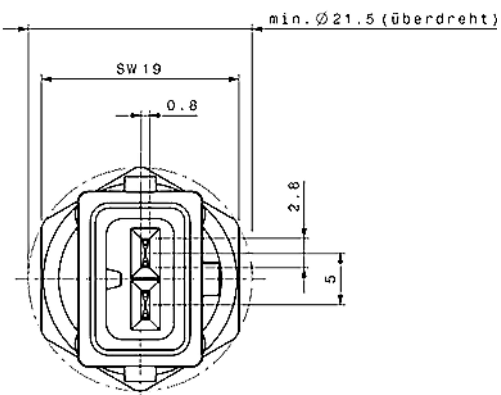
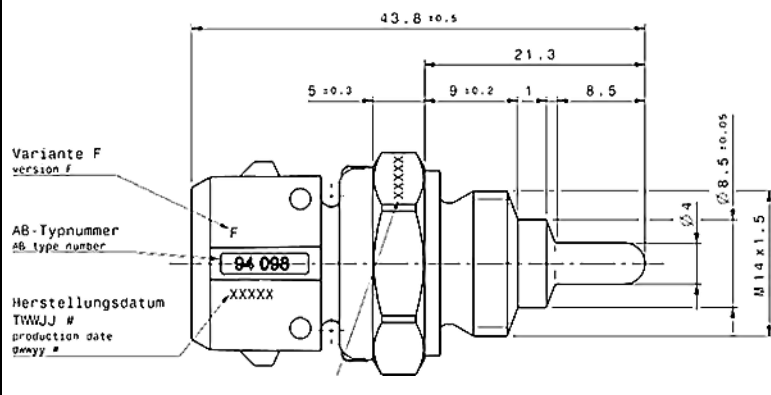


Temperature sensor

94098

NTC sensor



Connector		Dimensions	
			
Media	Liquid media e.g. water, oil	Thread	M12 x 1.5 or M14 x 1.5 (material: stainless steel, brass or Ecobronze)
Nominal resistance	2,251 Ω (25 °C) 153 Ω (100 °C) *	Connector	AMP Junior Power Timer, 2-pole, Female connector on request
Temperature range	- 40 °C to + 150 °C	Sealing ring	Al 99 %, alternative Cu
Time of response	T63 ≤ 5 s (water)	Protection range	IP 69
Thread Order number	M12 x 1.5 9409900030	Thread Order number	M14 x 1.5 9409901020