

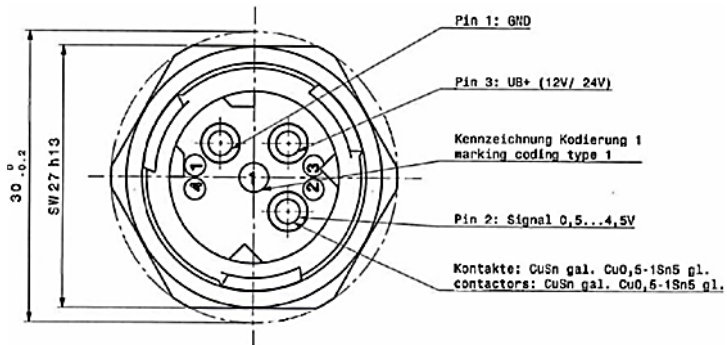
# Temperature sensor

## 94125

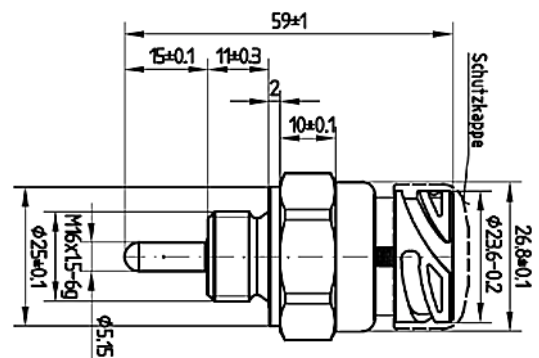
NTC Sensor / PT-200 Sensor



### Connector



### Dimensions



<b>Media</b>	Liquid media e.g. water, oil, fuel	<b>Thread</b>	M16 x 1.5
<b>Output voltage</b>	0.5 V to 4.5 V *	<b>Connector</b>	DIN Bajonett (DIN 72585), Female connector on request
<b>Supply voltage</b>	9 V to 32 V	<b>Protection range</b>	IP 6K9K
<b>Temperature range</b>	- 40 °C to + 140 °C	<b>Order number</b>	9412500900
<b>Time of response</b>	T90 < 15 in water (20 to 80 °C)		

\* Programmable