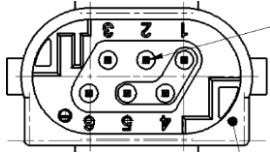
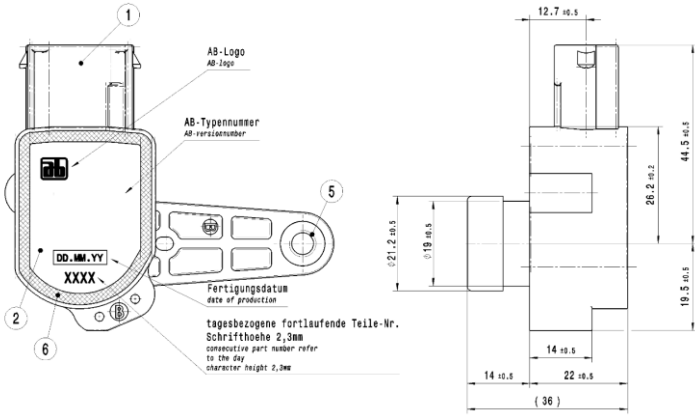


Position Sensor (Hall) 91970 00010



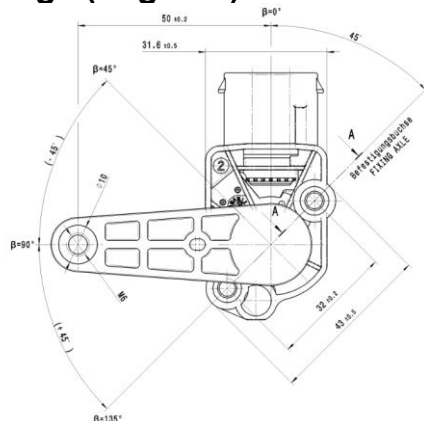
Connector	Dimensions								
 <table border="1"> <thead> <tr> <th>PIN pin</th> <th>Belegung configuration</th> </tr> </thead> <tbody> <tr> <td>5</td> <td>+5V</td> </tr> <tr> <td>4</td> <td>Signal</td> </tr> <tr> <td>1</td> <td>Masse / GND</td> </tr> </tbody> </table>	PIN pin	Belegung configuration	5	+5V	4	Signal	1	Masse / GND	
PIN pin	Belegung configuration								
5	+5V								
4	Signal								
1	Masse / GND								

Drawing 100069680_800_00

Specification 41502

Supply	5 V	Output – voltage range	(0.5 ... 4.5) V	Sealing grade	IP 6K9K (with fitted female connector)
Temperature range	-40 °C to 100 °C	Angle range	± 45°	Output signal	1 signal (analog)
Connector	AMP No. 114-18063-21 (coding A) gold plated, Female connector on request	Independent linearity	≤ 1 %	Current consumption	Max 5.5 mA

Angle range (degrees)



Signal characteristic curve

