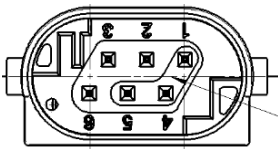


Position Sensor (Inductive)

52101 00000

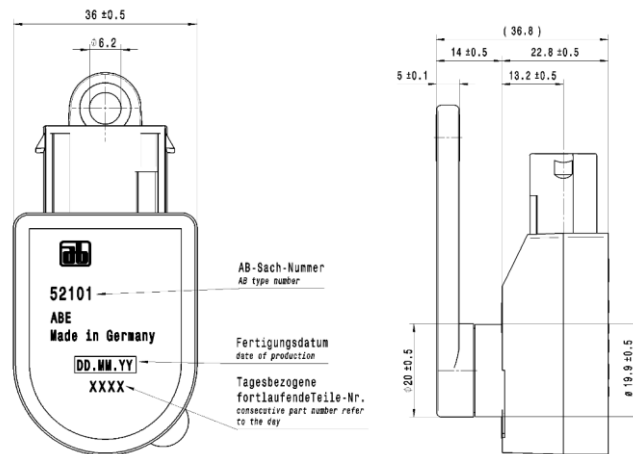


Connector



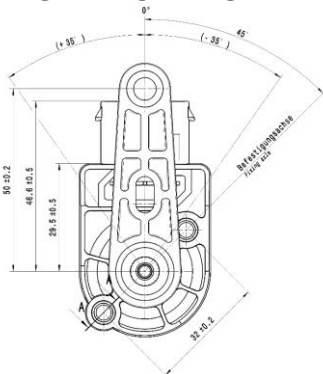
PIN	Belegung pin configuration
5	+5V
4	Signal
1	Masse / GND

Dimensions

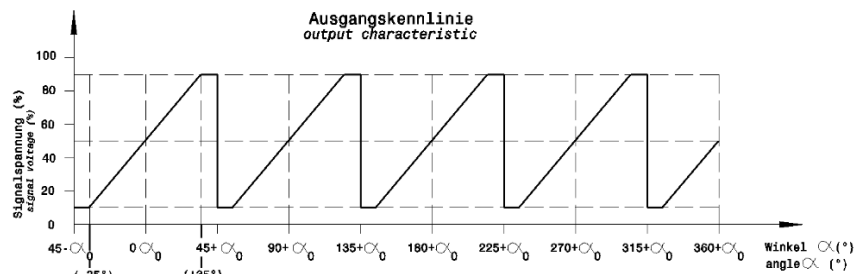


Supply	5 V	Output – voltage range	(0.5 ... 4.5) V	Sealing grade	IP 6K9K (with fitted female connector)
Temperature range	-40 °C to +100 °C	Angle range	± 35°	Output signal	1 signal (analog)
Connector	AMP - No. 114-18063-21 (coding A), Female connector on request	Independent linearity	± 0.9 %	Current consumption	Max. 16 mA

Angle range (degrees)



Signal characteristic curve



Technical status acc. to specification 10.10.2013