

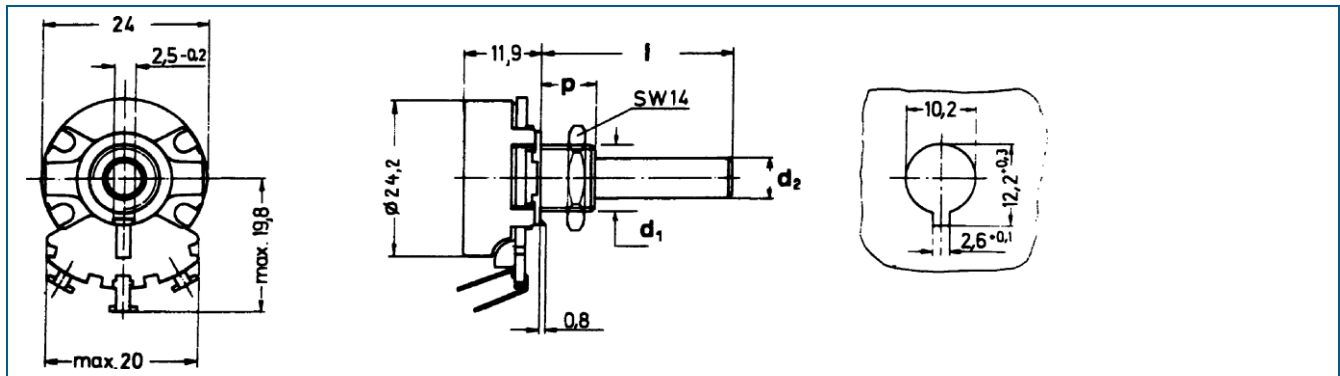
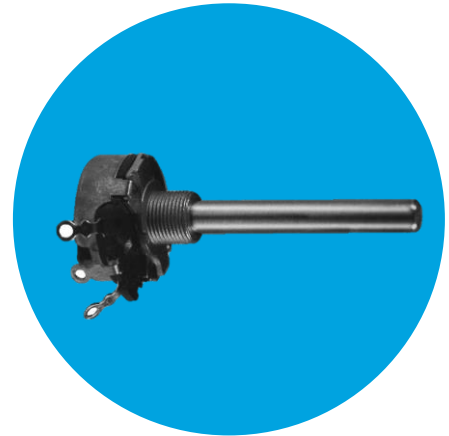
# Wirewound rotary

Series AW

Type AW

Ordering code no.: 31 046 .....

Basic design: encased, nominal width 24 mm, solder tag terminals



## Technical data

|                          |   |                         |                  |
|--------------------------|---|-------------------------|------------------|
| Rated resistance range   | 5 Ω - 25 kΩ                                     | Temperature range       | -40 °C to +90 °C |
| Resistance tolerance     | ± 10 % (< 10 Ω ± 20 %) on request ± 5 % , ± 2 % | Temperature coefficient | See table        |
| Law (resistance taper)   | lin   | Electrical travel       | 280° ± 5°        |
| Independent linearity    | ± 2 %   | Mechanical travel       | 300° ± 10°       |
| Rated dissipation        | 4 W / 40 °C                                     | Operating torque        | 0.7 - 3.6 Ncm    |
| Limiting element voltage | 500 V   | End stop torque         | 115 Ncm          |
| Isolation voltage        | 1 kV -  | Durability              | 10 000 cycles    |

### Spindles

Metal, plastic moulded on request (see table)

| l (mm)      | p (mm)  | d <sub>2</sub> (mm) | d <sub>1</sub> |
|-------------|---------|---------------------|----------------|
| standard 50 | 8 or 12 | 6                   | M10 x 0,75     |

### Temperature coefficient and resolution

| RN                | 10Ω   | 25Ω   | 50Ω          | 100Ω         | 250Ω         | 500Ω  | 1 kΩ | 2,5 kΩ | 5 kΩ | 10 kΩ | 25 kΩ |
|-------------------|-------|-------|--------------|--------------|--------------|-------|------|--------|------|-------|-------|
| TC-value ppm / °C | + 400 | + 400 | + 40<br>- 80 | + 40<br>- 80 | + 40<br>- 80 | + 140 | ± 20 | ± 20   | ± 20 | ± 20  | ± 20  |
| Resolution %      | 0,75  | 0,75  | 0,7          | 0,5          | 0,35         | 0,35  | 0,3  | 0,3    | 0,2  | 0,15  | 0,13  |