



Datasheet – TRU Components

Item no.: 2832832, 3436463, 3436464



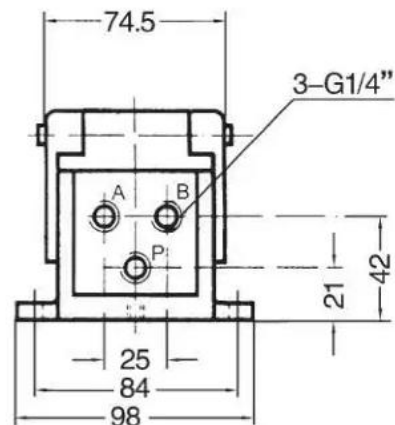
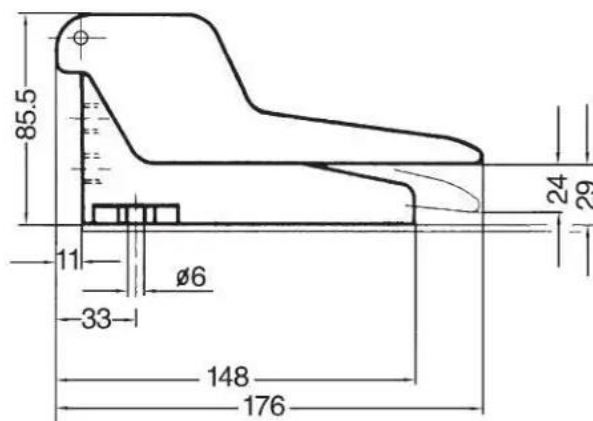
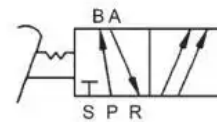
Foot Valve – 2 positions / 5 ways

Specification:

- Function: 2 positions / 5 ways
- Connection: G ¼
- Fluid: Compressed air
- Acting type: Direct operated
- Working pressure: 0.0 – 8.0 Bar
- Ambient temperature: -10 - 70°C
- Operating type: Mono spring reset
- Material: ABS, Steel plate

Dimensions drawings

- BN 3436464 – Foot valve without lock and guard





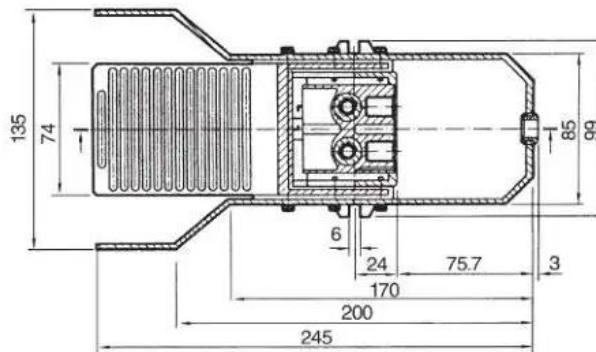
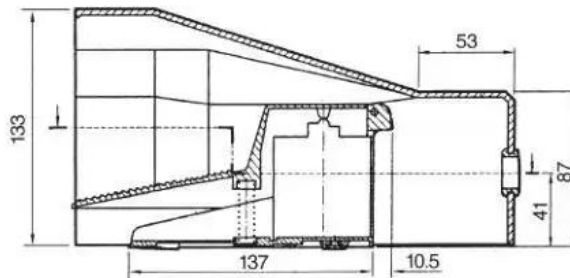
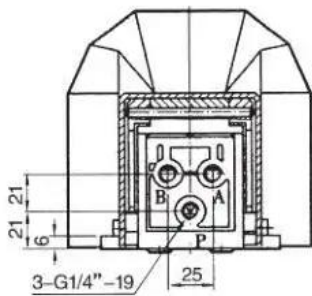
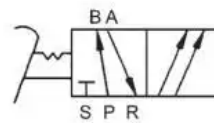
Datasheet – TRU Components

Item no.: 2832832, 3436463, 3436464



Foot Valve – 2 positions / 5 ways

- BN 2832832 – Foot valve with Guard





Datasheet – TRU Components

Item no.: 2832832, 3436463, 3436464



Foot Valve – 2 positions / 5 ways

- BN 3436463 – Foot valve with lock and guard

