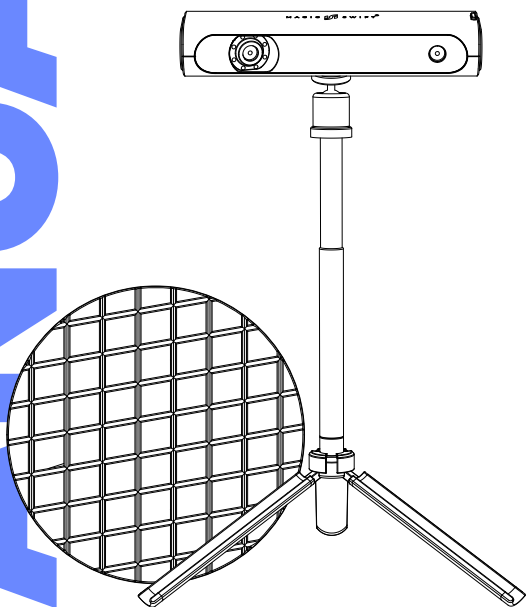


V2.0

MANUAL

3DMAKERPRO

store.3dmakerpro.com



MAGICSWIFT Plus

Hardware Connection **P1**

Packing List **P3**

3DMAKERPRO

- f @3DMakerProCares
- @official3DMakerPro
- @3DMakerPro
- <https://store.3dmakerpro.com/>
- service@3dmakerpro.com

JimuMeta

- f @JimuMeta
- @JimuMeta
- <https://www.jimumeta.com/>
- service@jimumeta.com

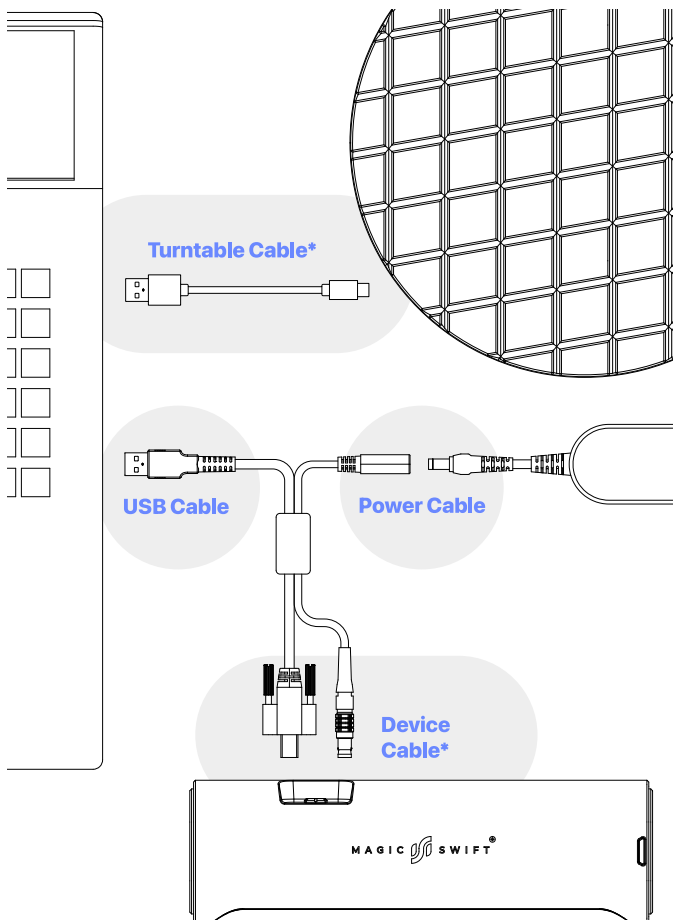
Download latest **JMStudio** from
<https://forum.jimumeta.com/home/help/download.html>

Get latest **Manual** from
<https://forum.jimumeta.com/home/help/manual.html>



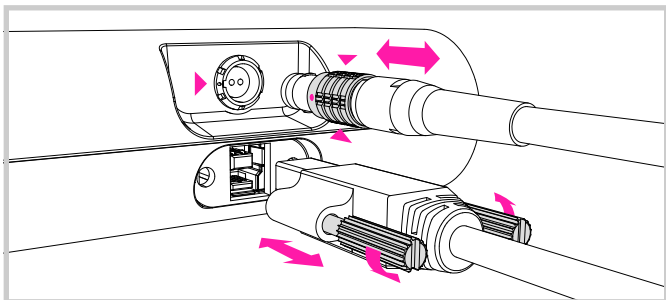
P1

HARDWARE CONNECTION



Plug one side of the data transmission cable (as it' s showing Device Cable) into the scanner, another into the computer USB port and power adapter;
The turntable cable is for powering up the turntable.

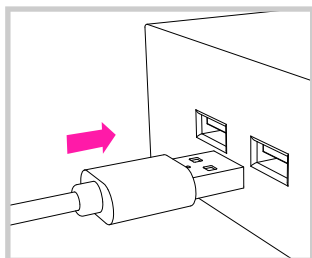
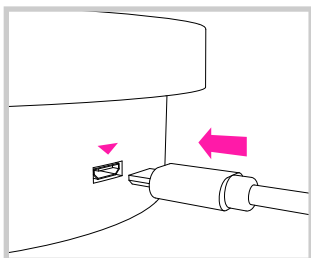
* Device Cable



Plug the device cable into the port of the scanner, make sure the red dot is lined up with the groove on the port;

To unplug the cable, move backwards the bushing (as marked with the red triangles) and pull out the cable directly.

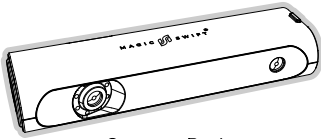
* Turntable Cable



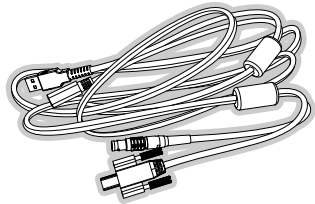
The turntable can be powered up by connecting it to the computer or the power adapter with the turntable cable.

P3

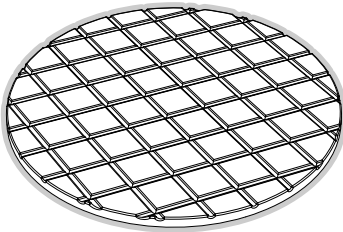
PACKING LIST



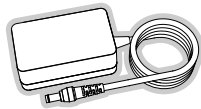
Scanner Body



Device Cable



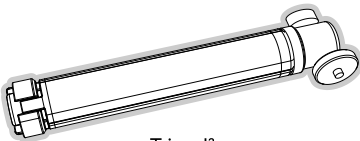
Turntable Surface¹



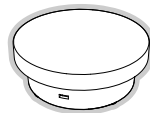
Power Adapter



Turntable Cable³



Tripod²



Turntable⁴



Manual

* Product images are for illustrative purposes only.

* ¹²³⁴Not included in the Standard Combo.

Operating System Requirement



Minimum

Intel Core i5 8th, 16GB RAM, MX250 GPU with 2GB VRAM

Recommended

Intel Core i7 8th, 16GB RAM, NVIDIA1060 GPU with 4GB VRAM



To prevent antivirus software from blocking the driver, please uninstall the antivirus software.