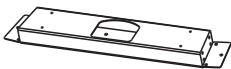

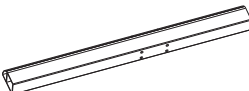

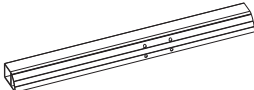








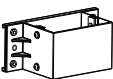




















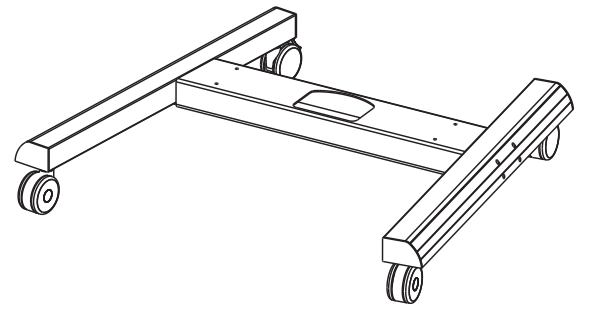
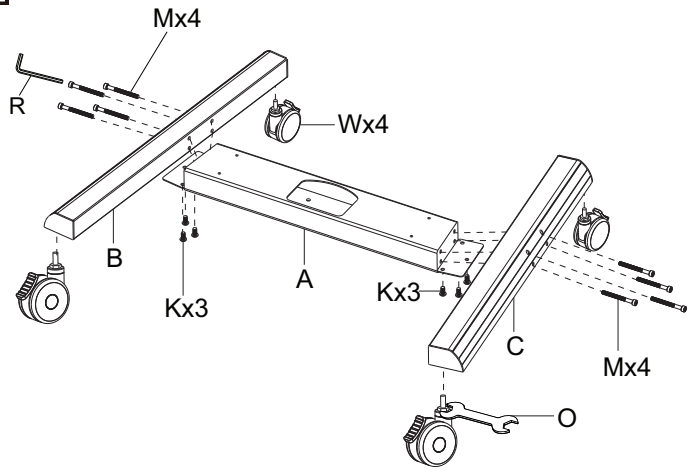
Delivery contents

A		1	M		M8 x 65 mm	8	
B		1	N		D8 Washer	4	
C		1	O		+		1
D		1	P			1	
E		1	Q		Hex key 5 mm	1	
F		2	R		Hex key 6 mm	1	
G		2	S			8	
H		4	T			4	
I		1	U			4	
J		M5 x 10 mm	4	V		M6 x 10 mm	4
K		M8 x 16 mm	10	W			4
L		M8 x 40 mm	4				

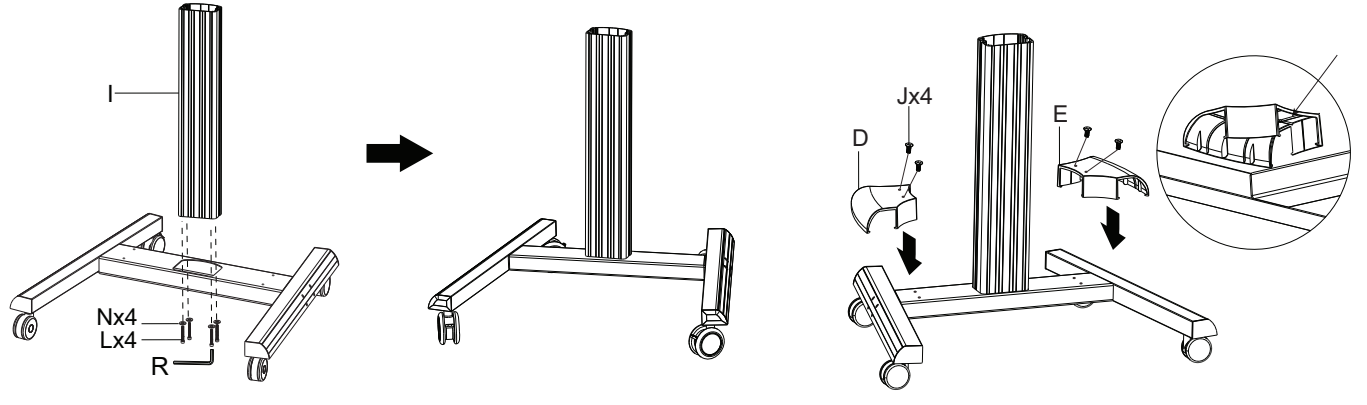
TV Accessories

a	b	c	d	e	f	g	h
							
M8x25mm x8	M6x25mm x8	M5x20mm x8	M4x20mm x8	D8 x8	D6 x8	Φ12x6.5x10mm x8	Φ18x8.5x12 mm x8

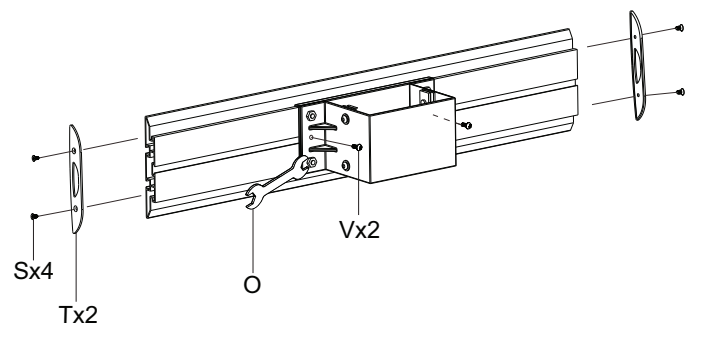
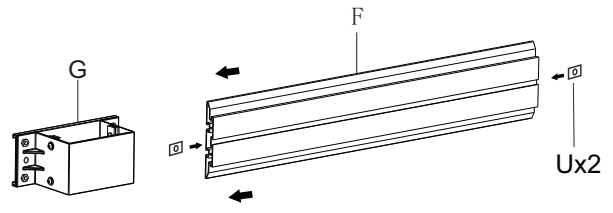
1



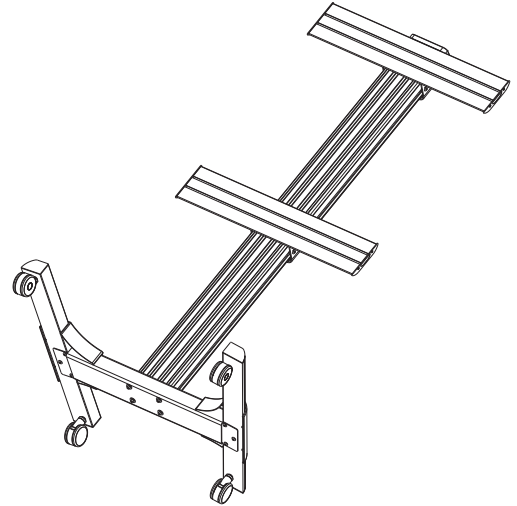
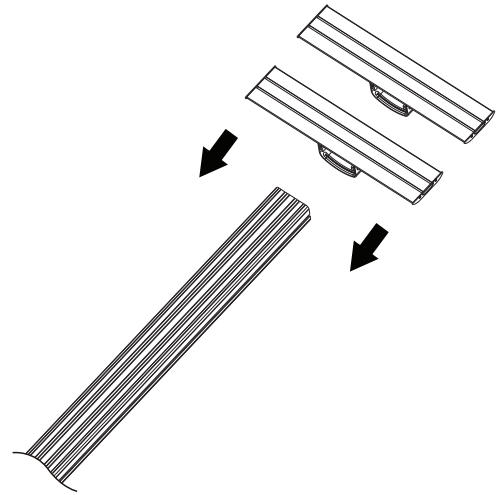
2



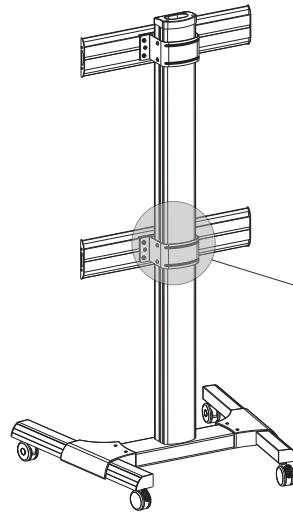
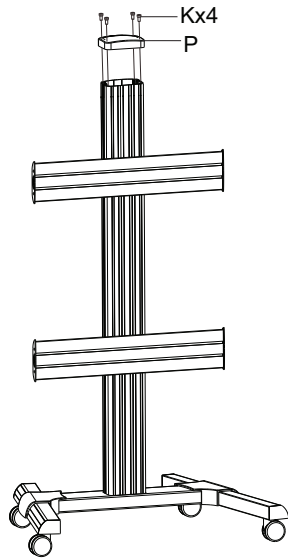
3



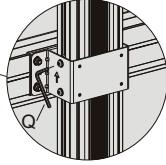
4



5

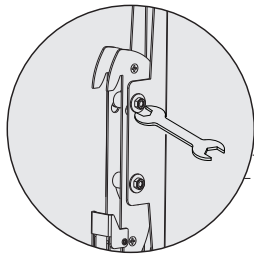


Tighten all screws with a hex key.

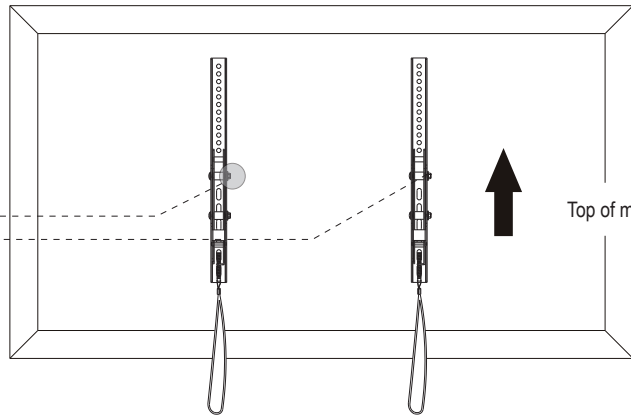


6

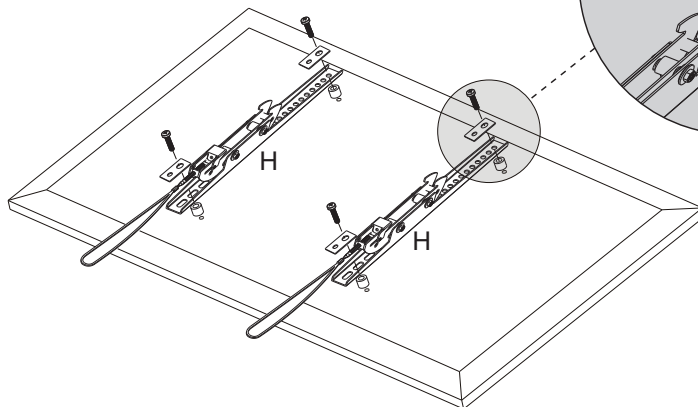
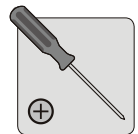
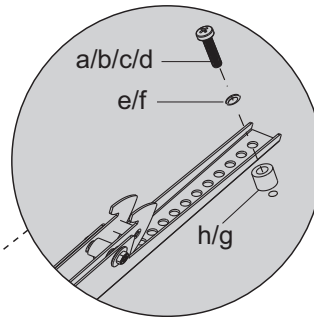
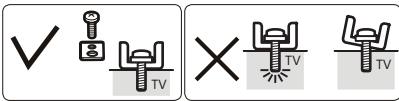
Installing the adapter brackets



Tighten the screws after adjusting the angle.



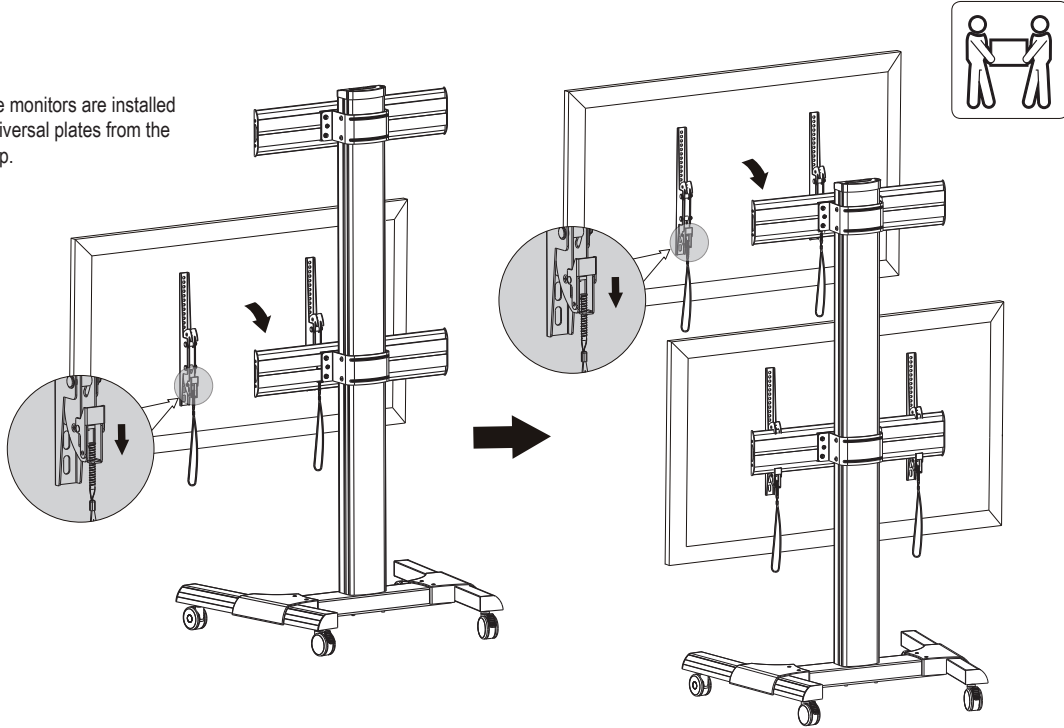
For flat back monitors



7

Hanging monitors onto universal plates

**Note:** the monitors are installed to the universal plates from the bottom up.



8

TV cart with installed monitors

