

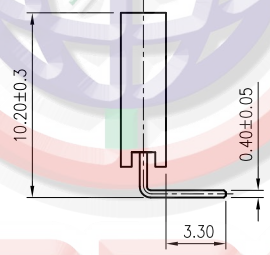
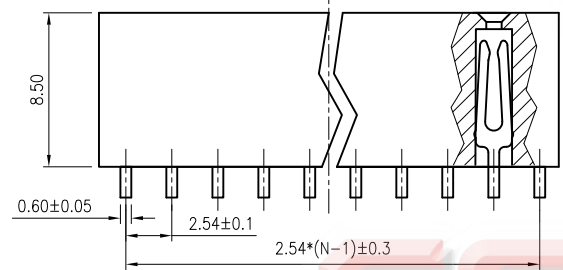
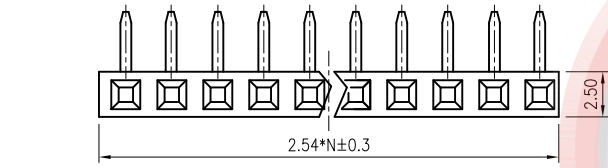
REV.	DESCRIPTION	DRAWN	CHECKED	APPROVED
A	NEW RELEASE	LJH 09/25/05'		LJC 09/25/05'
B	长端子非针尾宽度0.6更改为0.8	LL 11/29/06'		

NOTES:

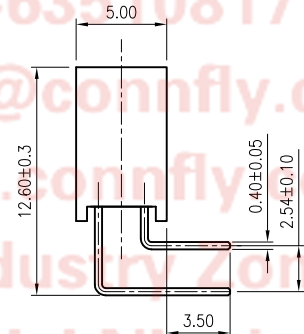
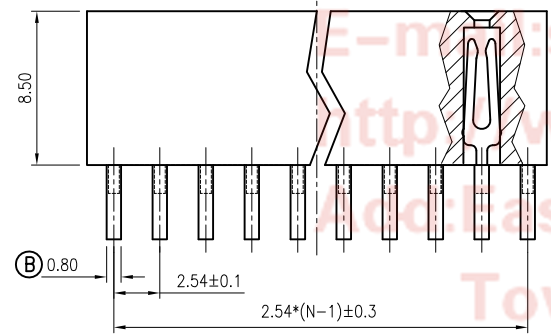
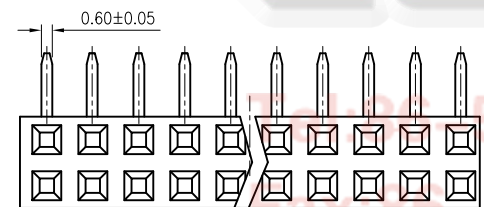
- ELECTRICAL CHARACTERISTICS:
 - CONTACT RESISTANCE: 20mΩ Max. INITIAL.
 - DIELECTRIC WITHSTANDING VOLTAGE: 500V AC(rms) FOR 1 MINUTE.
 - INSULATION RESISTANCE: 1000MΩ Min.
- ENVIRONMENT CHARACTERISTICS:
 - TEMPERATURE: -40°C~+105°C.
- PRODUCT NUMBER CODE:

DS1024- X X X

- CONTACT PLATING
F1: FULL GOLD FLASH
2: GOLD FLASH + NICKEL
- MOUNTING TYPE
R: R/A TYPE
- No. OF CONTACTS
1*1-1*40
2*2-2*40



SINGLE ROW
N:NUMBER OF CONTACTS



DUAL ROWS
N:NUMBER OF CONTACTS/2

GENERAL TOLERANCE		ANGLE TOLERANCE	
X.	±0.60	X.	±5°
.X	±0.38	.X	±3°
.XX	±0.25	.XX	±2°
DRAWING TYPE		CUSTOMER	
SCALE		1:1	SHEET 1 OF 1
DRAWING NO.		C-DS1024-XXXX	

PROJECTION	TITLE
	FEMALE HEADER PITCH 2.54MM R/A TYPE
UNITS	mm
SHEET SIZE	A4
SERIES	DS1024 SERIES

晨翔电子有限公司
CONNFLY CONNFLY ELECTRONIC CO., LTD