

REV.	DESCRIPTION	DRAWN	CHECKED	APPROVED
A	NEW RELEASE	HP 21/06/05		

NOTES:

1. SPECIFICATIONS

- . Contact Resistance: 30mΩ max
- . Insulation Resistance: 1000MΩ min.
- . Current Rating: 1A
- . Dielectric withstanding voltage: AC 500V For 1 minute
- . Contact: Copper alloy.
- . Housing: Thermoplastic(UL 94V-0)

2. PRODUCT NUMBER CODE:

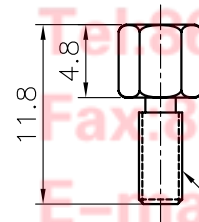
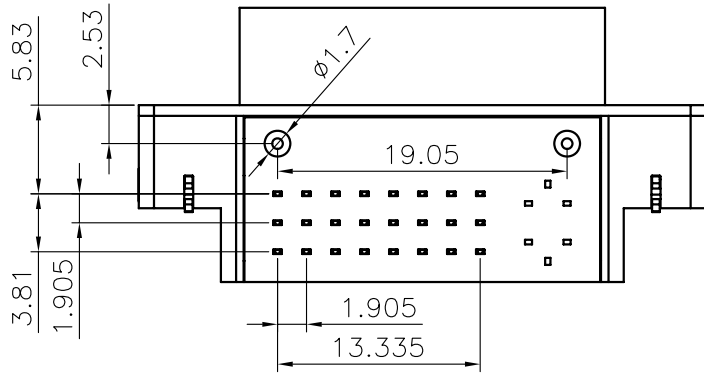
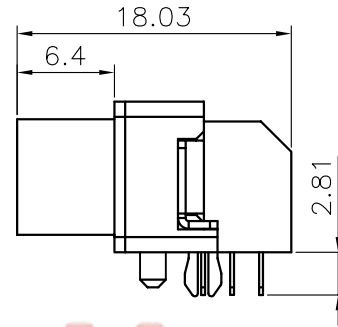
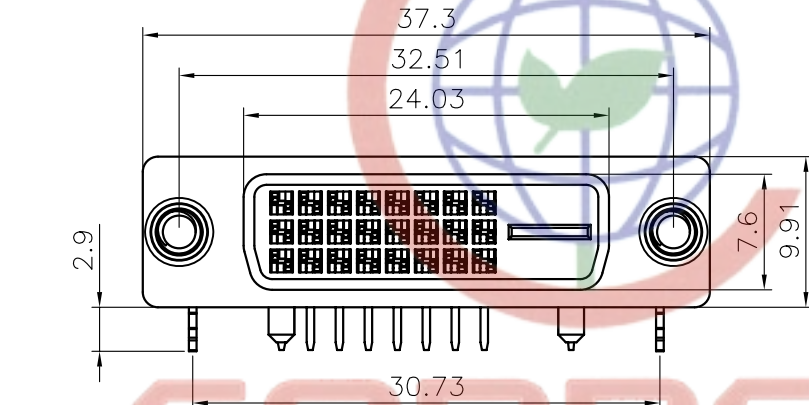
DS1090 - X X X X

Screw type  
 X: W/O screw  
 S: W/ #4-40(UNC) screw  
 D: Rivet Type With Screw  
 In Bulk Package

Contact plating  
 0: Selective gold flash

Shell plating  
 N: Nickel  
 6: Tin

Color of housing  
 W: WHITE  
 B: BLACK  
 V: Ivory



Screw

GENERAL TOLERANCE		ANGLE TOLERANCE		PROJECTION		TITLE	DVI PLUG WITH RIGHT
X.	±0.60	X.	±5°	UNITS	mm		ANGLE 24+1(JDR-241)
.X	±0.38	.X	±3°	SHEET SIZE	A4	SERIES	DS1090
.XX	±0.25	.XX	±2°				
DRAWING TYPE		CUSTOMER					
SCALE		1:1	SHEET	1 OF 1			
DRAWING NO.		C-DS1090-XXXX					



晨翔电子有限公司

CONNFLY CONNFLY ELECTRONIC CO. LTD