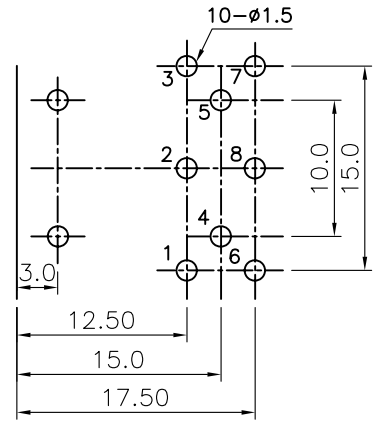
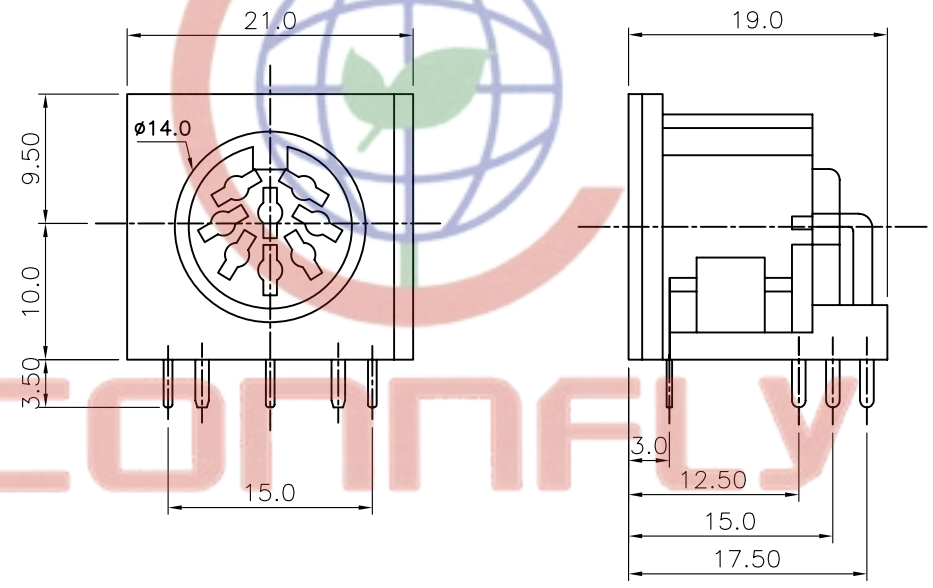
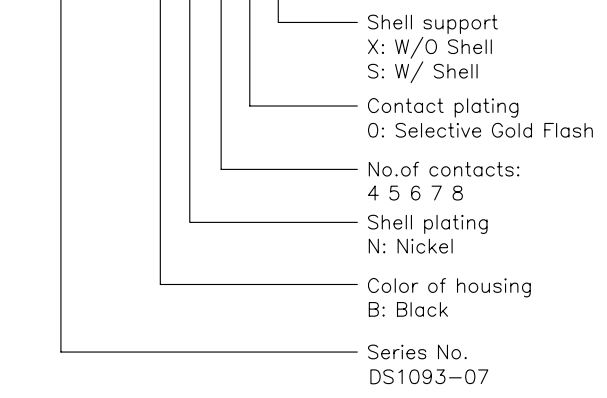


| REV. | DESCRIPTION | DRAWN | CHECKED | APPROVED |
|------|-------------|--------------|---------|----------|
| A | NEW RELEASE | LJH07/18/05' | | |
| | | | | |
| | | | | |

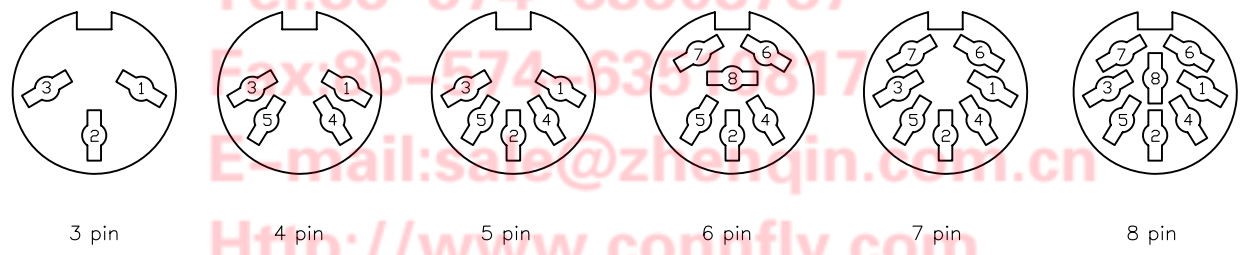
NOTES:

- SPECIFICATIONS:
 - VOLTAGE RATING: 30V DC.
 - CONTACT CURRENT RATING: 1A MAX. PER PIN.
 - CONTACT RESISTANCE: 30 MILLIOHMS MAX.
 - DIELECTRIC WITHSTANDING VOLTAGE: 500V AC(rms) FOR 1 MINUTE.
 - INSULATION RESISTANCE: 1000 MEGAOHMS MIN.
 - OPERATING TEMPERATURE: -40°C~+105°C.

2. PRODUCT NUMBER CODE:
DS1093-07 - X X X X X



RECOMMEND PCB LAYOUT(TOLERANCE= ± 0.05)



| | | | | | |
|-------------------|-------------------|------------|--------|-------|----------------------------|
| GENERAL TOLERANCE | ANGLE TOLERANCE | PROJECTION | | TITLE | MINI DIN 804 W/O SHELLTYPE |
| X. ± 0.60 | X. $\pm 5^\circ$ | UNITS | mm | SHEET | DS1093-07 SERIES |
| .X ± 0.38 | .X $\pm 3^\circ$ | SHEET SIZE | A4 | | |
| .XX ± 0.25 | .XX $\pm 2^\circ$ | | | | |
| DRAWING TYPE | CUSTOMER | | | | |
| SCALE | 1:1 | SHEET | 1 OF 1 | | |
| DRAWING NO. | C-DS1093-07-XXXX | | | | |

晨翔电子有限公司
CONNFLY CONNFLY ELECTRONIC CO. LTD

Tel:86-574-63508787
Fax:86-574-6350817
E-mail:sales@zhongjin.com.cn
Http://www.connfly.com