

SPECIFICATION:

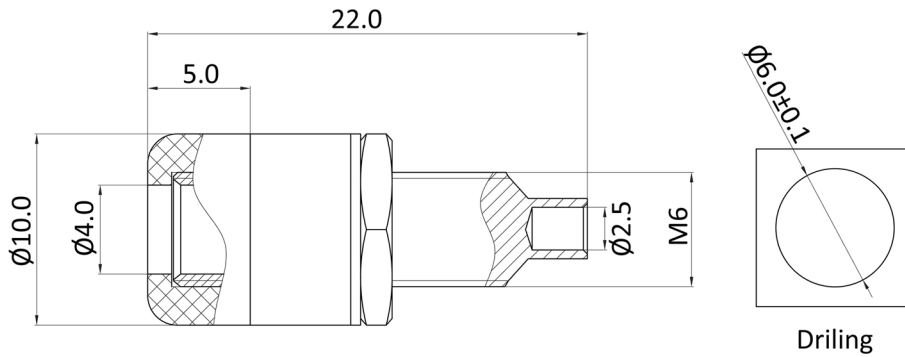
Operating Voltage (Max.): 60 Vdc
 Operating Current (Nom.): 24 A
 Operating Temperature: -20°C to 90°C
 Insulation Resistance (Min.): 500 MΩ
 Contact Resistance (Max.): 5 mΩ

MATERIAL:

Material (Terminal): brass, nickel plated
 Material (Housing): ABS
 Material (Contact Area): brass, nickel plated

HANDLING:

Terminal: solder
 Packaging: bulk
 PU: 500 piece(s)



Order Information

Identifier:
TB40
Telephone socket 4.0 mm

Colour:
#
SW: black
RT: red
BL: blue
GE: yellow
GN: green
WS: white