

Stranded Copper Jumper Wire Copper insulated

2-wires, 0.08 mm², 5 m



SPECIFICATION:

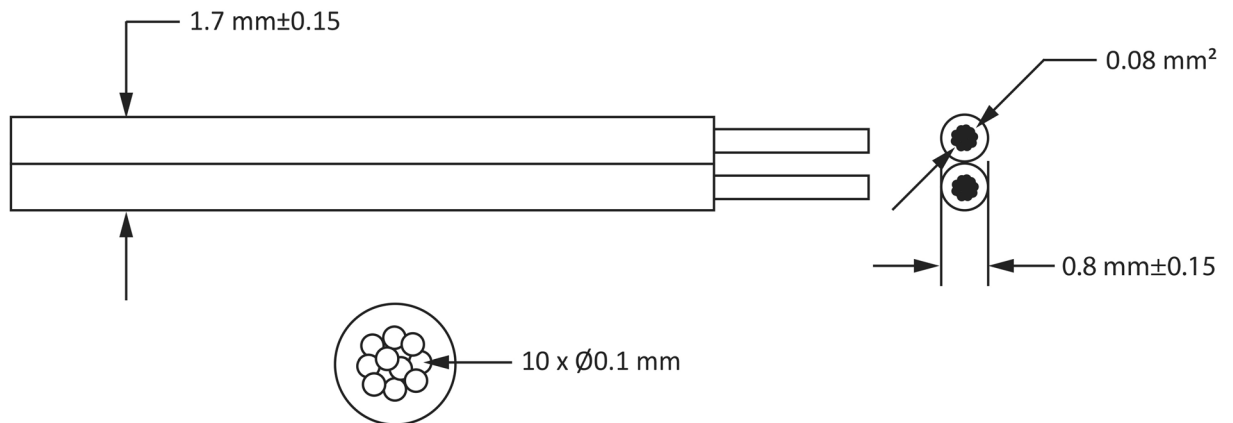
Operating Voltage (Nom.): 100 V
Operating Temperature: -5°C to 85°C
Strands Cross Section: 0.08 mm²

MATERIAL:

Material (Insulation): PVC

HANDLING:

Packaging: ring



Order Information

Identifier:	Version:	Colour:	Length:
KZL	2X008	#	5
Stranded copper 2-wires	2 x 0.08 mm ²	SW: black	5 m
		RT: red	
		BL: blue	
		GN: green	
		GE: yellow	
		BR: brown	
		GR: grey	
		WS: white	