

# Stranded Copper Jumper Wire Copper insulated

2-wires, 0.08 mm<sup>2</sup>, 100 m



### SPECIFICATION:

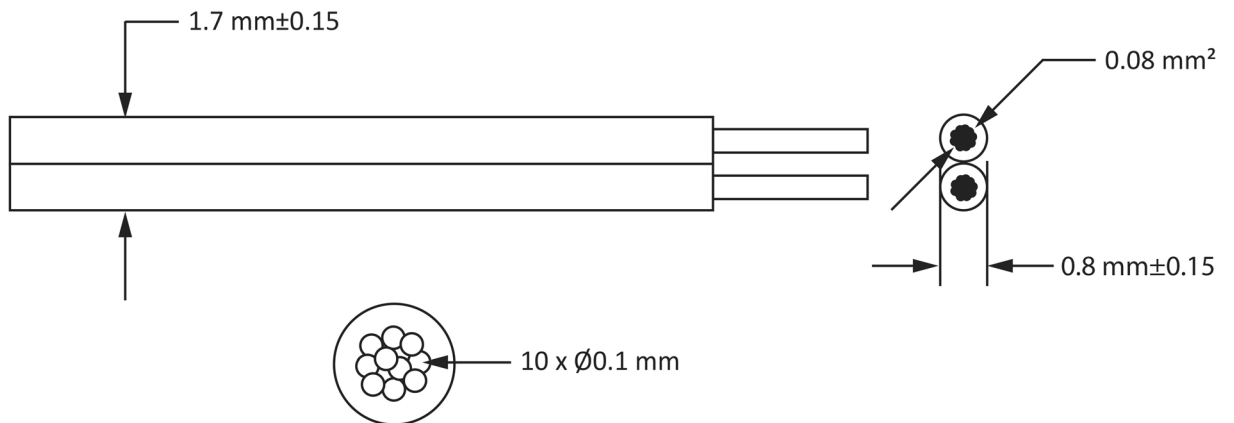
Operating Voltage (Nom.): 100 V  
Operating Temperature: -5°C to 85°C  
Strands Cross Section: 0.08 mm<sup>2</sup>

### MATERIAL:

Material (Insulation): PVC

### HANDLING:

Packaging: ring



### Order Information

Identifier:	Version:	Colour:	Length:
KZL	2X008	#	100
Stranded copper 2-wires	2 x 0.08 mm <sup>2</sup>	SW: black BR: brown WS: white	100 m