

**Flat Cables**  
**AWG 28 Flat Ribbon Cable**

Pitch 1.27 mm, coloured



**SPECIFICATION:**

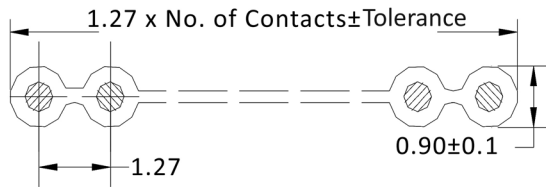
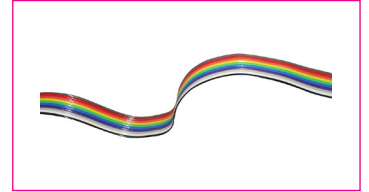
Operating Voltage (Nom.): 300 V  
 Operating Temperature: -30°C to 105°C  
 Dielectric Strength: 2,000 V  
 Version: UL certificated  
 Impedance: 100 Ω

**MATERIAL:**

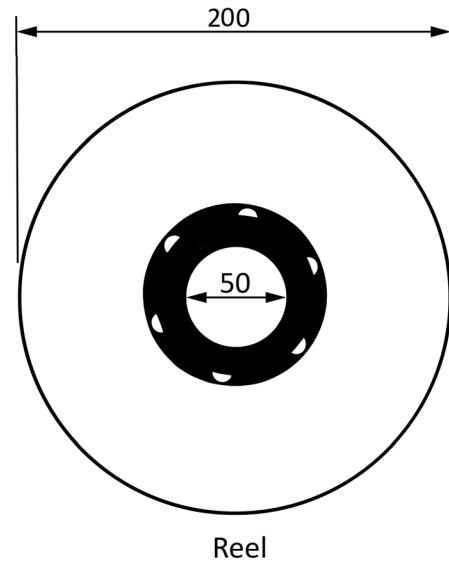
Material (Conductor): copper, tin plated  
 Material (Sheath): PVC

**HANDLING:**

Packaging: ring



No. of Cores: 10-30 30-64  
 Tolerance: ±0.30 ±0.40



**Order Information**

Identifier:	No. of Contacts:	Colour:
<b>28AWG</b>	<b>#</b>	<b>F</b>
Flat ribbon cable 28AWG	10: 10 poles	multi-colored
	14: 14 poles	
	16: 16 poles	
	20: 20 poles	
	25: 25 poles	
	26: 26 poles	
	34: 34 poles	
	40: 40 poles	
	50: 50 poles	
	64: 64 poles	