

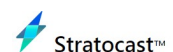


FD9380-H

Fixed Dome Network Camera

5MP • SNV • WDR Pro • Smart IR • 30M IR • Smart Stream III • IP66

- H.265 Compression Technology
- 20 fps @ 2560x1920 (WDR Pro on)
- SNV (Supreme Night Visibility) for Low Light Conditions
- WDR Pro for Unparalleled Visibility in Extremely Bright and Dark Environments
- Smart Stream III to Optimize Bandwidth Efficiency
- Built-in IR Illuminators, Effective up to 30 Meters
- Trend Micro IoT Security
- Weather-proof IP66-rated and Vandal-proof IK10-rated Housing
- Built-in MicroSD/SDHC/SDXC Card Slot for On-board Storage



Technical Specifications

System Information

| | |
|-------|--------------------------------------|
| Model | FD9380-H (2.8mm) FD9380-H (3.6mm) |
| CPU | Multimedia SoC (System-on-Chip) |
| Flash | 128 MB |
| RAM | 512 MB |

Camera Features

| | |
|-------------------------------|---|
| Image Sensor | 1/2.7" Progressive CMOS |
| Max. Resolution | 2560x1920 (5MP) |
| Lens Type | Fixed-focal |
| Focal Length | FD9380-H (2.8mm): f = 2.8 mm FD9380-H (3.6mm): f = 3.6 mm |
| Aperture | F2.0 |
| Auto-iris | Fixed iris |
| Field of View | FD9380-H (2.8mm): 103° (Horizontal) 76° (Vertical) 134° (Diagonal) FD9380-H (3.6mm): 76° (Horizontal) 59° (Vertical) 100° (Diagonal) |
| Shutter Time | 1/5 sec. to 1/32,000 sec. |
| WDR Technology | WDR Pro |
| Day/Night | Yes |
| Removable IR-cut Filter | Yes |
| IR Illuminators | Built-in IR illuminators, effective up to 30 meters with Smart IR, IR LED*2 |
| Minimum Illumination | 0.03 lux @ F2.0 (Color) <0.005 lux @ F2.0 (B/W) 0 lux with IR illumination on |
| Pan Range | 350° |
| Tilt Range | 75° |
| Rotation Range | 350° |
| Pan/Tilt/Zoom Functionalities | ePTZ: 48x digital zoom (4x on IE plug-in, 12x built-in) |
| Storage | Seamless Recording to MicroSD/SDHC/SDXC card and recording to network-attached storage (NAS) |

Video

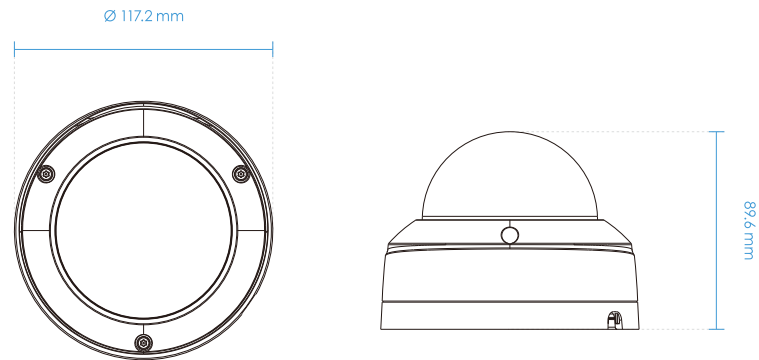
| | |
|--------------------|--|
| Video Compression | H.265, H.264, MJPEG |
| Maximum Frame Rate | 20 fps @ 2560x1920 |
| Maximum Streams | 3 video streams (Up to 8 configurable profiles) |
| S/N Ratio | FD9380-H (2.8mm): 65 dB FD9380-H (3.6mm): 67 dB |
| Dynamic Range | 120 dB |
| Video Streaming | Adjustable resolution, quality and bit rate control, Smart Stream III |
| Image Settings | General settings: video title and time stamp overlay, video orientation (flip, mirror, rotation), day/night settings; Illuminators: illuminators, anti-overexposure; Image settings: white balance, image adjustment (brightness, contrast, saturation, sharpness, gamma curve), defog, 3DNR; Exposure: BLC, HLC, exposure control (exposure level, exposure time, gain control), AE speed adjustment, WDR; Privacy mask; Scheduled profile settings |

Network

| | |
|----------|--|
| Users | Live viewing for up to 10 clients |
| Security | Access list, digest authentication, HTTPS, IEEE 802.1x, password protection, signed firmware, Trend Micro IoT Security (brute force attack event, cyberattack event, quarantine event), user access log, user account management |

| | |
|-----------------------------|--|
| Protocols | 802.1X, ARP, Bonjour, CIFS/SMB, DDNS, DHCP, DNS, FTP, HTTP, HTTPS, ICMP, IGMPv3, IPv4, IPv6, NTP, PPPoE, QoS (CoS/DSCP), RTSP/RTP/RTCP, SMTP, SNMP, SSL, TCP/IP, TLS 1.2, UDP, UPnP |
| Interface | 10 Base-T/100 Base-TX Ethernet (RJ-45) *It is highly recommended to use standard CAT5e & CAT6 cables which are compliant with the 3P/ETL standard. |
| ONVIF | Profile G, S, T supported, specification available at www.onvif.org |
| Solution Integration | |
| Video Motion Detection | Five-window video motion detection |
| VADP Package | Stratocast, Trend Micro IoT Security (1-year free trial), VIVOCloud |
| Alarm and Event | |
| Event Trigger | Camera tampering detection, cybersecurity events (brute force attack event, cyberattack event, quarantine event), manual trigger, motion detection, periodical trigger, recording notification, SD card life expectancy, system boot |
| Event Action | Event notification via email, HTTP, FTP, NAS server, SD card, push notification File upload via email, HTTP, FTP, NAS server, SD card |
| General | |
| Connectors | RJ-45 cable connector for 10/100Mbps Network/PoE connection |
| LED Indicator | System power and status indicator |
| Power Input | IEEE 802.3af PoE Class 2 |
| Power Consumption | Max. 6.49 W/3.69 W (IR on/off) |
| Dimensions | Ø 117.2 x 89.6 mm |
| Weight | 540 g |
| Certifications | EMC: CE (EN 55032 Class B, EN 55024), FCC (FCC Part 15 Subpart B Class B), RCM (AS/NZS CISPR 32 Class B), VCCI (VCCI-CISPR 32 Class B); Safety: UL (UL 62368-1), CB (IEC/EN 62368-1, IEC/EN 60950-22, IEC/EN 62471); Environment: IK10 (IEC 62262), IP66 (IEC 60529); IA: BIS (IS 13252) |
| Operating Temperature | Starting Temperature: -10°C ~ 60°C (14°F ~ 140°F) Working Temperature: -30°C ~ 60°C (-22°F ~ 140°F) |
| Humidity | 90% |
| Warranty | 36 months |
| System Requirements | |
| Operating System | Microsoft Windows 10/8/7 Mac 10.12 (Chrome only) |
| Web Browser | Chrome 58.0 or above Internet Explorer 10/11 |
| Other Players | VLC: 1.1.11 or above |
| Included Accessories | |
| Others | Quick installation guide, alignment sticker, screw pack, cable gland |

Dimensions



Compatible Accessories

Mounting Kits



AM-21A (V02)
L-shape Bracket

Mounting Kits



AM-51G
Adapting Plate

Mounting Kits



AM-52E
Mounting Adapter

Mounting Kits



AM-71B
Outdoor Conduit Box