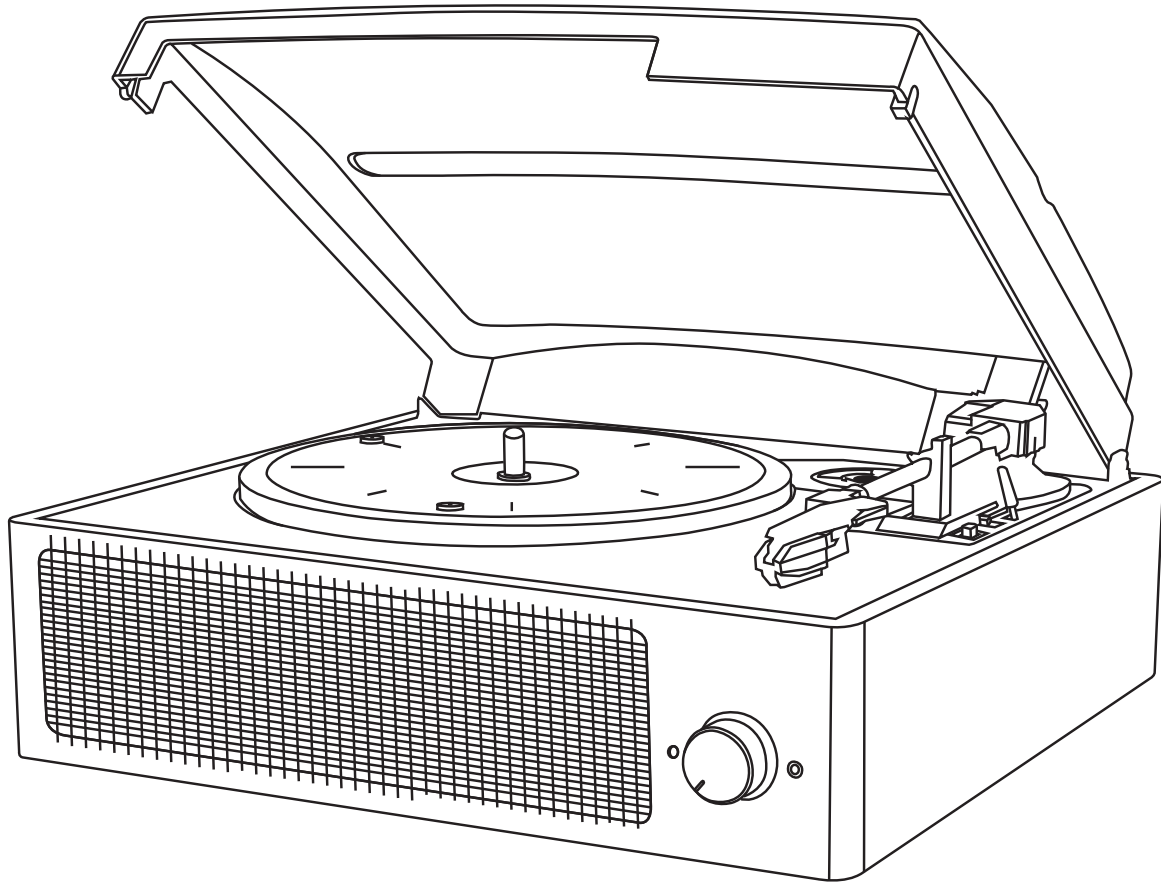


BT Retro LP-Player TX-186



Features

- Bluetooth V5.0
- Stereo loudspeakers 2 x 3 W
- RCA output for connection to HiFi systems
- Vinyl player with 3 speeds: 33, 45, 78rpm
- LP digitalization directly to USB drive
- 3.5mm AUX-IN & 3.5mm headphone jack
- High quality design with functional handling

Contents

Features.....	1
Technical specifications	3
Product overview.....	4
First start	5
Phono mode (Vinyl).....	5
Replacing the Stylus	6
Bluetooth mode	7
Bluetooth playing	7
AUX mode.....	8
Playing Music from an AUX input.....	8
Headphone	8
Connecting to an external amplifier.....	8
Recording audio to USB drive.....	8
Belt drive installation / repair.....	9
FAQ's	9
Hints.....	10
Warnings	11
Declaration of Conformity	11
Disposal	11

Keep this user manual for future reference or product sharing carefully. Do the same with the original accessories for this product. In case of warranty, please contact the dealer or the store where you bought this product.

Enjoy your product * Share your experience and opinion on one of the well-known internet portals.

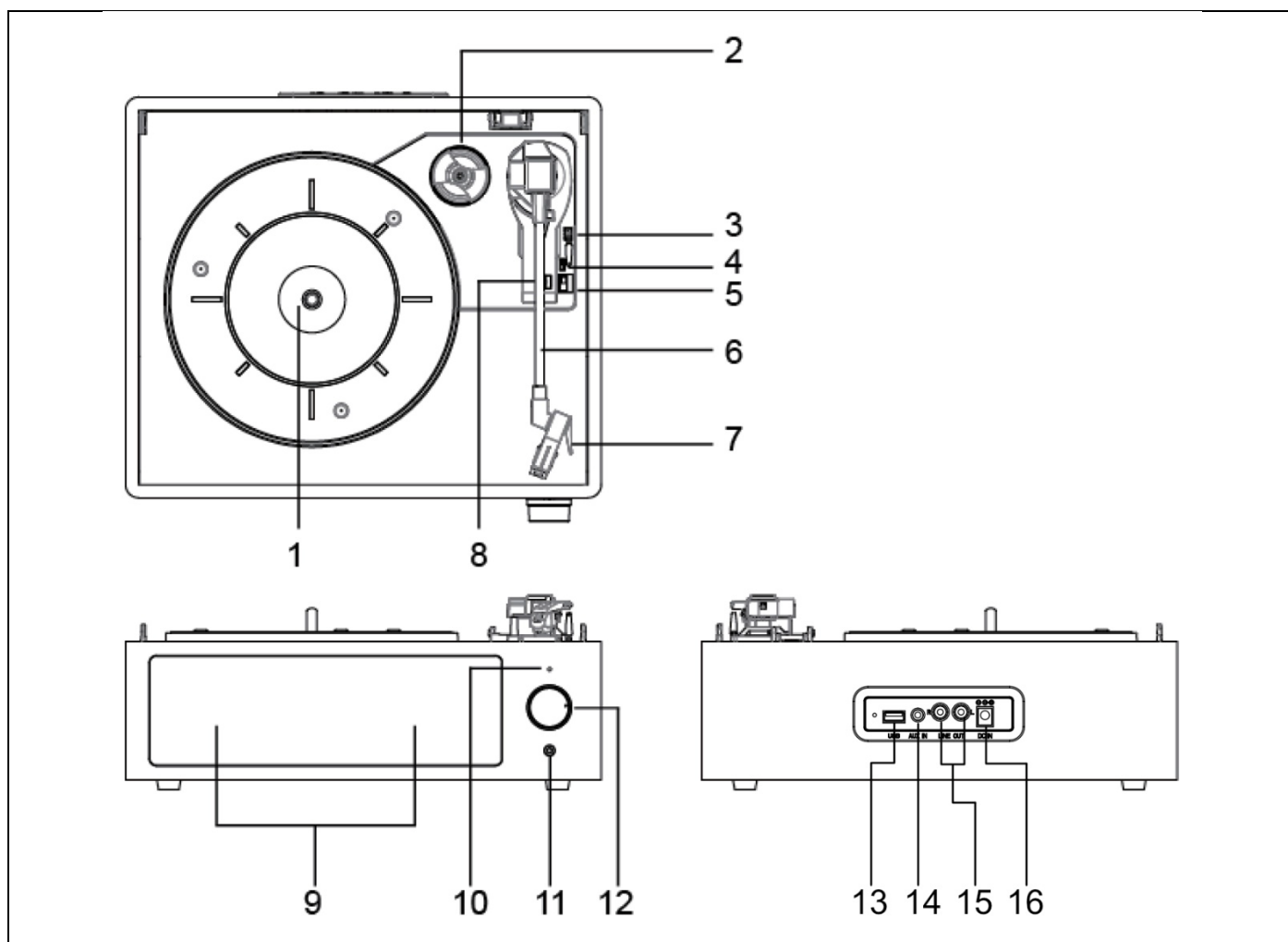
Before usage

- Choose the installation location of your unit carefully. Avoid placing it in direct sunlight or close to a source of heat. Also avoid locations subject to vibrations and excessive dust, heat, cold or moisture.
- Do not install the unit in a inclined position, It is designed to be operated in a horizontal position only.
- If the unit is brought directly from a cold to a warm location, moisture may condense inside the player, and cause damage. When you first install the unit, or when you move it from a cold to a warm location, wait for 30 minutes before operating the unit.
- The ventilation holes should not be covered. Make sure there is enough space above and beside the amplifier/receiver.
- Do not place a CD player or other equipment on top of the device.
- Do not open the cabinet. This might cause a damage to circuitry or electrical shock.
- If you are not going to use the player for long time, be sure to disconnect the player from the AC power source. When removing the power plug, never yank the cord.
- To prevent fire or shock hazard, disconnect your unit from the AC-power source when cleaning. Use caution when cleaning and wiping the plastic parts. Do not attempt to clean the unit with the chemical solvents as this might damage the finish.

Technical specifications

Bluetooth	V5.0; range ~10m open areas
Bluetooth transmitting frequency 2.4GHz	
Radiated output power max. 2.5mW	
Mode	Phono, Bluetooth, AUX-IN, USB
Speakers	2x 3W stereo loudspeakers, impedance 4Ω, frequency range 75Hz–20kHz
Phono	EP/LP/SP; DC motor; speeds: 33/45/78rpm; S/N≥45dB; needle cartridge (Model-ID:4768); belt-drive
AUX-IN & Headphone	3.5mm jack
RCA output	Cinch (Left & Right)
Power adapter voltage	100-240V 50/60Hz
Power input	DC 5V 1A
Power consumption	Max. 5W
Weight / Dimensions	2.2 kg / (L) 33.0 x (W) 28.5 x (H) 12.4cm
Package contents	Bluetooth Retro LP-Player TX-186, 45rpm single puck adapter, power adapter, user manual

Product overview



1	Turntable
2	45 Single adaptor
3	Auto stop on / off switch
4	Tone arm lifter
5	Speed selector
6	Tone arm
7	Cartridge / Stylus
8	Security latch
9	Speaker
10	Indicator Power / Bluetooth (Power red / Bluetooth blue)
11	Headphone output
12	Mode switch / Volume control
13	USB port (record only)
14	AUX-IN
15	RCA (R&L) output
16	Power input (DC 5V)

First start

Carefully read the manual. Plug the power adapter into a 100-240V AC outlet and the other end into the TX-186 (16). Power on the device by turning the volume control knob (12). Bluetooth is in on state by default.

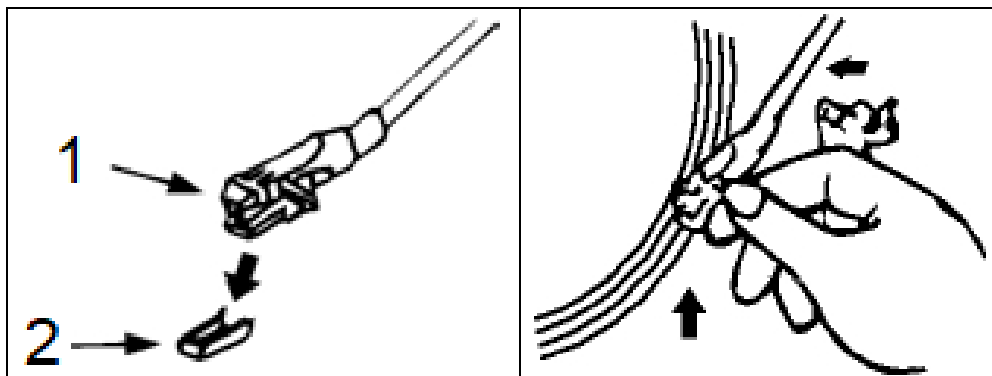
Phono mode (Vinyl)

Vinyl records hints

- Do not touch the records grooves. Only handle records by their edges or the label. Ensure that your hands are clean. Skin oil will gradually deteriorate the record.
- Keep your records away from dust and store in a dry, cool place.
- Keep your records in sleeves when not in use to avoid dust and scratches.
- Store records upright. Records stored horizontally will bend and warp.
- Do not store records in the trunk of a car.
- Store records in an area with a stable temperature and low humidity.
- To clean, gently wipe the surface in a circular motion using a soft anti-static cloth.

Playing a vinyl record

When using the turntable, make sure to remove the stylus protector (2) according the picture below. It should easily slide off the cartridge stylus assembly (1). Furthermore, make sure to unclip the tone arm lock before use and to secure it again after use.

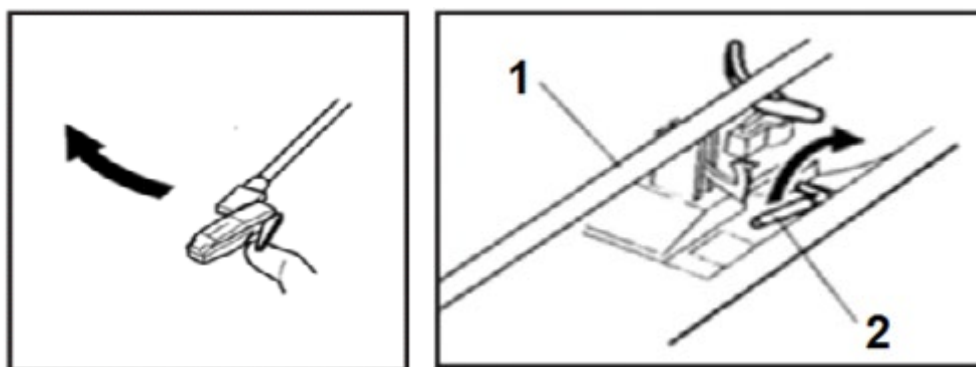


- Turn on the unit and adjust the volume to an appropriate level.
- Turn the function knob to the PHONO position.

- Place a record on the turntable platter and select the correct player speed: 33/45/78rpm according to the vinyl being played. When playing a 45rpm record, use the included 45rpm adaptor.
- Remove the stylus guard and unlock the tone arm lock.
- Push the lift lever up to raise the tone arm and then gently move the tone arm to the desired position over the record.

The platter will begin to spin when the tone arm is moved toward the record. Push the cue-lever (2) forward to lower the tone arm slowly onto the desired position on the record. The record will begin playing.

- When the record is finished, push the tone arm lifter (2) backwards to raise the tone arm and gently move it back to its rest position.
- When you have finished playing records, engage the tone arm lock to protect it from accidental movement. Unplug the TX-186 from the power supply if it is not going to be used for a while.



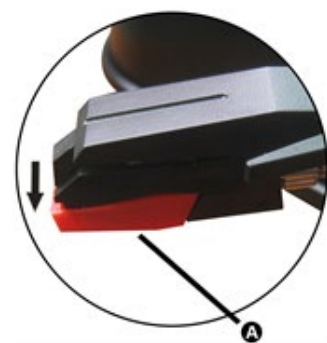
1. Tone Arm / 2. Tone Arm Lifter

Replacing the Stylus

It is recommended that the stylus is replaced as soon as you notice a change in the sound quality. Prolonged use of a worn-out stylus may damage the record. Wear and tear on the stylus will be accelerated when playing 78 RPM records.

A: Removing the stylus from the cartridge

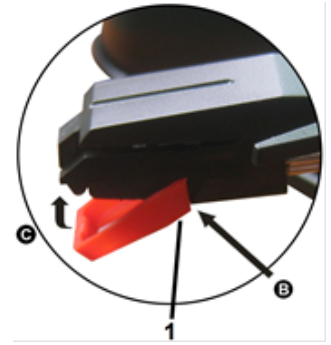
Place a screwdriver at the tip of the stylus head shell and push downwards in the direction shown in sketch "A". Remove the stylus head shell by pulling it forwards and pushing downwards.



B: Installing the new stylus

Hold the tip of the stylus head shell and insert it by pressing in the direction illustrated by “B”. Push the stylus head shell upwards in the direction illustrated by “C” until the stylus locks into the tip position.

(1) *Guide pins inside*



Caution

- Do not bend the stylus.
- Do not touch the needle to avoid injury.
- Turn off the unit's power before you replace the stylus.
- Keep out of reach of children.
- Handle with care as the stylus is delicate. Use of a bent or broken stylus may damage the record and cause malfunction.
- Do not expose the stylus to extreme heat.

Bluetooth mode

Bluetooth playing

Turn on the device by turn the volume knob (12) until the indicator flashes blue. Then you should turn on your phone or other media device and start the Bluetooth searching function, receive carrier will receive the Bluetooth identification number for: “**Technaxx TX-186**”, when your Bluetooth device is connected, the speaker will beep.

NOTE: Unplug an AUX-IN or Headphone before use the Bluetooth function. Put the Tone Arm on tone arm rest and security latch. Control the music from your playback device which is connected to the LP Player.

ATTENTION: If you reboot the machine, you should repeat those steps to get the Bluetooth function restarted. The last connected device connects automatically.

AUX mode

Playing Music from an AUX input

- Turn the unit ON by turn the volume knob (12).
- Connect one end of the 3.5mm AUX-IN cable (included) into the 3.5mm AUX-IN Jack on the back panel of the unit and the other end to your audio device's (CD player, Tablet, MP3 player, Smartphone etc.) AUX jack.
- Press PLAY on the external audio source.

NOTE: ● The volume output is affected by the volume level on the source. Ensure that the source volume is set to about 70-80% to avoid sound distortion. Playback must be controlled from your connected audio device.

Headphone

Connect a headphone to the AUX-out 3.5mm jack (11). Set the mode you want to listen to. Every mode is possible. Set the volume to a pleasant setting and enjoy listen to your music.

Connecting to an external amplifier

- This feature enables you to play turntable music through amplifier or external speakers. You will need an RCA cable to make this connection (not included).
- Plug one end of the Red and White RCA jacks into the RCA output (15) at the back of the TX-186 and the other end into R (red) and L (white) sockets at the back of the amplifier or external speakers.

Recording audio to USB drive

This equipment has the capacity to encode your vinyl music into digital format for record options directly to USB drive

- Insert the USB-drive into the USB slot (13).
- Get your music media ready for playback: place a record on the turntable and start playing.
- The LP player will recognize the USB device
- It creates a new MP3-file to the USB device according play and pause.
- The file names have to be renamed according recorded files afterwards.

Note: 32GB USB devices have to be formatted in FAT32. Above 32GB storage it has to be formatted into exFAT format. Maximum storage size is 128GB.

Belt drive installation / repair

1. Use a screwdriver to remove the c-shape locking clip from the rotation axis.
2. Lift the turntable plate up and remove from the axis of rotation (you will find the driving belt detach from the track of the turntable.)
3. There are two small cylindrical pins on the back of the turntable plate for the help of belt replacement. Place the belt on the track and hook the belt to one pin.
4. Place the turntable plate back on the axis and make sure that the space formed by pin and belts is aligned with the metal pin on the turntable bracket, so that the metal pin on the turntable bracket, so that the metal pin will stand in a triangular space when the turntable plate is fully back on.
5. Manually rotate the turntable for about half-turn and the belt will be positioned. Finally put the clip back on the shaft.

FAQ's

Device will not power on

→ Make sure that the unit's power cord is connected to an appropriate electrical outlet and the wall socket is switched on.

There is no sound

→ Rotate the power/volume knob clockwise to increase the volume.

The vinyl record will not play

→ Make sure the function knob is set to your desired function. Make sure you have selected the right speed (33, 45 or 78 RPM).

Nothing will play via the AUX IN connection

→ Make sure the cable is firmly connected and check if external device is clean and undamaged. Check the function knob is set to your desired function. Check that volume of external device is at 70-80%.

Nothing will play via the BT device

→ Make sure the BT is connected and the external device plays a sound. Reconnect the BT and check the set volume of LP Player and external device.

NOTE: If normal operation cannot be obtained, unplug the power cord from the power outlet and plug it in again.

Hints

- **Unpacking and handling:** Open the carton carefully and remove the packing. Remove the poly-bag and retain all packaging for future use. Keep all packaging away from small children and animals.
- **Positioning the music centre:** Place the equipment on a stable surface, away from any heat sources, and ensuring adequate ventilation around the music centre.
- **Ventilation and heat sources:** Do not place material over any ventilation slots during use, this will cause the device to overheat and fail. Do not place the device in direct sunlight or near heat sources such as radiators or fires.
- **Candles and open flames:** Do not place lighted candles or tea lights on top of, or at the sides of the music centre. Do not allow any naked flames near the cabinet.
- **Connections:** When connecting the music centre to the mains supply, do not place wires that can be tripped over. Do not trap or place heavy objects on the mains lead.
- **Moisture:** Do not place the equipment in wet or damp conditions, such as steamy kitchens, bathrooms or basements. Do not allow water or other fluids to enter the equipment. Do not touch the mains plug or adaptor with wet hands. Should moisture enter the music centre, disconnect from the power supply.
- **Cleaning and care:** Disconnect the music centre from the mains power supply. Use a soft dry cloth, or for stubborn stains use a soft cloth with a dilute mild detergent. Do not use alcohol-based fluids or abrasive materials.

Warnings

● Do not use this unit for anything other than its intended to use. ● Do not drop / bump / shake the device ● Do not use the unit if it has been damaged in any way. ● Do not open / repair / disassemble the device ● Do not store the device in high temperature environment / close to open fire / in humid, damp or erosive environments / into water. ● **Stop using** when unusual smell / heating distortion / color change of the shell material or other abnormal situation happens. ● **Keep away from** children / persons without enough mental ability / persons without enough knowledge to use this product.

Service phone No. for technical support: 01805 012643* (14 cent/minute from German fixed-line and 42 cent/minute from mobile networks).

Free Email: support@technaxx.de

*The support hotline is available Mon-Fri from 9 am to 1 pm & 2 pm to 5 pm.

Declaration of Conformity



The EU Declaration of Conformity can be requested at the following address: www.technaxx.de/ (in the lower bar "Declaration of Conformity").

Disposal



Disposal of the packaging. Sort packaging materials by type upon disposal. Dispose of cardboard and paperboard in the waste paper. Foils should be submitted for recyclables collection.



Disposing of old equipment (Applies in the European Union and other European countries with separate collection (collection of recyclable materials) Old equipment must not be disposed of with household waste! Every consumer is required by law to dispose of old devices that can no longer be used separately from household waste, e.g. at a collection point in his or her municipality or district. This ensures that the old devices are properly recycled and that negative effects on the environment are avoided. For this reason, electrical devices are marked with the symbol shown here.



Batteries and rechargeable batteries must not be disposed of in household waste! As a consumer, you are required by law to dispose of all batteries and rechargeable batteries, whether they contain harmful substances* or not, at a collection point in your community/city or with a retailer, to ensure that the batteries can be disposed of in an environmentally friendly manner. * marked with: Cd = cadmium, Hg = mercury, Pb = lead. Return your product to your collection point with the fully discharged battery installed inside!

Made in China

Distributed by:

Technaxx Germany GmbH & Co. KG

Konrad-Zuse-Ring 16-18,

61137 Schöneck, Germany