



selector switch, red / yellow 48x48 mm Front plate mounting Central hole mounting 22.5mm with coupling part for shaft 6x6 mm, accessory for Load disconnecter 3LD3

Model	
product brand name	SETRON
degree of protection NEMA rating	no
suitability for use	
<ul style="list-style-type: none"> • switch disconnecter 	Yes
<ul style="list-style-type: none"> • circuit breaker 	No
<ul style="list-style-type: none"> • EMERGENCY OFF switch 	Yes
color	red / yellow
<ul style="list-style-type: none"> • of the actuating element 	red / yellow
<ul style="list-style-type: none"> • Product component with axis 	No
<ul style="list-style-type: none"> • Product component restart inhibit function block 	No
<ul style="list-style-type: none"> • product component padlock locking mechanism 	No
<ul style="list-style-type: none"> • product component key lock 	No

accessories	
hasp thickness of the bracket locks	4 ... 6 mm

Further information

Siemens has decided to exit the Russian market (see here).

<https://press.siemens.com/global/en/pressrelease/siemens-wind-down-russian-business>

Siemens is working on the renewal of the current EAC certificates.

Please contact your local Siemens office on the status of validity of the EAC certification if you intend to import or offer to supply these products to an EAC relevant market (other than the sanctioned EAEU member states Russia or Belarus).

Information on the packaging

<https://support.industry.siemens.com/cs/ww/en/view/109813875>

Information- and Downloadcenter (Catalogs, Brochures,...)

<http://www.siemens.com/lowvoltage/catalogs>

Industry Mall (Online ordering system)

<https://mall.industry.siemens.com/mall/en/en/Catalog/product?mlfb=3LD9343-5C>

Service&Support (Manuals, Certificates, Characteristics, FAQs,...)

<https://support.industry.siemens.com/cs/ww/en/ps/3LD9343-5C>

Image database (product images, 2D dimension drawings, 3D models, device circuit diagrams, ...)

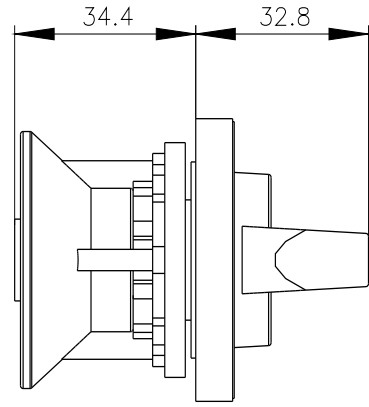
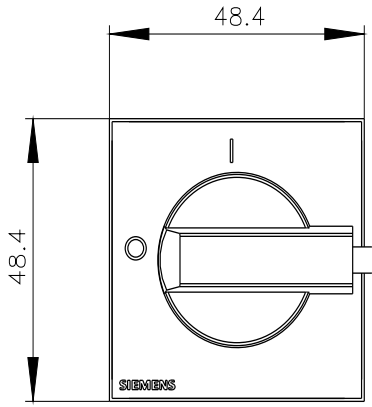
http://www.automation.siemens.com/bilddb/cax_en.aspx?mlfb=3LD9343-5C

CAX-Online-Generator

<http://www.siemens.com/cax>

Tender specifications

<http://www.siemens.com/specifications>



last modified:

6/27/2023 

