



Mounting kit, for conversion to installation on standard mounting rail, for Size NH000 1-pole for floor mounting, accessory for fuse switch disconnecter 3NP1

Model		
product brand name	SENTRON	
product designation	mounting set	
suitability for use	for 3NP1, 1-pole, 2-pole, NH000, floor mounting	
General Product Approval	Declaration of Conformity	Marine / Shipping

[Confirmation](#)

[Miscellaneous](#)



other	Environment	
<a href="#">Miscellaneous</a>	<a href="#">Confirmation</a>	<a href="#">Environmental Confirmations</a>

### Further information

**Siemens has decided to exit the Russian market (see here).**  
<https://press.siemens.com/global/en/pressrelease/siemens-wind-down-russian-business>

**Siemens is working on the renewal of the current EAC certificates.**  
 Please contact your local Siemens office on the status of validity of the EAC certification if you intend to import or offer to supply these products to an EAC relevant market (other than the sanctioned EAEU member states Russia or Belarus).

**Information on the packaging**  
<https://support.industry.siemens.com/cs/ww/en/view/109813875>

**Information- and Downloadcenter (Catalogs, Brochures,...)**  
<http://www.siemens.com/lowvoltage/catalogs>

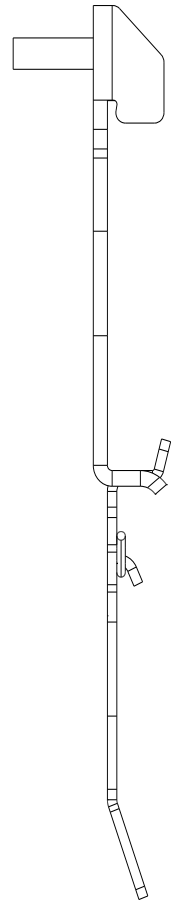
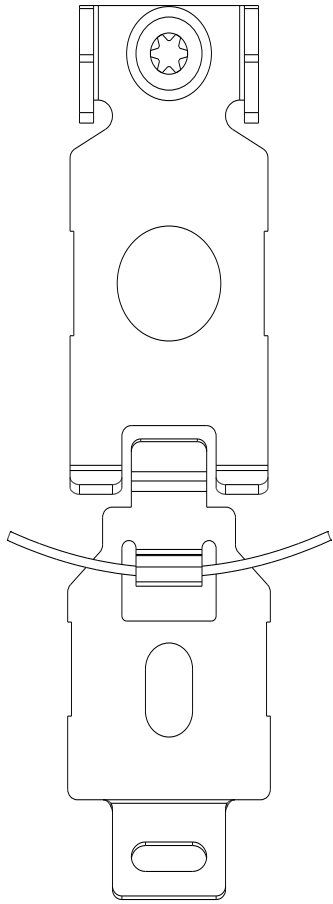
**Industry Mall (Online ordering system)**  
<https://mall.industry.siemens.com/mall/en/en/Catalog/product?mlfb=3NP1921-1EA00>

**Service&Support (Manuals, Certificates, Characteristics, FAQs,...)**  
<https://support.industry.siemens.com/cs/ww/en/ps/3NP1921-1EA00>

**Image database (product images, 2D dimension drawings, 3D models, device circuit diagrams, ...)**  
[http://www.automation.siemens.com/bilddb/cax\\_en.aspx?mlfb=3NP1921-1EA00](http://www.automation.siemens.com/bilddb/cax_en.aspx?mlfb=3NP1921-1EA00)

**CAX-Online-Generator**  
<http://www.siemens.com/cax>

**Tender specifications**  
<http://www.siemens.com/specifications>



---

last modified:

7/15/2022 

