



Saddle terminal 1.5 - 70 mm<sup>2</sup>, for Size NH00 1-pole with screw terminal, accessory for fuse switch disconnecter 3NP1 contains 1 terminal

Model		
product brand name	SETRON	
product designation	Saddle terminals	
suitability for use	for 3NP1, 1-pole, NH00, with flat connector	
<b>General Product Approval</b>	<b>Declaration of Conformity</b>	<b>Marine / Shipping</b>

[Confirmation](#)

[Miscellaneous](#)



other	Environment	
<a href="#">Miscellaneous</a>	<a href="#">Confirmation</a>	<a href="#">Environmental Confirmations</a>

### Further information

**Siemens has decided to exit the Russian market (see here).**  
<https://press.siemens.com/global/en/pressrelease/siemens-wind-down-russian-business>

**Siemens is working on the renewal of the current EAC certificates.**  
 Please contact your local Siemens office on the status of validity of the EAC certification if you intend to import or offer to supply these products to an EAC relevant market (other than the sanctioned EAEU member states Russia or Belarus).

**Information on the packaging**  
<https://support.industry.siemens.com/cs/ww/en/view/109813875>

**Information- and Downloadcenter (Catalogs, Brochures,...)**  
<http://www.siemens.com/lowvoltage/catalogs>

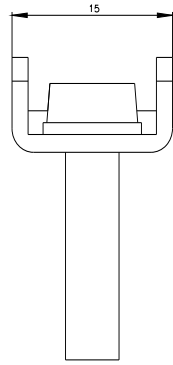
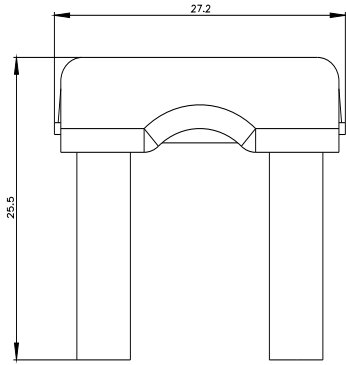
**Industry Mall (Online ordering system)**  
<https://mall.industry.siemens.com/mall/en/en/Catalog/product?mlfb=3NP1931-1BA00>

**Service&Support (Manuals, Certificates, Characteristics, FAQs,...)**  
<https://support.industry.siemens.com/cs/ww/en/ps/3NP1931-1BA00>

**Image database (product images, 2D dimension drawings, 3D models, device circuit diagrams, ...)**  
[http://www.automation.siemens.com/bilddb/cax\\_en.aspx?mlfb=3NP1931-1BA00](http://www.automation.siemens.com/bilddb/cax_en.aspx?mlfb=3NP1931-1BA00)

**CAx-Online-Generator**  
<http://www.siemens.com/cax>

**Tender specifications**  
<http://www.siemens.com/specifications>



---

last modified:

7/30/2022 

