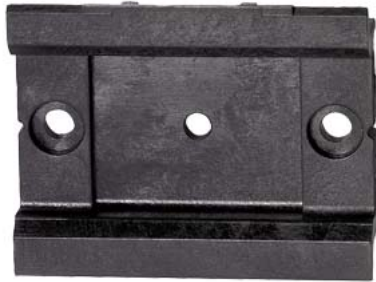


Mounting rail 45 mm for mounting on 3-phase busbars 3RV2917-1/4



suitability for use	circuit-breakers 3RV2	
General technical data		
size of the circuit-breaker	S00, S0	
Substance Prohibitation (Date)	07/01/2006	
Installation/ mounting/ dimensions		
fastening method	screw fixing	
Approvals Certificates		
General Product Approval	Declaration of Conformity	Marine / Shipping

[Confirmation](#)



EG-Konf.



ABS



BUREAU VERITAS

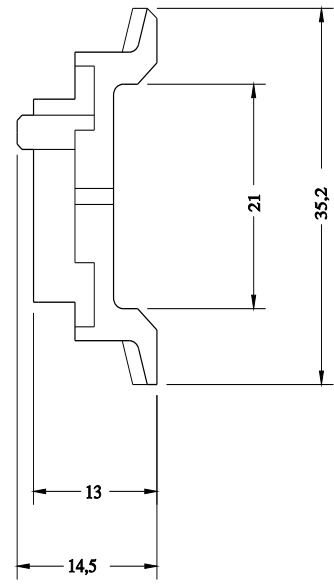
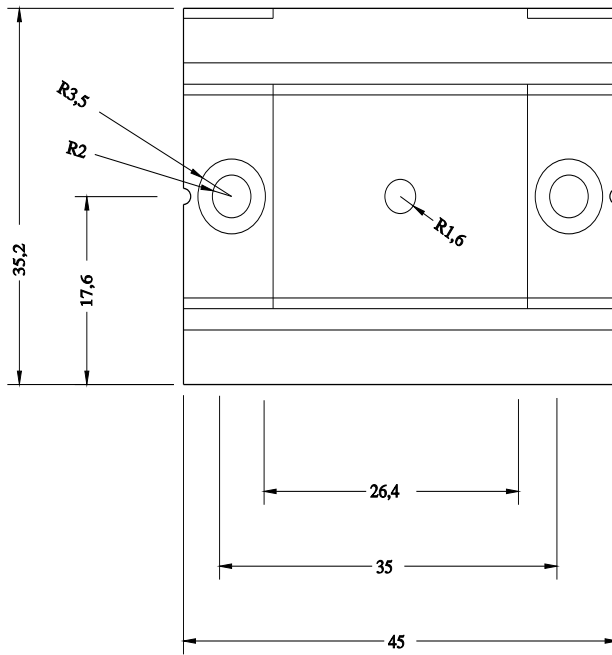


PRS

Marine / Shipping	other
	Confirmation
	VDE

Further information

Siemens has decided to exit the Russian market (see here).
<https://press.siemens.com/global/en/pressrelease/siemens-wind-down-russian-business>
Siemens is working on the renewal of the current EAC certificates.
 Please contact your local Siemens office on the status of validity of the EAC certification if you intend to import or offer to supply these products to an EAC relevant market (other than the sanctioned EAEU member states Russia or Belarus).
Information on the packaging
<https://support.industry.siemens.com/cs/ww/en/view/109813875>
Information- and Downloadcenter (Catalogs, Brochures,...)
<https://www.siemens.com/ic10>
Industry Mall (Online ordering system)
<https://mall.industry.siemens.com/mall/en/en/Catalog/product?mlfb=3RV1917-7B>
Cax online generator
<http://support.automation.siemens.com/WW/CAXorder/default.aspx?lang=en&mlfb=3RV1917-7B>
Service&Support (Manuals, Certificates, Characteristics, FAQs,...)
<https://support.industry.siemens.com/cs/ww/en/ps/3RV1917-7B>
Image database (product images, 2D dimension drawings, 3D models, device circuit diagrams, EPLAN macros, ...)
http://www.automation.siemens.com/bilddb/cax_de.aspx?mlfb=3RV1917-7B&lang=en



last modified:

2/9/2022 