





cable connector for circuit breaker Size S0 with screw terminal (individual unit packaging)



suitability for use	circuit-breakers 3RV2
General technical data	
size of the circuit-breaker	S0
Substance Prohibition (Date)	07/01/2006
number of poles for main current circuit	3
operational current rated value	32 A
Safety related data	
protection class IP on the front according to IEC 60529	IP20
touch protection on the front according to IEC 60529	finger-safe, for vertical contact from the front
Connections/ Terminals	
type of electrical connection for main current circuit	plug-in without terminals

Approvals Certificates

General Product Approval	Declaration of Conformity	Test Certificates
 Confirmation	 	 Special Test Certificate

Marine / Shipping



other	Railway	Environment
Confirmation		Environmental Confirmations

Further information

Siemens has decided to exit the Russian market (see here). <https://press.siemens.com/global/en/pressrelease/siemens-wind-down-russian-business>

Siemens is working on the renewal of the current EAC certificates. Please contact your local Siemens office on the status of validity of the EAC certification if you intend to import or offer to supply these products to an EAC relevant market (other than the sanctioned EAEU member states Russia or Belarus).

Information on the packaging <https://support.industry.siemens.com/cs/ww/en/view/109813875>

Information- and Downloadcenter (Catalogs, Brochures,...)

<https://www.siemens.com/ic10>

Industry Mall (Online ordering system)

<https://mall.industry.siemens.com/mall/en/en/Catalog/product?mlfb=3RV1927-5AA00>

Cax online generator

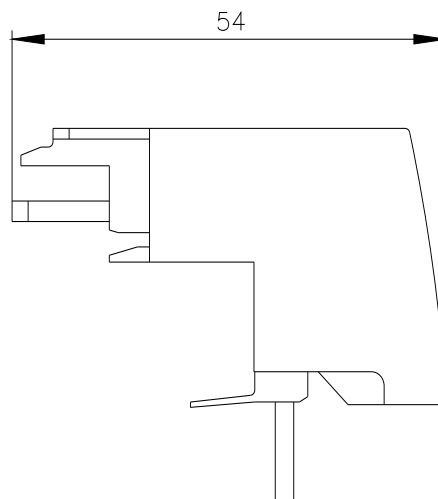
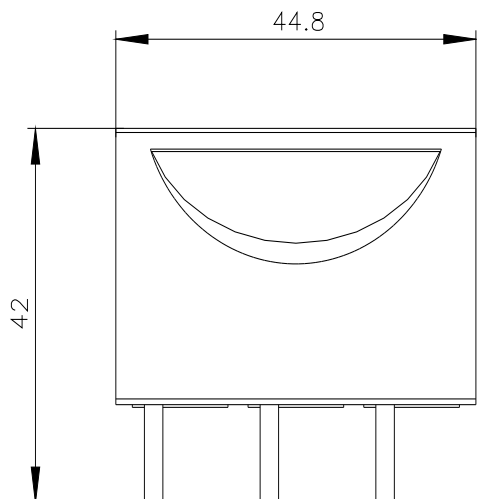
<http://support.automation.siemens.com/WWW/CAXorder/default.aspx?lang=en&mlfb=3RV1927-5AA00>

Service&Support (Manuals, Certificates, Characteristics, FAQs,...)

<https://support.industry.siemens.com/cs/ww/en/ps/3RV1927-5AA00>

Image database (product images, 2D dimension drawings, 3D models, device circuit diagrams, EPLAN macros, ...)

http://www.automation.siemens.com/bilddb/cax_de.aspx?mlfb=3RV1927-5AA00&lang=en



last modified:

2/9/2022 