

Fan for 3RW55 Size 5



Figure similar

| | |
|--------------------------------|-------------|
| product designation | Fans |
| manufacturer's article number | |
| • of soft starter | 3RW555 (3x) |
| Substance Prohibittance (Date) | 10/21/2019 |

| Ambient conditions | |
|------------------------------------|----------------|
| ambient temperature during storage | -40 ... +80 °C |

Certificates/ approvals

| General Product Approval | For use in hazardous locations | Declaration of Conformity | Test Certificates |
|--------------------------|--------------------------------|---------------------------|-------------------|
|--------------------------|--------------------------------|---------------------------|-------------------|

[Confirmation](#)



[Explosion Protection Certificate](#)



[Type Test Certificates/Test Report](#)

| Marine / Shipping | other |
|-------------------|-------|
|-------------------|-------|



[Confirmation](#)

Further information

Siemens has decided to exit the Russian market (see here).
<https://press.siemens.com/global/en/pressrelease/siemens-wind-down-russian-business>

Siemens is working on the renewal of the current EAC certificates.
 Please contact your local Siemens office on the status of validity of the EAC certification if you intend to import or offer to supply these products to an EAC relevant market (other than the sanctioned EAEU member states Russia or Belarus).

Information on the packaging
<https://support.industry.siemens.com/cs/ww/en/view/109813875>

Information- and Downloadcenter (Catalogs, Brochures,...)
<https://www.siemens.com/ic10>

Industry Mall (Online ordering system)
<https://mall.industry.siemens.com/mall/en/en/Catalog/product?mlfb=3RW5985-0FF00>

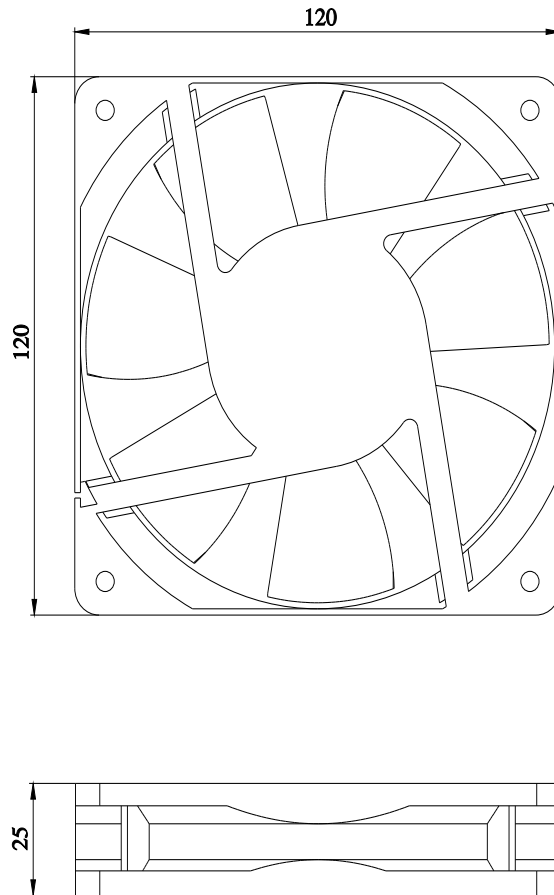
Cax online generator
<https://support.automation.siemens.com/WWW/CAXorder/default.aspx?lang=en&mlfb=3RW5985-0FF00>

Service&Support (Manuals, Certificates, Characteristics, FAQs,...)
<https://support.industry.siemens.com/cs/ww/en/ps/3RW5985-0FF00>

Image database (product images, 2D dimension drawings, 3D models, device circuit diagrams, EPLAN macros, ...)
http://www.automation.siemens.com/bilddb/cax_de.aspx?mlfb=3RW5985-0FF00&lang=en

Characteristic: Tripping characteristics, I_t, Let-through current
<https://support.industry.siemens.com/cs/ww/en/ps/3RW5985-0FF00/char>

Characteristic: Installation altitude
<http://www.automation.siemens.com/bilddb/index.aspx?view=Search&mlfb=3RW5985-0FF00&objecttype=14&gridview=view1>



last modified:

1/18/2021 

