



cable-operated switch with emergency stop metal enclosure IP67, yellow cover, 3 xM20 x1.5; slow-action contacts 1 NO+3 NC; latching according to EN ISO 13850, with rotate-to-unlatch mechanism, for cable lengths up to 75 m

General technical data	
product function EMERGENCY STOP function	Yes
product component light source	No
insulation voltage rated value	250 V
degree of pollution	class 3
surge voltage resistance rated value	2.5 kV
protection class IP	IP67
mechanical service life (operating cycles) typical	100 000
thermal current	2 A
reference code according to IEC 81346-2	S
continuous current of the DIAZED fuse link gG	2 A
Substance Prohibitance (Date)	07/01/2006
Ambient conditions	
ambient temperature during operation	-25 ... +70 °C
number of NC contacts for auxiliary contacts	3
number of NO contacts for auxiliary contacts	1
operational current at AC-15	
• at 240 V rated value	6 A
operational current at DC-13	
• at 24 V rated value	2 A
• at 250 V rated value	0.25 A
Enclosure	
material of the enclosure	metal
material of the enclosure cover	Plastic
product component EMERGENCY STOP device	Yes
color	
• of the enclosure	black
• of the enclosure top part	yellow
coating of the enclosure	painted
Display	
product function status display	Yes
circuit principle	Slow-action function
material of the contact	Silver
number of switching contacts safety-related	3
cable entry type	3x M20 x 1,5
Installation/ mounting/ dimensions	
fastening method	screw fixing
height	201 mm
width	67 mm
depth	83 mm

## Connections/ Terminals

<b>type of electrical connection</b>	screw-type terminals
<b>type of connectable conductor cross-sections</b>	
<ul style="list-style-type: none"> <li>• solid</li> </ul>	2x (0.5 ... 2.5 mm <sup>2</sup> )
<ul style="list-style-type: none"> <li>• finely stranded with core end processing</li> </ul>	2x (0.5 ... 2.5 mm <sup>2</sup> )
<ul style="list-style-type: none"> <li>• for AWG cables solid</li> </ul>	2x (20 ... 14)
<ul style="list-style-type: none"> <li>• for AWG cables stranded</li> </ul>	2x (20 ... 14)

## Safety related data

B10 value with high demand rate according to SN 31920	100 000
proportion of dangerous failures with high demand rate according to SN 31920	50 %

## Certificates/ approvals

General Product Approval	Marine / Shipping
--------------------------	-------------------



[Confirmation](#)



Marine / Shipping	other
-------------------	-------



[Confirmation](#)

## Further information

**Siemens has decided to exit the Russian market (see here).**

<https://press.siemens.com/global/en/pressrelease/siemens-wind-down-russian-business>

**Siemens is working on the renewal of the current EAC certificates.**

Please contact your local Siemens office on the status of validity of the EAC certification if you intend to import or offer to supply these products to an EAC relevant market (other than the sanctioned EAEU member states Russia or Belarus).

**Information on the packaging**

<https://support.industry.siemens.com/cs/ww/en/view/109813875>

**Information- and Downloadcenter (Catalogs, Brochures,...)**

<https://www.siemens.com/ic10>

**Industry Mall (Online ordering system)**

<https://mall.industry.siemens.com/mall/en/en/Catalog/product?mlfb=3SE7141-1EG10-0CA1>

**Cax online generator**

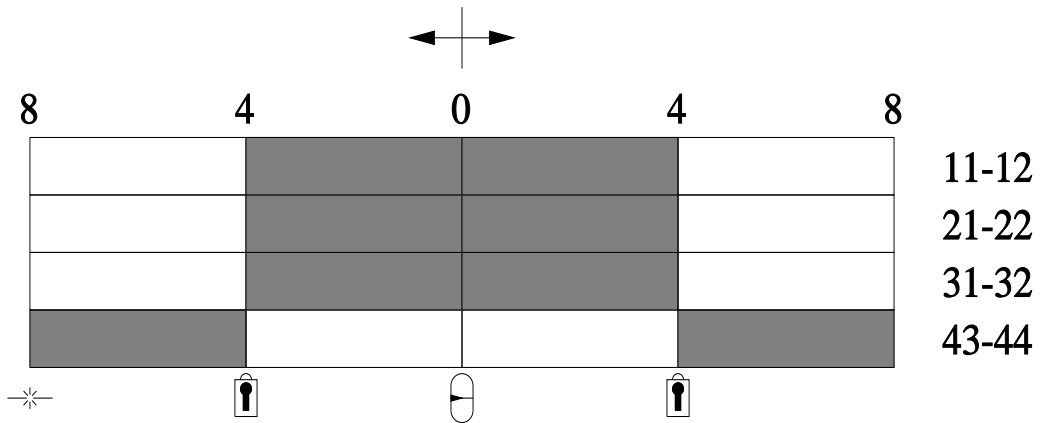
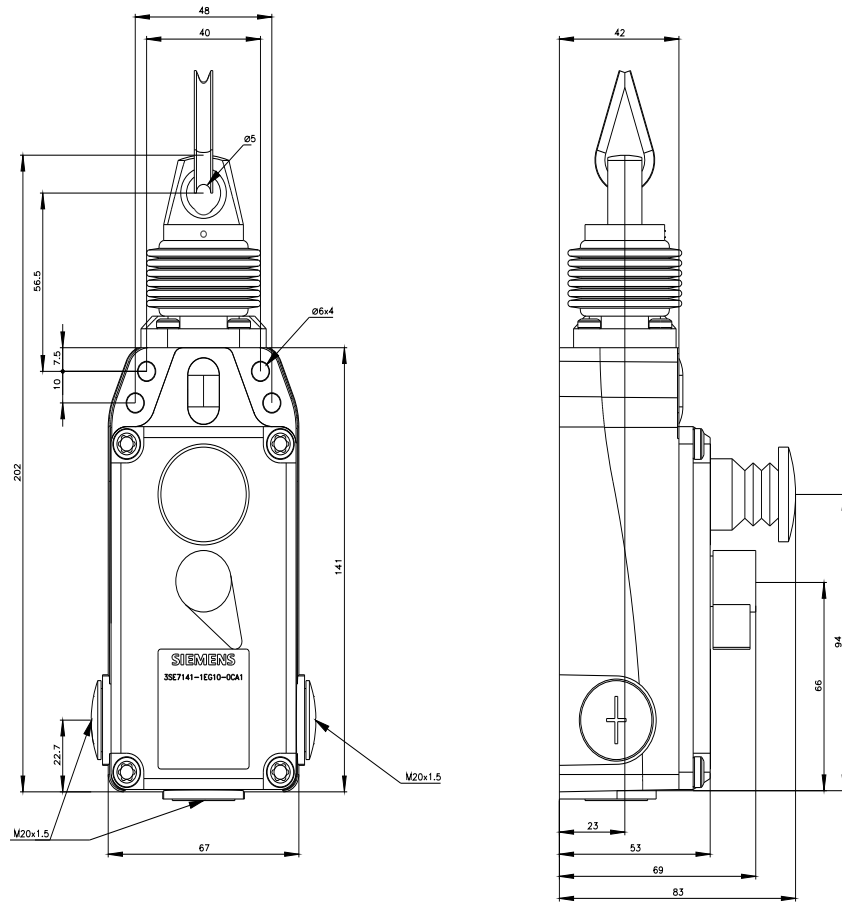
<http://support.automation.siemens.com/WW/CAXorder/default.aspx?lang=en&mlfb=3SE7141-1EG10-0CA1>

**Service&Support (Manuals, Certificates, Characteristics, FAQs,...)**


<https://support.industry.siemens.com/cs/ww/en/ps/3SE7141-1EG10-0CA1>


**Image database (product images, 2D dimension drawings, 3D models, device circuit diagrams, EPLAN macros, ...)**

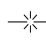
[http://www.automation.siemens.com/bilddb/cax\\_de.aspx?mlfb=3SE7141-1EG10-0CA1&lang=en](http://www.automation.siemens.com/bilddb/cax_de.aspx?mlfb=3SE7141-1EG10-0CA1&lang=en)



 Verriegelung / Locking

 Betätigungsrichtung / Travel

 Mittelstellung / Middle position

 Seilriss / Rope rip

 Schaltglied geschlossen / Contact element closed

 Schaltglied geöffnet / Contact element open

